

Series 2000T Terrace Door

Swing Open High
Performance with
an Elegant Style



Glass House, Denver, CO
Architect: The Preston Partnership, LLC, Atlanta, GA
Glazing Contractor: El Paso Glass – Denver, Inc., Aurora, CO

Kawneer has designed the Series 2000T Terrace Door to frame the view with pleasing interior aesthetics and provide a practical barrier against the elements while securing valuables. The design solution comes in an affordable package that includes precise engineering, quality high performance components and hardware, impact resistance, durability and elegance, topped off with a wide range of hardware options and finishes. And because the surrounding construction must be equally versatile, 2000T easily integrates into Kawneer framing systems and curtain walls for a single-source solution.

Aesthetics

With levers and finishes that blend into any décor, 2000T looks pleasing from both the interior and exterior. A contemporary level handle is available in three finish options: Polished Brass, Brushed Chrome and Rustic Umber. A multi-point locking system includes a latch lock and dead bolt combination, with swing bolt and shoot bolt options. To provide sturdy protection against weather and use, door rails and stiles are 2-1/4" deep. Nominal wall thickness is 0.125" and the 2000T door rails can accommodate infills from 1/4 to 1-1/8 inches.

The door's design allows dual color options, which can complement the decorating taste of individual owners. 2000T is available with double or single leaves and can swing in or swing out, to suit a wide spectrum of space dimensions and design requirements. Other options include a heavy-duty, concealed, stainless steel doorstop, and a surface mounted door closer.

Performance

To provide low thermal transmittance and high condensation resistance, 2000T Terrace Doors and frames include an ISOWEB® thermal break, which consists of two parallel, glass-reinforced, nylon strips. These thermal breaks are installed continuously along the length of the door and frame members to provide higher insulating qualities and occupant comfort in all types of weather.

The Series 2000T Terrace Door is tested in accordance with:

- AAMA/WDMA/CSA 101/ I.S.2/A440 and NAFS
- AAMA 1503 for Thermal Transmittance and Condensation Resistance, as well as NFRC 100 and CAN/CSA A440.

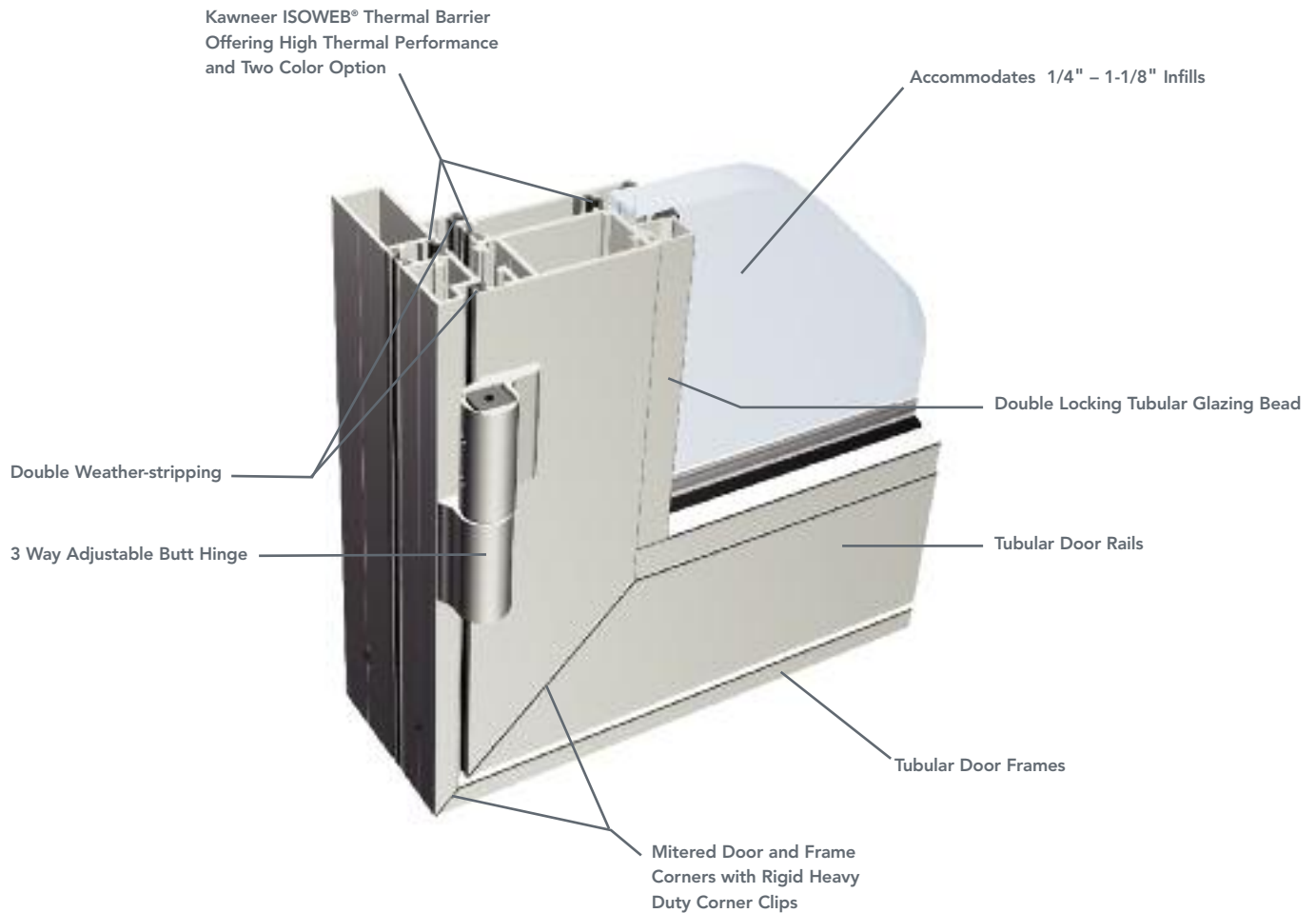
2000T Terrace Door provides protection from wind-borne debris in both high-rise and low-rise buildings. For more information on the 2000T Terrace Door's impact resistant capabilities, contact the Kawneer area engineering support.

For the Finishing Touch

Architectural Class I anodized aluminum finishes are available in clear and Permanodic® color choices.

Painted Finishes, including fluoropolymer, that meet AAMA 2605 are offered in many standard choices and an unlimited number of specially-designed colors.

Solvent-free powder coatings add the green element with high performance, durability and scratch resistance that meet the standards of AAMA 2604.



Kawneer Company, Inc.
Technology Park / Atlanta
555 Guthridge Court
Norcross, GA 30092

kawneer.com
kawneergreen.com
770 . 449 . 5555

