


2000 Skylight

The Sky Above in a Fully-Engineered and Fabricated Package



Carrefour Laval, Laval, Quebec, Canada
Architect: Frank McGrath Architects, Saint-Lambert, Quebec, Canada
Glazing Contractor: Chatelle et Simard, Lachine, Quebec, Canada

The high costs of fabrication and complicated installation are no longer major obstacles to bringing the beauty and illumination of the sky indoors. Kawneer's 2000 Skylight is supplied as a fully-engineered and fabricated package so on-site installation is easier than ever before. 2000 Skylight is a high-performance, low-cost system engineered to be self supporting. Performance certified to withstand both winter and summer conditions, 2000 Skylight offers a piece of the sky in numerous configurations, in finishes to your specifications.

Kawneer 2000 Skylight – A perfect cap to your next daylighting project.

Aesthetics

With day and night views that add drama, 2000 Skylight allows natural light and opens up any space. Architects can achieve creative versatility with the many types of Kawneer 2000 Skylights. Available in slope construction, ridge systems, ridge/gables systems, ridge/slope gables, and pyramid configurations, Kawneer 2000 Skylights are engineered to be self-supporting whether they are applied in a sloped glazed area or mounted on a roof.



A thermal break allows for dual color options on inside and outside. The system has a flush grid exterior with a 2-1/2" sightline. An optional structural silicone glazed purlin (SSG) is available. The purlins and rafters accept a variety of glazing options. The mullion width for the 2000 Skylight is 2-1/2" with an overall depth of 3", 4-1/2", or 5-3/4 inches.

Economy

2000 Skylight is fully fabricated and shipped knocked down to make on site installation easier, decreasing labor costs and reducing construction times. Simple overlap connections allow for quicker installation. When economy for a project is paramount, 2000 Skylight is the optimal choice.

Performance

2000 Skylight has been tested in accordance with ASTM procedures for air and water performance and CSA standards for structural performance. The performance results include:

- Air infiltration per ASTM E283: 0.06 cfm/ft² (0.0003 m³/s x m³) data pressure differential of 6.24 psf (300 Pa)
- Water penetration per ASTM E547: pressure differential of 12 psf (576 Pa)
- Condensation temperature index per CSA A44-00: If = 59.8, Ig = 54.5 (clear glass)
- Structural performance per ASTM E330

A drainage system in the rafters and purlins allows moisture to be channeled to a continuous sill gutter for drainage to the exterior. An insulating thermal break is placed to the exterior of the glass plane to minimize heat loss and condensation.

Other features of 2000 Skylight include:

- Pressure equalized rain screen design
- "Shingled" internal channels for positive drainage
- Integral purlin condensation gutters with optional rafter condensation gutters
- Tremco VISIONstrip® exterior glazing system
- Interior elastomeric glazing gaskets
- Three rafter depths for efficient structural design
- Optional roll formed steel reinforcing channels
- Veneer type mullion for use with steel sub-structure
- Single glazing adapter for exterior canopies
- Accommodates slopes from 20° to 45°
- Full and half compression rings for pyramids and sloped gables
- Accepts 1" sealed units
- Accommodates 1/4" monolithic glass for canopy applications
- Glazed from exterior



Carrefour Laval, Laval, Quebec, Canada

Architect: Frank McGrath Architects, Saint-Lambert, Quebec, Canada

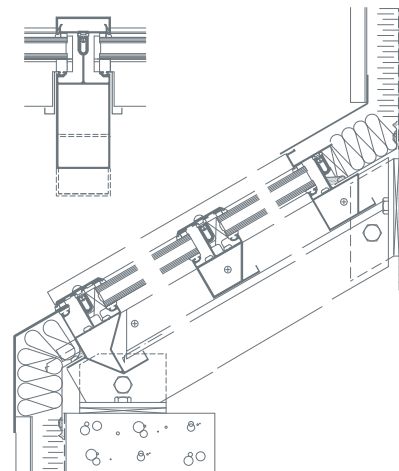
Glazing Contractor: Chatelle et Simard, Lachine, Quebec, Canada

For the Finishing Touch

Permadonic Anodized finishes are available in Class I and Class II in seven different colors.

Painted Finishes, including fluoropolymer that meet or exceed AAMA 2605, are offered in many standard choices and an unlimited number of specially-designed colors.

Solvent-free powder coatings add the "green" element with high performance, durability and scratch resistance that meet the standards of AAMA 2604.



Kawneer Company, Inc.
Technology Park / Atlanta
555 Guthridge Court
Norcross, GA 30092

kawneer.com
770 . 449 . 5555

