

**Features**

- Interior sliding mall front with parallel stacking capability
- Multi-track or single track with flush or surface mounted tracks
- Stainless steel cap on sill track
- Heavy duty tandem roller assembly
- Friction reducing slide buttons at the head of each vertical stile
- Companion fixed lights
- Narrow stile 190 egress doors
- Factory fabricated, shipped knocked-down for local assembly
- Structurally glazed with 1/4" (6.4 mm) glass

Laws and building and safety codes governing the design and use of glazed entrance, window, and curtain wall products vary widely. Kawneer does not control the selection of product configurations, operating hardware, or glazing materials, and assumes no responsibility therefor.

Kawneer reserves the right to change configuration without prior notice when deemed necessary for product improvement.  
© Kawneer Company, Inc., 2010

For specific product applications,  
Consult your Kawneer representative.

Laws and building and safety codes governing the design and use of glazed entrance, window, and curtain wall products vary widely. Kawneer does not control the selection of product configurations, operating hardware, or glazing materials, and assumes no responsibility therefor.

Kawneer reserves the right to change configuration without prior notice when deemed necessary for product improvement.  
© Kawneer Company, Inc., 2010

**Architects** - The extrusions and sliding mall front types illustrated in this catalog are standard products for Kawneer. These concepts have been expanded and modified to afford you design freedom. Please contact your Kawneer representative for further assistance.

**PICTORIAL VIEW .....4**  
**ELEVATIONS AND HORIZONTAL DETAILS .....5**  
**VERTICAL DETAILS .....6**  
**SIZE LIMITS, TRACK LAYOUTS, HARDWARE...7**

LAWS AND BUILDING AND SAFETY CODES GOVERNING THE DESIGN AND USE OF GLAZED ENTRANCE, WINDOW, AND CURTAIN WALL PRODUCTS VARY WIDELY. KAWNEER DOES NOT CONTROL THE SELECTION OF PRODUCT CONFIGURATIONS, OPERATING HARDWARE, OR GLAZING MATERIALS, AND ASSUMES NO RESPONSIBILITY THEREFOR.

Metric (SI) conversion figures are included throughout these details for reference. Numbers in parentheses ( ) are millimeters unless otherwise noted.

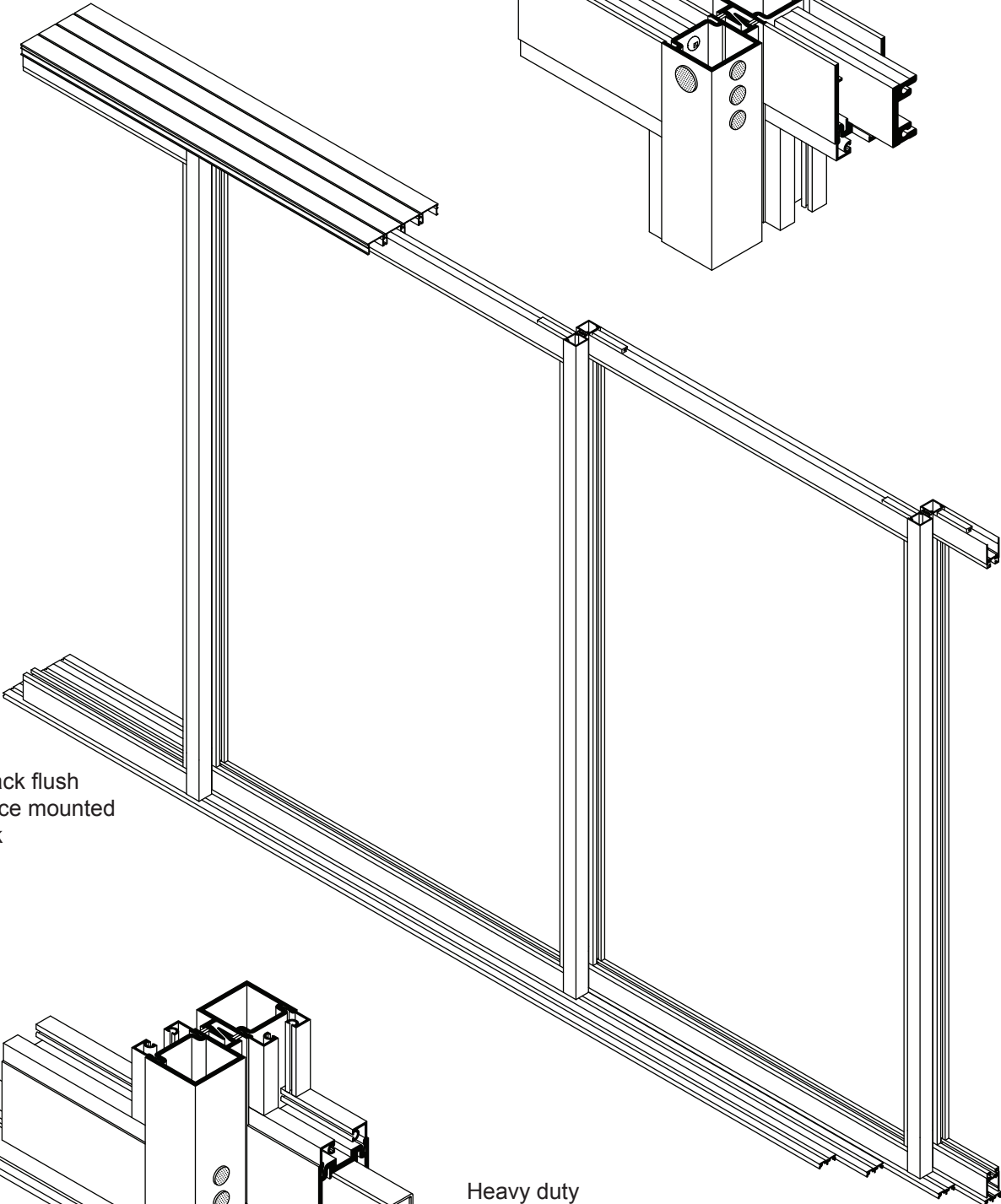
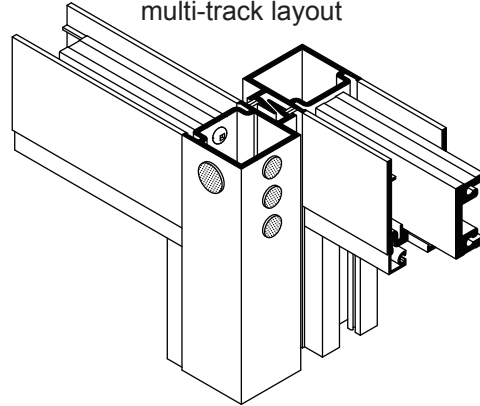
The following metric (SI ) units are found in these details:

- m – meter
- cm – centimeter
- mm – millimeter
- s – second
- Pa – pascal
- MPa – megapascal

Laws and building and safety codes governing the design and use of glazed entrance, window, and curtain wall products vary widely. Kawneer does not control the selection of product configurations, operating hardware, or glazing materials, and assumes no responsibility therefor.

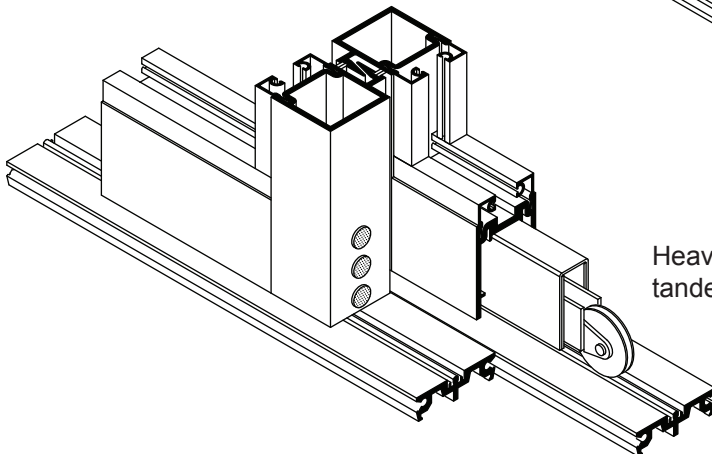
Kawneer reserves the right to change configuration without prior notice when deemed necessary for product improvement.  
© Kawneer Company, Inc., 2010

Interlocking stile on multi-track layout



Multi-track flush or surface mounted sill track

Heavy duty tandem roller



Laws and building and safety codes governing the design and use of glazed entrance, window, and curtain wall products vary widely. Kawneer does not control the selection of product configurations, operating hardware, or glazing materials, and assumes no responsibility therefor.

Kawneer reserves the right to change configuration without prior notice when deemed necessary for product improvement.

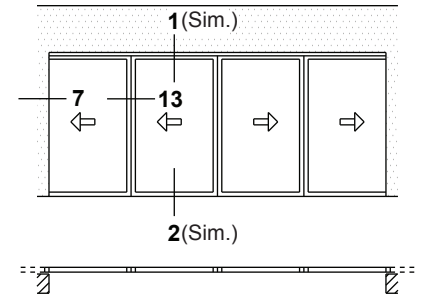
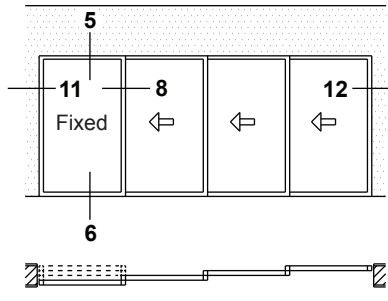
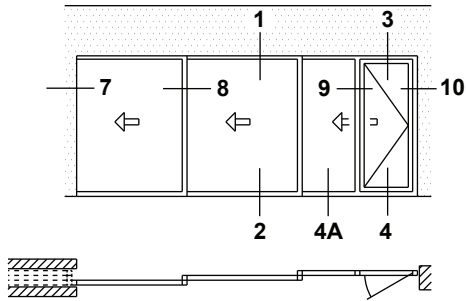
© Kawneer Company, Inc., 2010

SCALE 3"=1'-0"

### MULTI TRACK - STACK IN POCKET

### MULTI TRACK - STACK ONE END

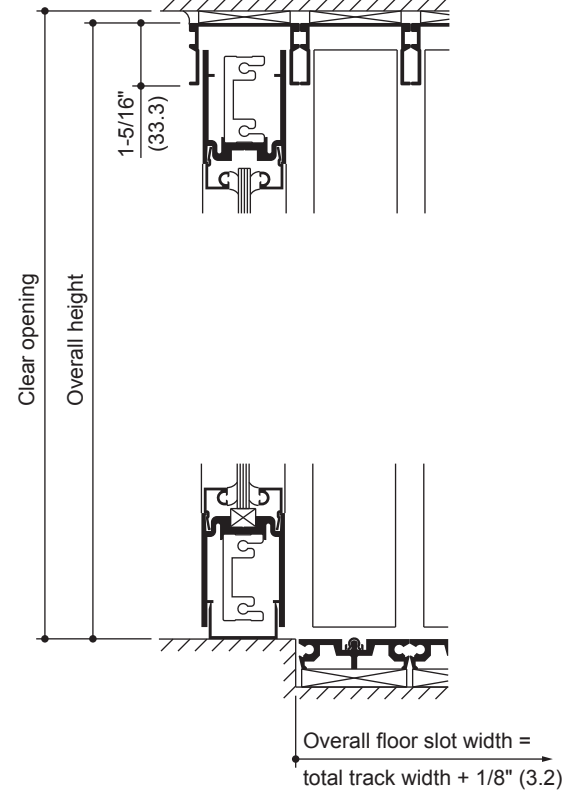
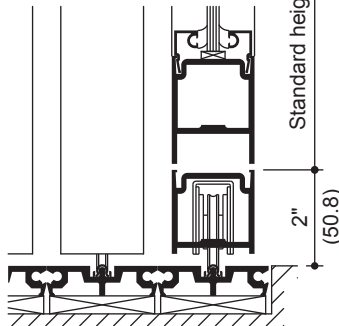
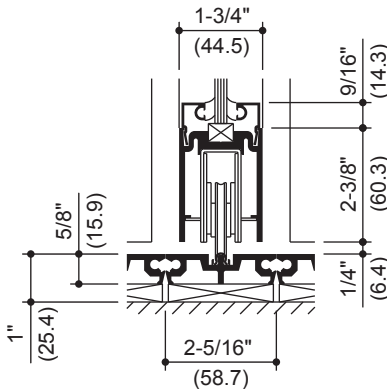
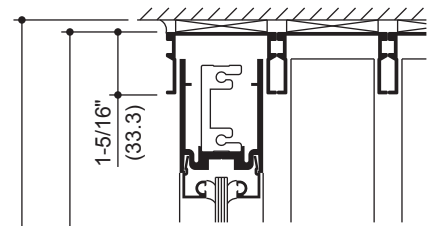
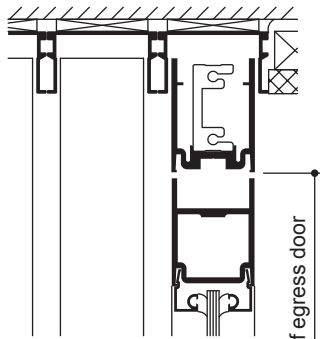
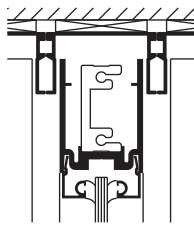
### SINGLE TRACK - STACK BOTH ENDS



1 HEAD

3 HEAD AT EGRESS DOOR

5 HEAD AT FIXED PANEL



2 SILL

4 SILL AT EGRESS DOOR

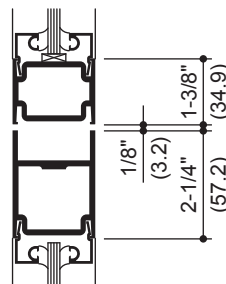
4A SILL AS ABOVE BUT WITH GLASS STOPS AND NO EGRESS DOOR

6 SILL AT FIXED PANEL

NOTE: EGRESS DOOR MUST BE MOUNTED IN INNERMOST PANEL.



INTERMEDIATE HORIZONTAL AT EGRESS DOOR



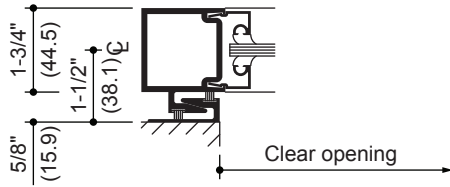
ALTERNATE SURFACE MOUNTED TRACK

NOTE: MAXIMUM ALLOWABLE DEFLECTION OF STRUCTURE WITH STANDARD HEAD TRACK IS 1/4" (6.4). FOR DEFLECTIONS GREATER THAN 1/4" (6.4) CONTACT FACTORY.

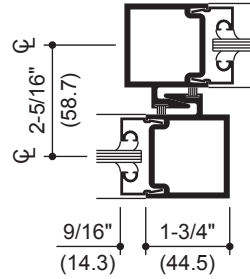
Laws and building and safety codes governing the design and use of glazed entrance, window, and curtain wall products vary widely. Kawneer does not control the selection of product configurations, operating hardware, or glazing materials, and assumes no responsibility therefor.

Kawneer reserves the right to change configuration without prior notice when deemed necessary for product improvement.  
© Kawneer Company, Inc., 2010

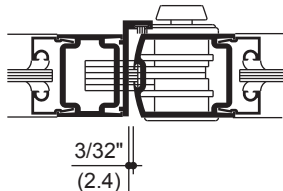
SCALE 3"=1'-0"



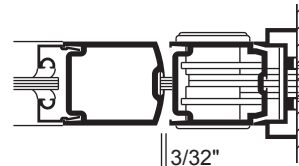
**7**  
JAMB - POCKET STACK



**8**  
INTERLOCK STILE



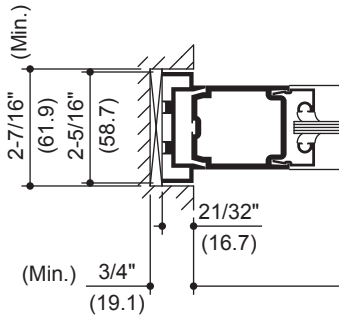
**9**  
EGRESS DOOR LOCK STILE



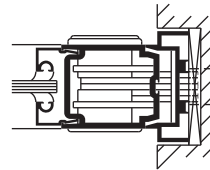
**10**  
EGRESS DOOR PIVOT STILE

Standard width of egress door  
3'-0" (914)

Recess in masonry  
to receive bolt of  
hooklock



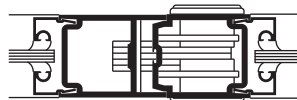
**11**  
FLUSH JAMB - FIXED PANEL



**12**  
FLUSH JAMB - SLIDING PANEL

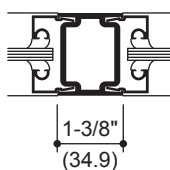
Clear opening

Recess in masonry  
to receive bolt of  
hooklock

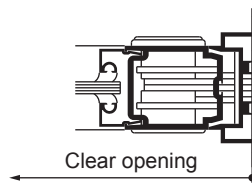


**13**  
LOCK STILE

Adams Rite hooklock  
panel coupler in all  
lock stiles



INTERMEDIATE VERTICAL



**12 (Alt.)**  
SURFACE APPLIED JAMB

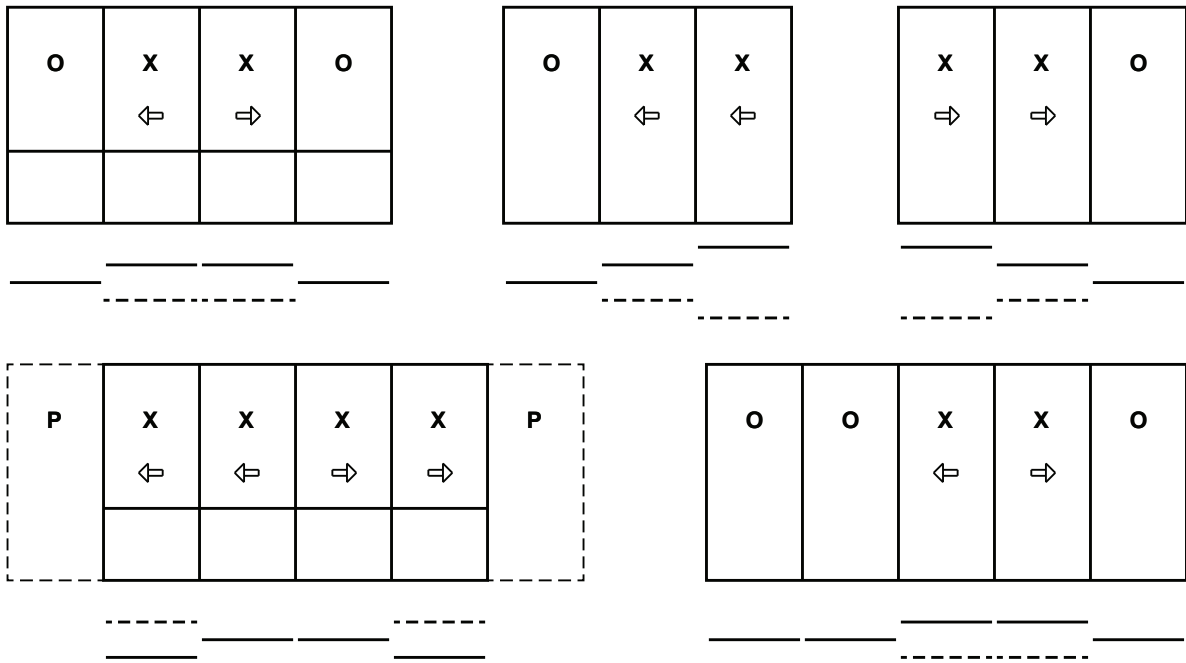
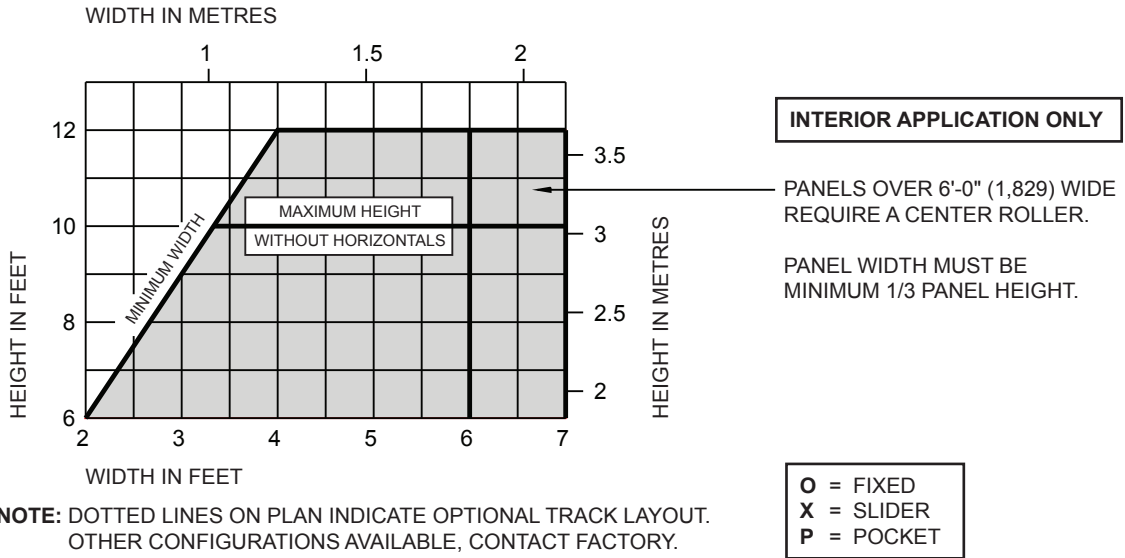
Clear opening

Recess in masonry  
to receive bolt of  
hooklock

Laws and building and safety codes governing the design and use of glazed entrance, window, and curtain wall products vary widely. Kawneer does not control the selection of product configurations, operating hardware, or glazing materials, and assumes no responsibility therefor.

Kawneer reserves the right to change configuration without prior notice when deemed necessary for product improvement.  
© Kawneer Company, Inc., 2010

## PANEL SIZE LIMITATION CHART



**NOTE:** STANDARD SIZE FOR THE OPTIONAL EGRESS DOOR IS 3'-0" (914) WIDE BY 7'-0" (2,134) HIGH. MAXIMUM SIZE FOR THE EGRESS DOOR IS 4'-0" (1,219) WIDE BY 8'-0" (2,438) HIGH. HORIZONTAL AND/OR VERTICAL MEMBERS MAY BE REQUIRED IN PANELS DEPENDING ON PANEL AND EGRESS DOOR SIZE, CONTACT FACTORY.

### HARDWARE

<p><b>PANELS:</b>                  ADAMS RITE MS 1850A-505 hook bolt with cylinder to the exterior and to the interior.                  Exterior flush pulls. (Lead panel only.)</p>	<p><b>EGRESS DOOR:</b>                  Center pivots.                  MS lock with cylinder to exterior and thumbturn to interior.</p>
<p><b>OPTIONAL:</b>                  Cylinder to the exterior and interior.                  Interior flush pulls.                  Flush pulls to the exterior and interior.                  Edge pulls.</p>	<p><b>NOTE:</b>                  EGRESS DOOR MUST BE MOUNTED IN INNERMOST PANEL.</p>

Laws and building and safety codes governing the design and use of glazed entrance, window, and curtain wall products vary widely. Kawneer does not control the selection of product configurations, operating hardware, or glazing materials, and assumes no responsibility therefor.

Kawneer reserves the right to change configuration without prior notice when deemed necessary for product improvement.  
 © Kawneer Company, Inc., 2010

Laws and building and safety codes governing the design and use of glazed entrance, window, and curtain wall products vary widely. Kawneer does not control the selection of product configurations, operating hardware, or glazing materials, and assumes no responsibility therefor.

Kawneer reserves the right to change configuration without prior notice when deemed necessary for product improvement.  
© Kawneer Company, Inc., 2010