

## Features

- High performance ratings for structural, air infiltration and water resistance
- Meets AAMA performance class and grades of *HC60, HC80, HC100 and HC120*
- Meets *South Florida Building Code* and *SBCCI SSTD 12* for Small Missile Impact Resistance
- Forced Entry Resistance tested per *AAMA 1303.5*
- Available as *OX, XO, OOX, XOO, OXO* and *OXXO* configurations
- Optional vertical mullions for additional sidelites
- Accommodates 3/16", 7/32", 1/4", 5/16", 3/8", 1/2", 9/16", 5/8" and 1" infills
- Optional factory glazing (Sliding Panels Only)
- Heavy duty stainless steel casters
- Stainless steel track insert for sliding panels
- Stainless steel MS Hookbolt Lock
- Optional architectural finishes including anodized and applied coatings
- Interior or exterior insect screens

Laws and building and safety codes governing the design and use of glazed entrance, window, and curtain wall products vary widely. Kawneer does not control the selection of product configurations, operating hardware, or glazing materials, and assumes no responsibility therefor.

Kawneer reserves the right to change configuration without prior notice when deemed necessary for product improvement.  
© Kawneer Company, Inc., 2010

Laws and building and safety codes governing the design and use of glazed entrance, window, and curtain wall products vary widely. Kawneer does not control the selection of product configurations, operating hardware, or glazing materials, and assumes no responsibility therefor.

Kawneer reserves the right to change configuration without prior notice when deemed necessary for product improvement.  
© Kawneer Company, Inc., 2010

**ELEVATIONS ..... 4**  
**STANDARD DETAILS ..... 5 thru 7**  
**INSECT SCREENS / INFILL OPTIONS..... 8**  
**HARDWARE OPTIONS ..... 9**  
**WIND LOAD CHARTS..... 10**

Laws and building and safety codes governing the design and use of glazed entrance, window, and curtain wall products vary widely. Kawneer does not control the selection of product configurations, operating hardware, or glazing materials, and assumes no responsibility therefor.

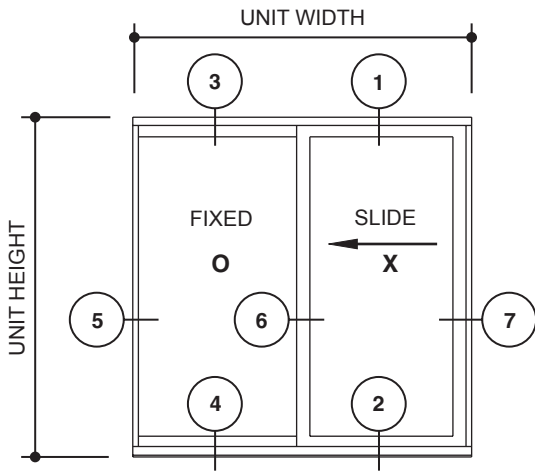
Kawneer reserves the right to change configuration without prior notice when deemed necessary for product improvement.  
© Kawneer Company, Inc., 2010

Metric (SI) conversion figures are included throughout these details for reference. Numbers in parentheses ( ) are millimeters unless otherwise noted.

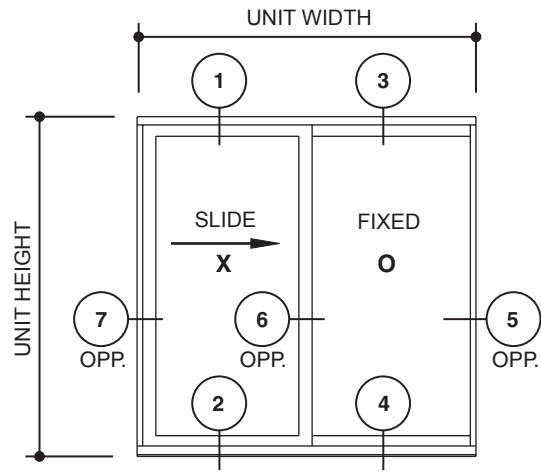
The following metric (SI ) units are found in these details:

- m – meter
- cm – centimeter
- mm – millimeter
- s – second
- Pa – pascal
- MPa – megapascal

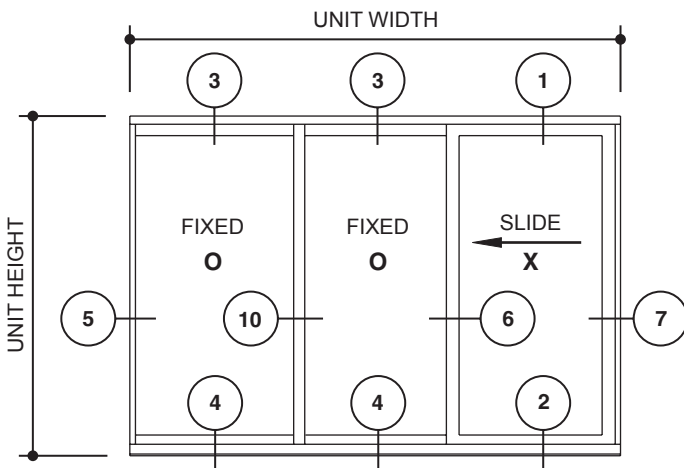
**ELEVATIONS ARE NUMBER KEYED TO DETAILS**



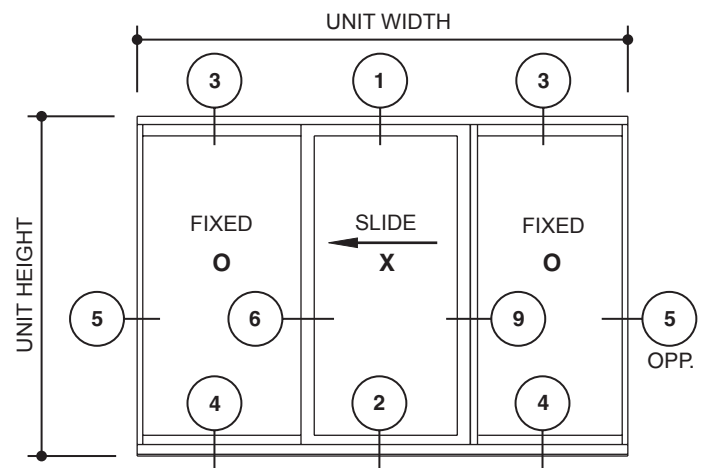
**OX UNIT**



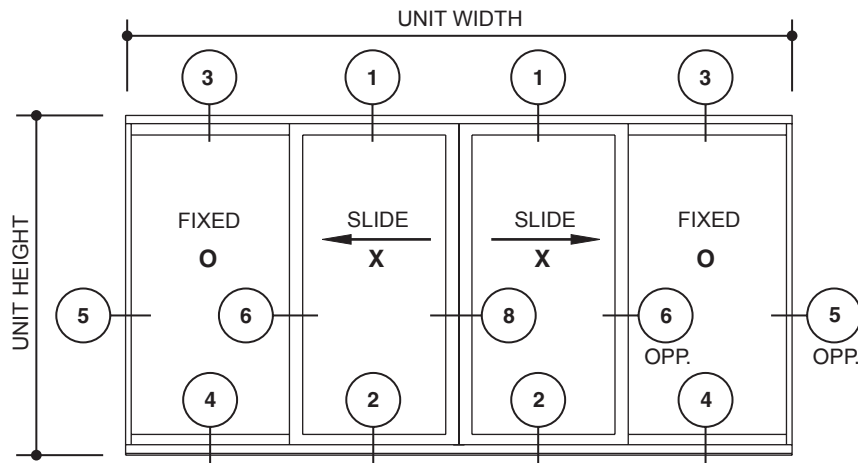
**XO UNIT**



**OOX UNIT**



**OXO UNIT**



**OXXO UNIT**

Laws and building and safety codes governing the design and use of glazed entrance, window, and curtain wall products vary widely. Kawneer does not control the selection of product configurations, operating hardware, or glazing materials, and assumes no responsibility therefor.

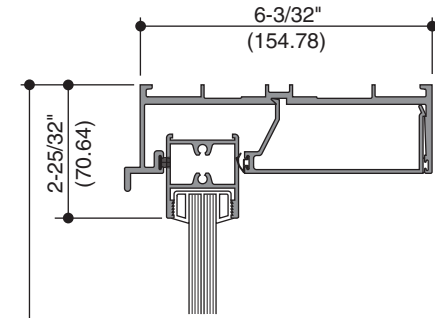
Kawneer reserves the right to change configuration without prior notice when deemed necessary for product improvement.

© Kawneer Company, Inc., 2010

Additional information and CAD details are available at [www.kawneer.com](http://www.kawneer.com)

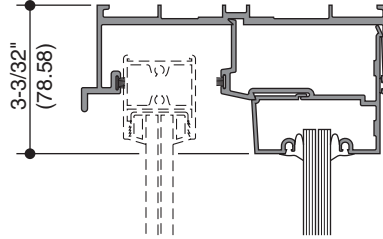
Laws and building and safety codes governing the design and use of glazed entrance, window, and curtain wall products vary widely. Kawneer does not control the selection of product configurations, operating hardware, or glazing materials, and assumes no responsibility therefor.

Kawneer reserves the right to change configuration without prior notice when deemed necessary for product improvement.  
© Kawneer Company, Inc., 2010



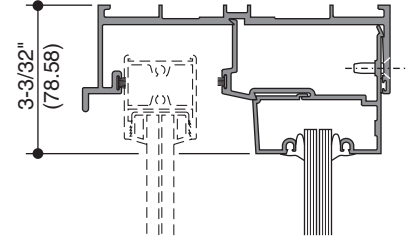
**OPERABLE HEAD**  
(HC60/80/100/120)

1



**FIXED HEAD**  
(HC60)

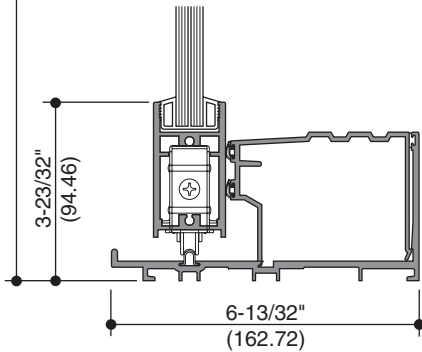
3



**FIXED HEAD**  
(HC80/100/120)

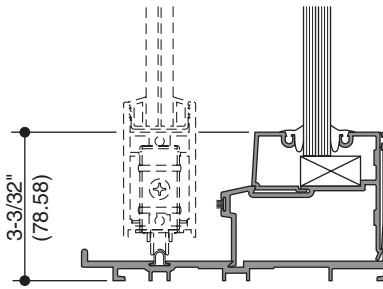
3A

UNIT HEIGHT



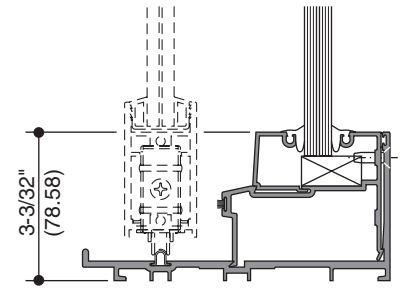
**OPERABLE SILL**  
(HC60/80/100)  
(HC120) OX, XO, OXO Only

2



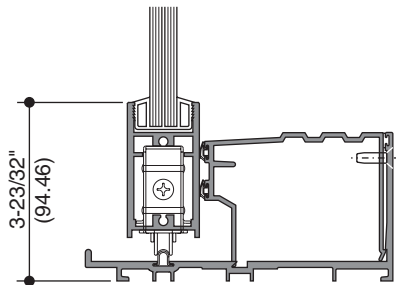
**FIXED SILL**  
(HC60)

4



**FIXED SILL**  
(HC80/100/120)

4A

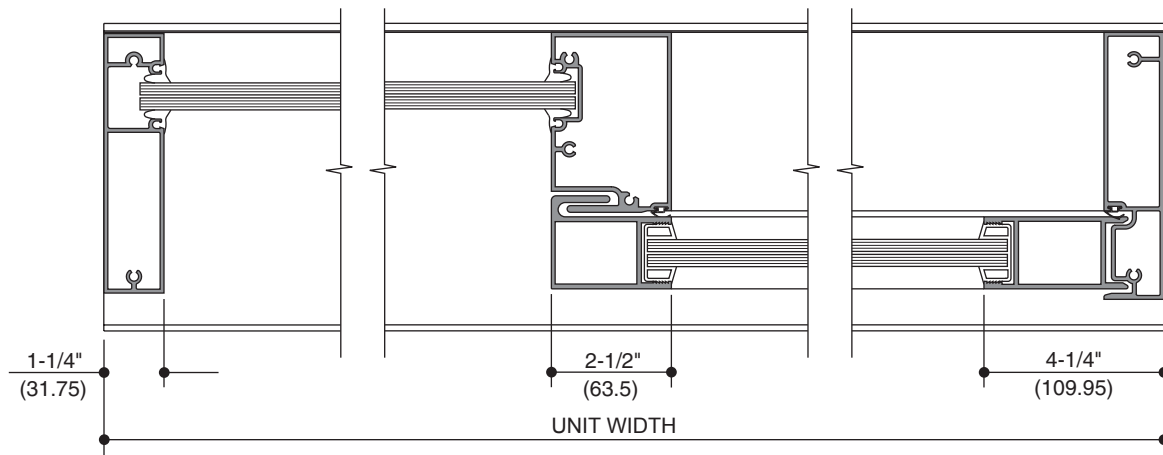


**OPERABLE SILL**  
(HC120) OXXO Only

2A

**NOTE:**  
9/16" INFILL SHOWN.  
FOR ADDITIONAL GLAZING OPTIONS SEE PAGE 8.

Additional information and CAD details are available at [www.kawneer.com](http://www.kawneer.com)



**FIXED JAMB**

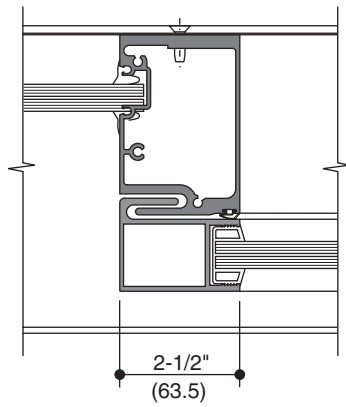
**INTERLOCK STILE  
(HC60)**

**LOCK JAMB**

5

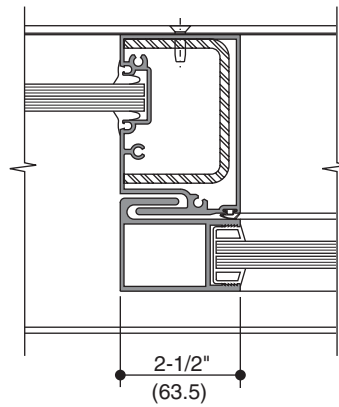
6

7



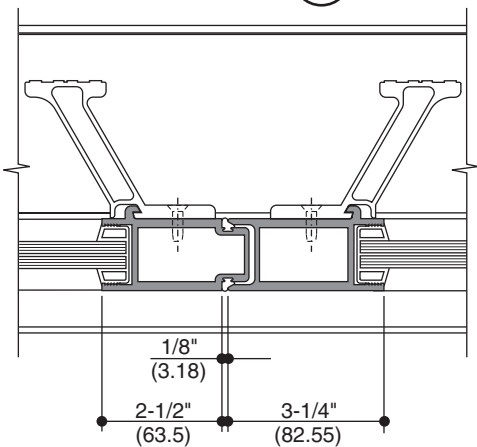
**INTERLOCK STILE  
(HC80/100)**

6A



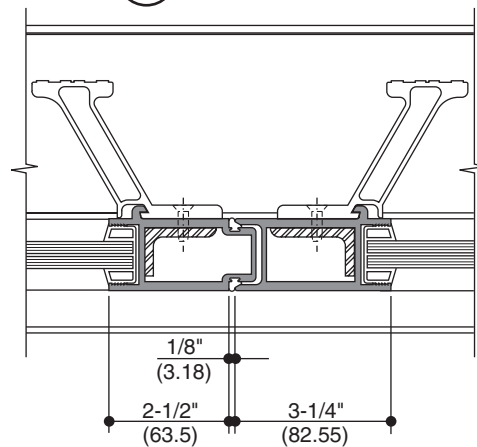
**INTERLOCK STILE  
(HC120)**

6B



**MEETING STILE  
(HC60/80)**

8



**MEETING STILE  
(HC100/120)**

8A

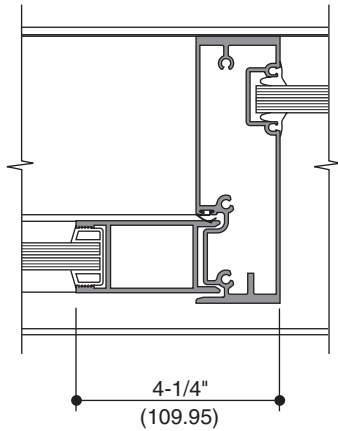
Laws and building and safety codes governing the design and use of glazed entrance, window, and curtain wall products vary widely. Kawneer does not control the selection of product configurations, operating hardware, or glazing materials, and assumes no responsibility therefor.

Kawneer reserves the right to change configuration without prior notice when deemed necessary for product improvement.  
© Kawneer Company, Inc., 2010

Additional information and CAD details are available at [www.kawneer.com](http://www.kawneer.com)

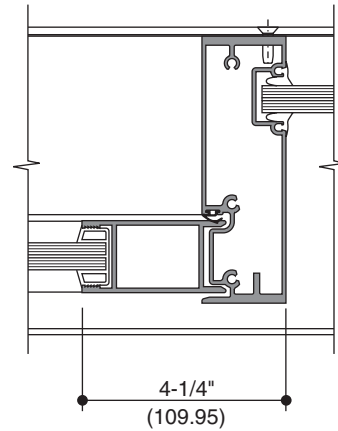
Laws and building and safety codes governing the design and use of glazed entrance, window, and curtain wall products vary widely. Kawneer does not control the selection of product configurations, operating hardware, or glazing materials, and assumes no responsibility therefor.

Kawneer reserves the right to change configuration without prior notice when deemed necessary for product improvement.  
© Kawneer Company, Inc., 2010



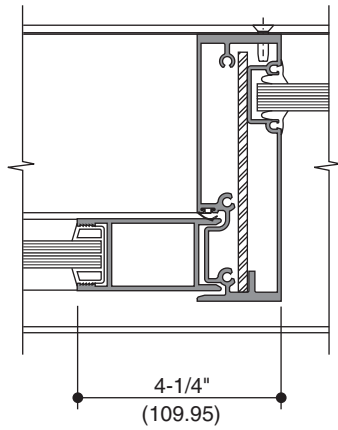
**LOCK STILE MULLION (HC60)**

9



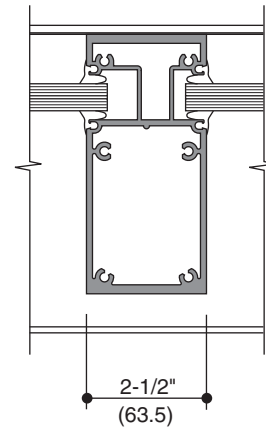
**LOCK STILE MULLION (HC80/100)**

9A



**LOCK STILE MULLION (HC120)**

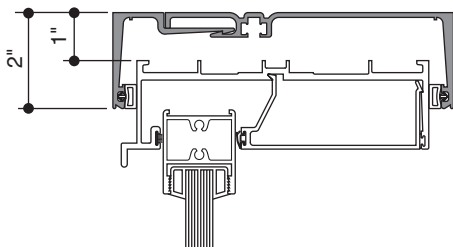
9B



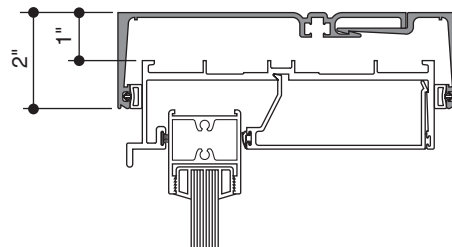
**FIXED MULLION**

10

### OPTIONAL MEMBERS



**HEAD RECEPTOR (EXTERIOR INSTALLED)**

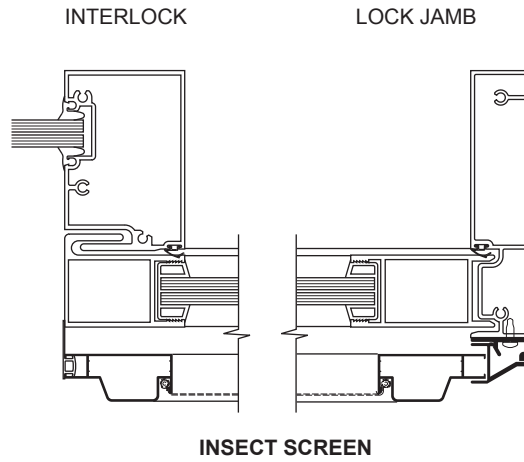
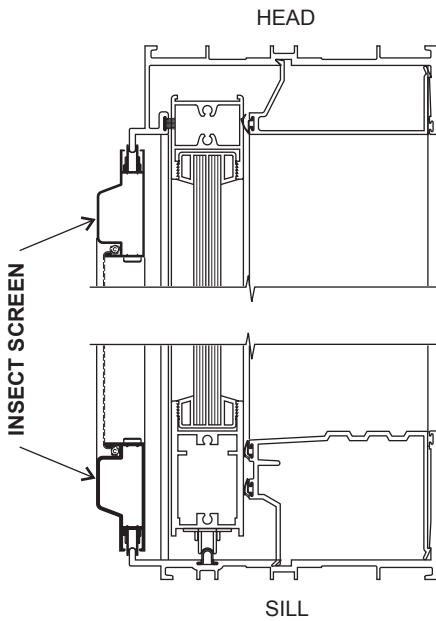


**HEAD RECEPTOR (INTERIOR INSTALLED)**

**NOTE:** Head Receptors *cannot* currently be used with Interior Screens.

Additional information and CAD details are available at [www.kawneer.com](http://www.kawneer.com)

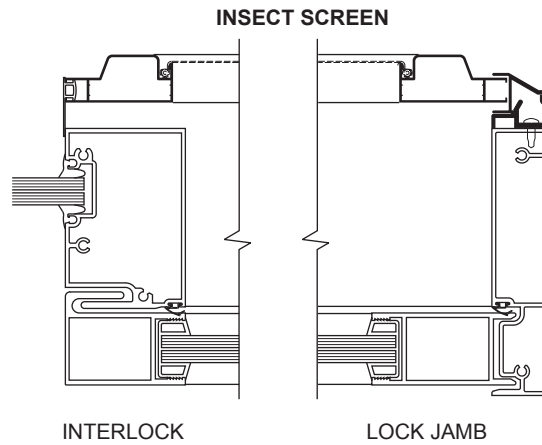
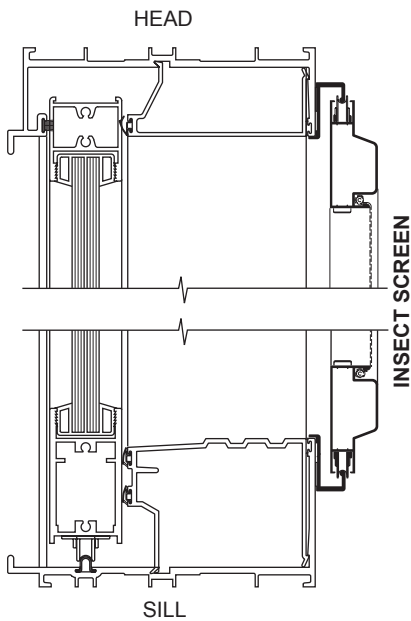
**EXTERIOR SCREENS**



**SCREEN WITH APPLIED CLOSURE FOR SCREEN LATCH**

**NOTE:**  
Standard screen includes plated steel hardware.  
Optional screen available with stainless steel hardware.

**INTERIOR SCREENS**

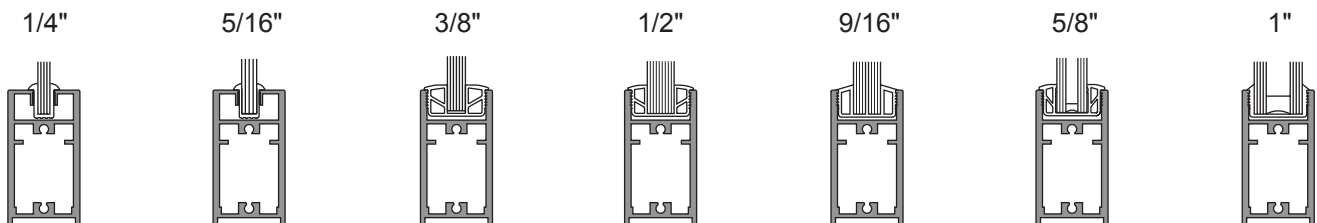


**SCREEN WITH APPLIED CLOSURE FOR SCREEN LATCH**

**NOTE:**  
Standard screen includes plated steel hardware.  
Optional screen available with stainless steel hardware.

**NOTE:**  
Also available with 3/16" and 7/32" infills.

**INFILL OPTIONS**





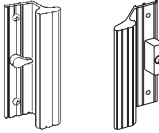
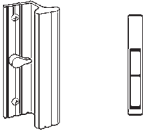
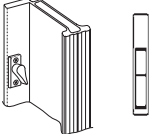
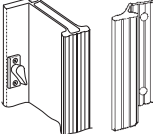
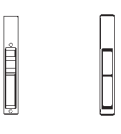
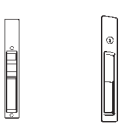
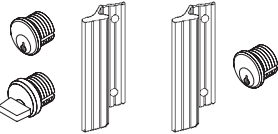
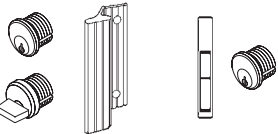
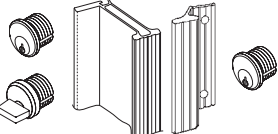
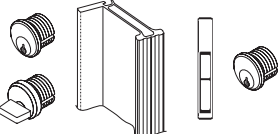
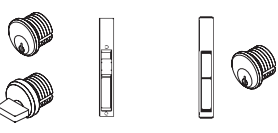
Laws and building and safety codes governing the design and use of glazed entrance, window, and curtain wall products vary widely. Kawneer does not control the selection of product configurations, operating hardware, or glazing materials, and assumes no responsibility therefor.

Kawneer reserves the right to change configuration without prior notice when deemed necessary for product improvement.  
© Kawneer Company, Inc., 2010



Laws and building and safety codes governing the design and use of glazed entrance, window, and curtain wall products vary widely. Kawneer does not control the selection of product configurations, operating hardware, or glazing materials, and assumes no responsibility therefor.

Kawneer reserves the right to change configuration without prior notice when deemed necessary for product improvement.  
© Kawneer Company, Inc., 2010

HARDWARE DESCRIPTION	 AR MS 1847 LOCK	 AR MS 1850A-505 HOOKBOLT
(Interior) Extruded Pull with Thumbturn (Exterior) Extruded Pull with Applied Cylinder or Blank Extruded Pull 	<b>XO, OX, OXO</b>	
(Interior) Extruded Pull with Thumbturn (Exterior) Blank Flush Pull 	<b>XO, OX, OXO</b>	
(Interior) Full Length Extruded Pull with Thumbturn (on Lock Panel) (Exterior) Blank Flush Pull 	<b>OXO</b>	
(Interior) Full Length Extruded Pull with Thumbturn (on Lock Panel) (Exterior) Blank Extruded Pull 	<b>OXO</b>	
(Interior) Flush Pull with Slide Operator (Exterior) Blank Flush Pull 	<b>XO, OX, OXO</b>	
(Interior) Flush Pull with Slide Operator (Exterior) Flush Pull with Cylinder 	<b>XO, OX, OXO</b>	
(Interior) Blank Extruded Pull with Mortise Cylinder or Thumbturn (Exterior) Blank Extruded Pull with Mortise Cylinder 		<b>XO, OX, OXO</b>
(Interior) Blank Extruded Pull with Mortise Cylinder or Thumbturn (Exterior) Blank Flush Pull with Mortise Cylinder 		<b>XO, OX, OXO</b>
(Interior) Full Length Extruded Pull with Mortise Cylinder or Thumbturn (Exterior) Blank Extruded Pull with Mortise Cylinder 		<b>OXO</b>
(Interior) Full Length Extruded Pull with Mortise Cylinder or Thumbturn (Exterior) Blank Flush Pull with Mortise Cylinder 		<b>OXO</b>
(Interior) Dummy Flush Pull with Mortise Cylinder or Thumbturn (Exterior) Blank Flush Pull with Mortise Cylinder 		<b>XO, OX, OXO</b>

**FOR WINDLOAD OR DEADLOAD INFORMATION, PLEASE CONTACT YOUR KAWNEER  
APPLICATION ENGINEERING DEPARTMENT.**

Laws and building and safety codes governing the design and use of glazed entrance, window, and curtain wall products vary widely. Kawneer does not control the selection of product configurations, operating hardware, or glazing materials, and assumes no responsibility therefor.

Kawneer reserves the right to change configuration without prior notice when deemed necessary for product improvement.

© Kawneer Company, Inc., 2010