

Features

- Superior structural and water resistance
- Hurricane Cycle tested to +130/-215 psf design pressures.
- Water resistance exceeds 32 psf.
- Meets *South Florida Building Code* and *SBCCI SSTD 12* for Large and Small Missile Impact Resistance
- Forced Entry Resistance tested per *ASTM F842*
- Available as *OX*, *XO*, *OXO* and *OXXO* configurations
- Accommodates 1/4", 3/8", 9/16", 5/8" and 7/8" infills
- Heavy duty stainless steel casters
- Stainless steel track insert for sliding panels
- Optional factory glazing, both fixed and sliding panels
- Stainless steel MS Hookbolt Lock
- Optional architectural finishes including anodized and applied coatings
- Interior insect screens

Laws and building and safety codes governing the design and use of glazed entrance, window, and curtain wall products vary widely. Kawneer does not control the selection of product configurations, operating hardware, or glazing materials, and assumes no responsibility therefor.

Kawneer reserves the right to change configuration without prior notice when deemed necessary for product improvement.

© Kawneer Company, Inc., 2010

Laws and building and safety codes governing the design and use of glazed entrance, window, and curtain wall products vary widely. Kawneer does not control the selection of product configurations, operating hardware, or glazing materials, and assumes no responsibility therefor.

Kawneer reserves the right to change configuration without prior notice when deemed necessary for product improvement.
© Kawneer Company, Inc., 2010

ELEVATIONS 4
STANDARD DETAILS 5 thru 7
INSECT SCREENS / INFILL OPTIONS..... 8
HARDWARE OPTIONS 9

Laws and building and safety codes governing the design and use of glazed entrance, window, and curtain wall products vary widely. Kawneer does not control the selection of product configurations, operating hardware, or glazing materials, and assumes no responsibility therefor.

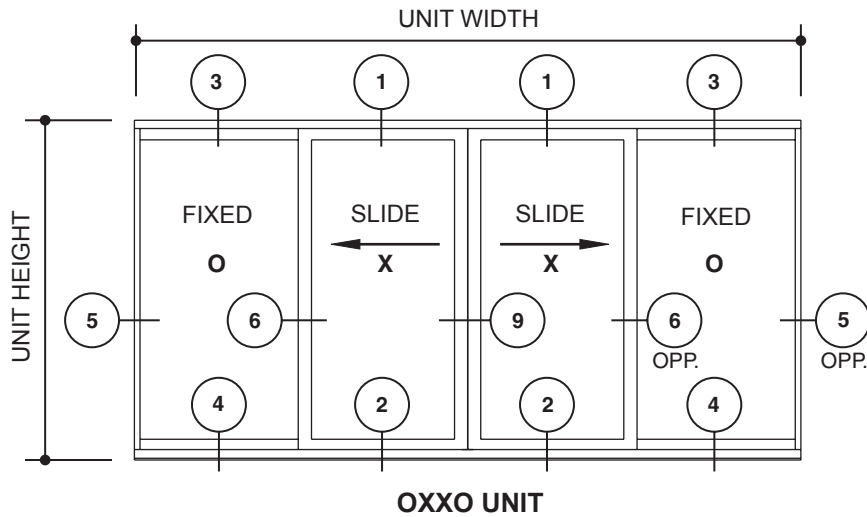
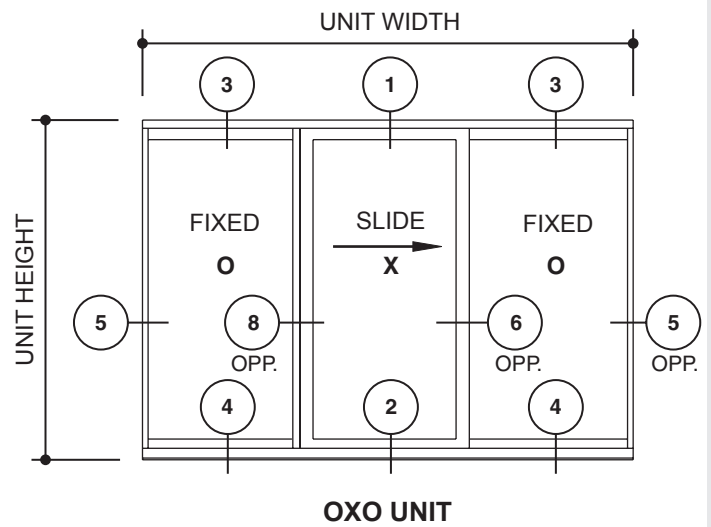
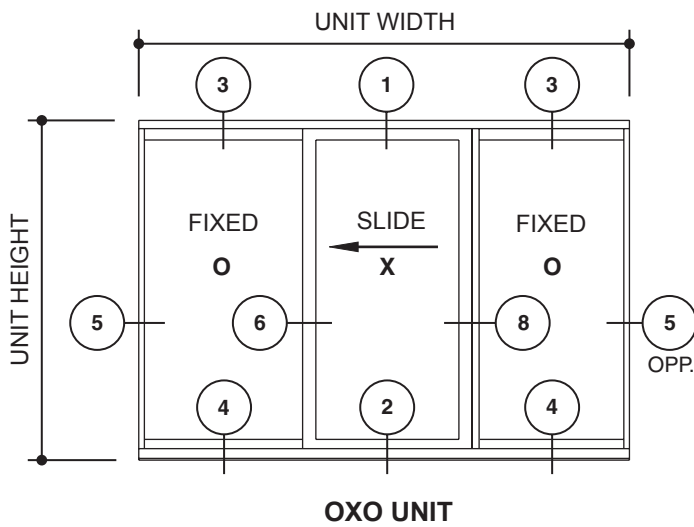
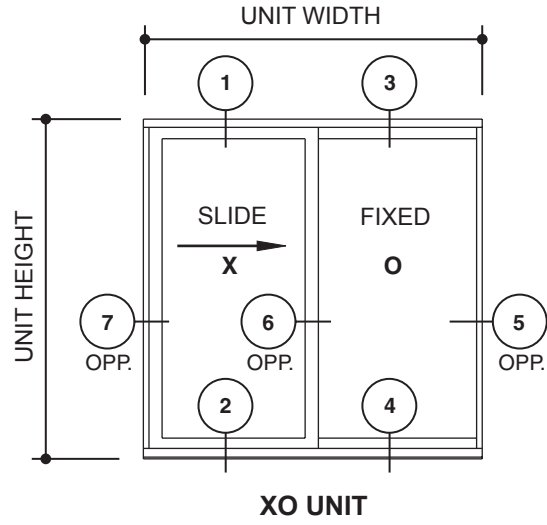
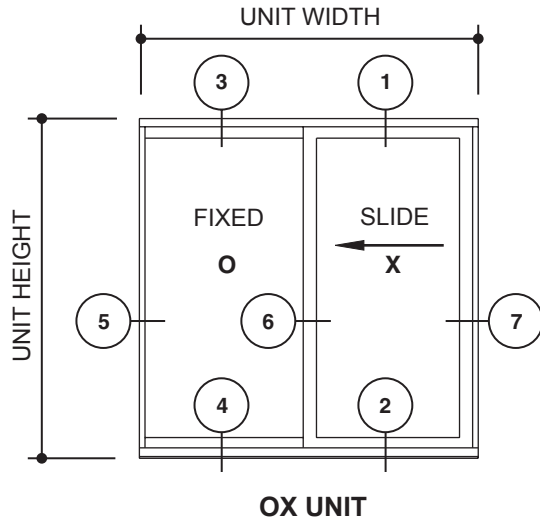
Kawneer reserves the right to change configuration without prior notice when deemed necessary for product improvement.
 © Kawneer Company, Inc., 2010

Metric (SI) conversion figures are included throughout these details for reference. Numbers in parentheses () are millimeters unless otherwise noted.

The following metric (SI) units are found in these details:

- m – meter
- cm – centimeter
- mm – millimeter
- s – second
- Pa – pascal
- MPa – megapascal

ELEVATIONS ARE NUMBER KEYED TO DETAILS



Laws and building and safety codes governing the design and use of glazed entrance, window, and curtain wall products vary widely. Kawneer does not control the selection of product configurations, operating hardware, or glazing materials, and assumes no responsibility therefor.

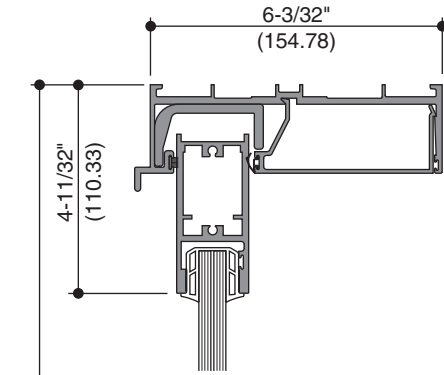
Kawneer reserves the right to change configuration without prior notice when deemed necessary for product improvement.
© Kawneer Company, Inc., 2010

Additional information and CAD details are available at www.kawneer.com

NOTE:

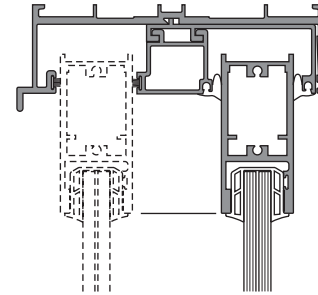
9/16" INFILL SHOWN.

FOR ADDITIONAL GLAZING OPTIONS SEE PAGE 8.



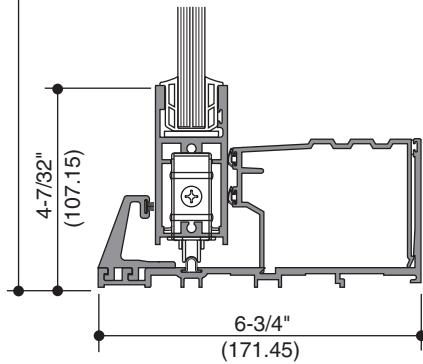
OPERABLE HEAD

1



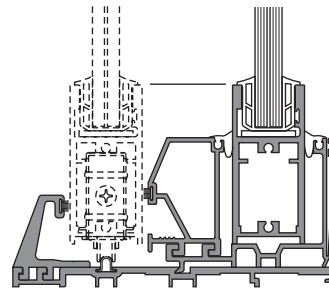
FIXED HEAD

3



OPERABLE SILL

2



FIXED SILL

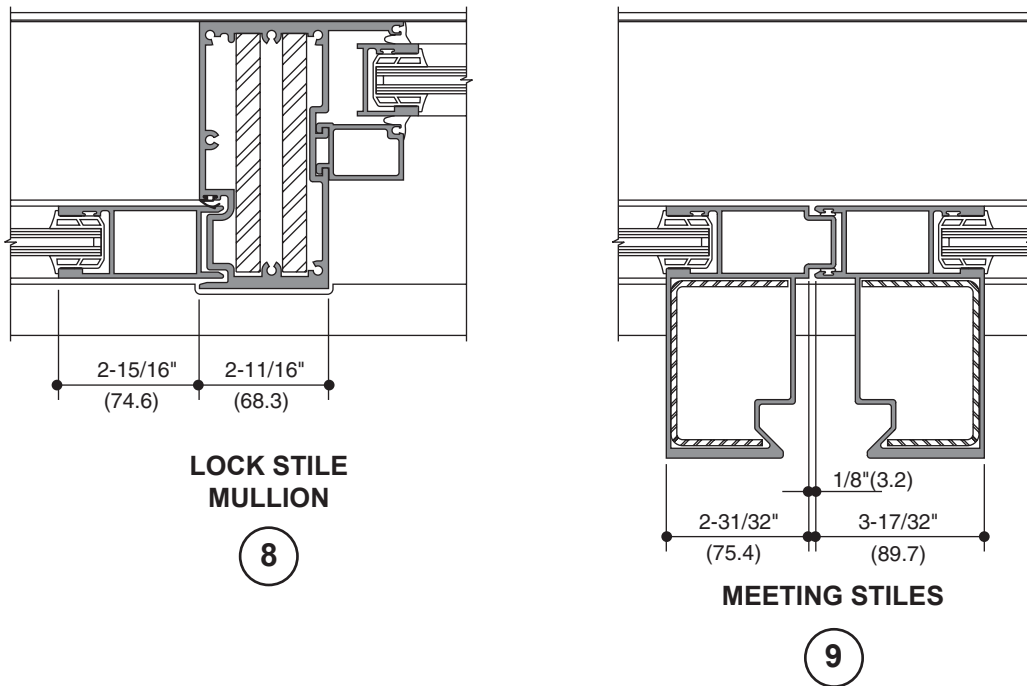
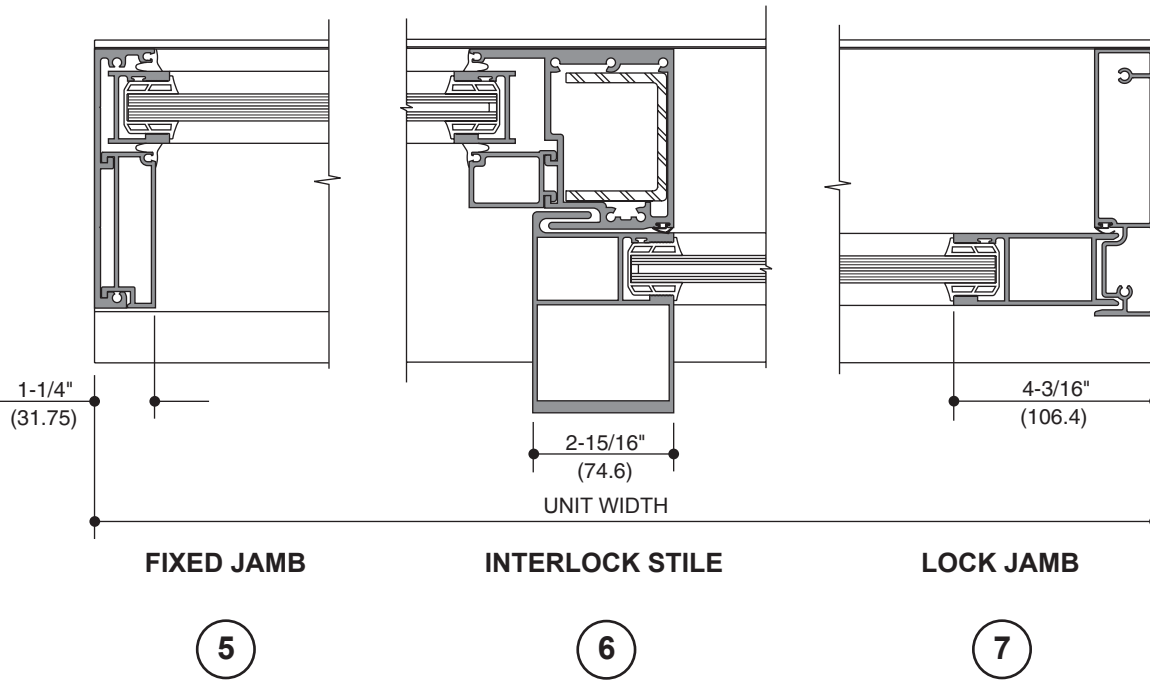
4

UNIT HEIGHT

Laws and building and safety codes governing the design and use of glazed entrance, window, and curtain wall products vary widely. Kawneer does not control the selection of product configurations, operating hardware, or glazing materials, and assumes no responsibility therefor.

Kawneer reserves the right to change configuration without prior notice when deemed necessary for product improvement.
© Kawneer Company, Inc., 2010

Additional information and CAD details are available at www.kawneer.com

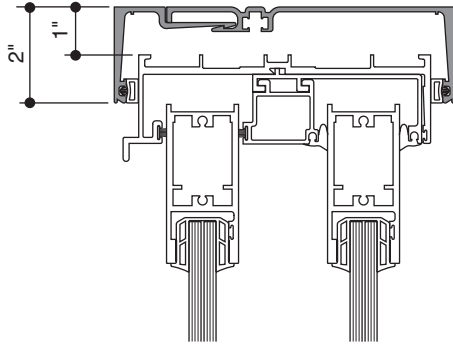


Laws and building and safety codes governing the design and use of glazed entrance, window, and curtain wall products vary widely. Kawneer does not control the selection of product configurations, operating hardware, or glazing materials, and assumes no responsibility therefor.

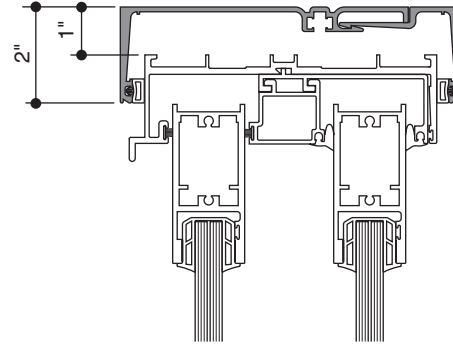
Kawneer reserves the right to change configuration without prior notice when deemed necessary for product improvement.
© Kawneer Company, Inc., 2010

Additional information and CAD details are available at www.kawneer.com

OPTIONAL MEMBERS



HEAD RECEPTOR
(EXTERIOR INSTALLED)



HEAD RECEPTOR
(INTERIOR INSTALLED)

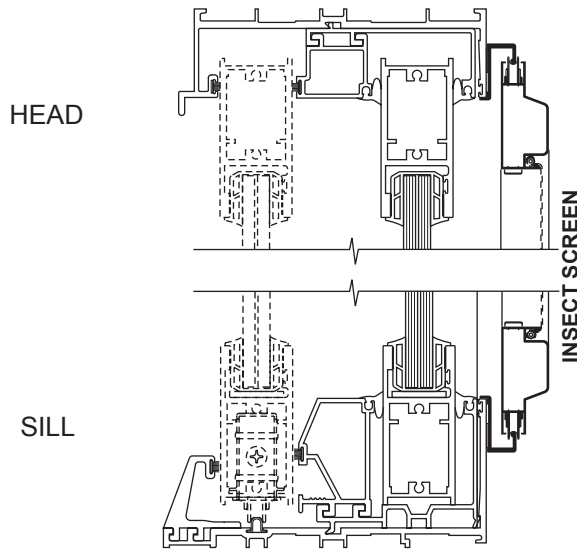
NOTE: Head receptors *cannot* be used with insect screens.

Laws and building and safety codes governing the design and use of glazed entrance, window, and curtain wall products vary widely. Kawneer does not control the selection of product configurations, operating hardware, or glazing materials, and assumes no responsibility therefor.

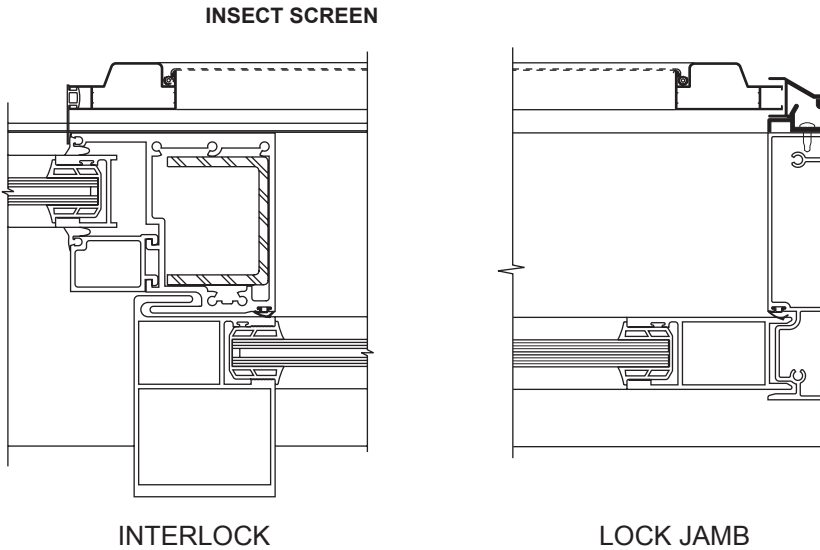
Kawneer reserves the right to change configuration without prior notice when deemed necessary for product improvement.
© Kawneer Company, Inc., 2010

Additional information and CAD details are available at www.kawneer.com

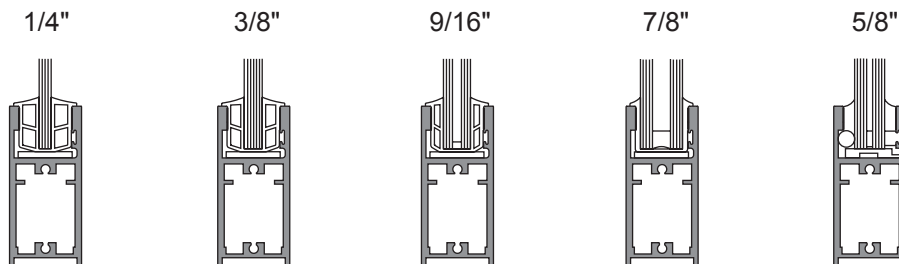
INTERIOR SCREENS



NOTE:
Standard screen includes plated steel hardware.
Optional screen available with stainless steel hardware.



INFILL OPTIONS



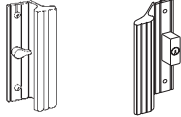
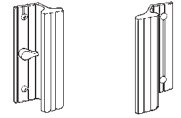
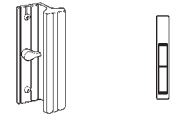
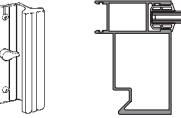

NOTE:
5/8" INFILL SHOWN
GLAZED WITH SILICONE
FOR LARGE MISSILE
IMPACT RESISTANCE.

Laws and building and safety codes governing the design and use of glazed entrance, window, and curtain wall products vary widely. Kawneer does not control the selection of product configurations, operating hardware, or glazing materials, and assumes no responsibility therefor.

Kawneer reserves the right to change configuration without prior notice when deemed necessary for product improvement.
© Kawneer Company, Inc., 2010

Laws and building and safety codes governing the design and use of glazed entrance, window, and curtain wall products vary widely. Kawneer does not control the selection of product configurations, operating hardware, or glazing materials, and assumes no responsibility therefor.

Kawneer reserves the right to change configuration without prior notice when deemed necessary for product improvement.
© Kawneer Company, Inc., 2010

HARDWARE DESCRIPTION		MS ADAMS RITE 1847 LOCK
(Interior) Extruded Pull with Thumbturn (Exterior) Extruded Pull with Applied Cylinder		OX, XO, OOX, XOO and OXO
(Interior) Extruded Pull with Thumbturn (Exterior) Blank Extruded Pull		OX, XO, OOX, XOO and OXO
(Interior) Extruded Pull with Thumbturn (Lock Panel) (Exterior) Blank Flush Pull		OX, XO, OOX, XOO and OXO
(Interior) Extruded Pull with Thumbturn (Lock Panel) (Exterior) Extruded Full Length Pull		OXXO
(Interior) Hurricane Thumbturn		All Configurations

**FOR WINDLOAD OR DEADLOAD INFORMATION, PLEASE CONTACT YOUR KAWNEER
APPLICATION ENGINEERING DEPARTMENT.**

Laws and building and safety codes governing the design and use of glazed entrance, window, and curtain wall products vary widely. Kawneer does not control the selection of product configurations, operating hardware, or glazing materials, and assumes no responsibility therefor.

Kawneer reserves the right to change configuration without prior notice when deemed necessary for product improvement.

© Kawneer Company, Inc., 2010