

PROJECT-OUT WINDOW 3-9

OUTSWING CASEMENT WINDOW 10-15

Laws and building and safety codes governing the design and use of glazed entrance, window, and curtain wall products vary widely. Kawneer does not control the selection of product configurations, operating hardware, or glazing materials, and assumes no responsibility therefor.

Kawneer reserves the right to change configuration without prior notice when deemed necessary for product improvement.
© Kawneer Company, Inc., 2015

LAWS AND BUILDING AND SAFETY CODES GOVERNING THE DESIGN AND USE OF GLAZED ENTRANCE, WINDOW, AND CURTAIN WALL PRODUCTS VARY WIDELY. KAWNEER DOES NOT CONTROL THE SELECTION OF PRODUCT CONFIGURATIONS, OPERATING HARDWARE, OR GLAZING MATERIALS, AND ASSUMES NO RESPONSIBILITY THEREFOR.

Metric (SI) conversion figures are included throughout these details for reference. Numbers in parentheses () are millimeters unless otherwise noted.

The following metric (SI) units are found in these details:

- m – meter
- cm – centimeter
- mm – millimeter
- s – second
- Pa – pascal
- MPa – megapascal

Laws and building and safety codes governing the design and use of glazed entrance, window, and curtain wall products vary widely. Kawneer does not control the selection of product configurations, operating hardware, or glazing materials, and assumes no responsibility therefor.

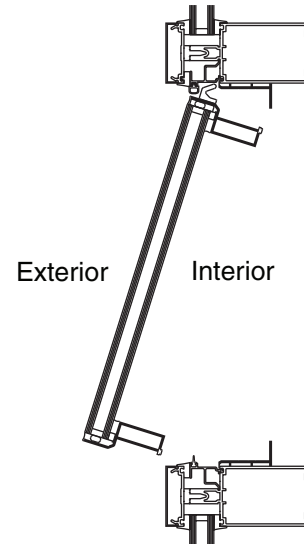
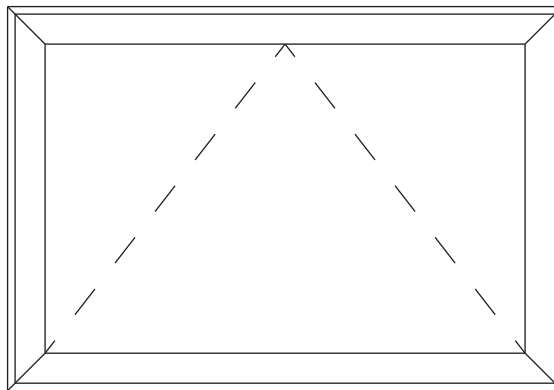
Kawneer reserves the right to change configuration without prior notice when deemed necessary for product improvement.
© Kawneer Company, Inc., 2015

Features

- Architectural Grade Window
- Tested to US and Canadian Standards
- 45° Mitered Vent and Frame Corners
- Staked Corner Joinery
- Architectural Anodized Finishes and Applied Coatings

Laws and building and safety codes governing the design and use of glazed entrance, window, and curtain wall products vary widely. Kawneer does not control the selection of product configurations, operating hardware, or glazing materials, and assumes no responsibility therefor.

Kawneer reserves the right to change configuration without prior notice when deemed necessary for product improvement.
© Kawneer Company, Inc., 2015



For specific product applications,
consult your Kawneer representative.

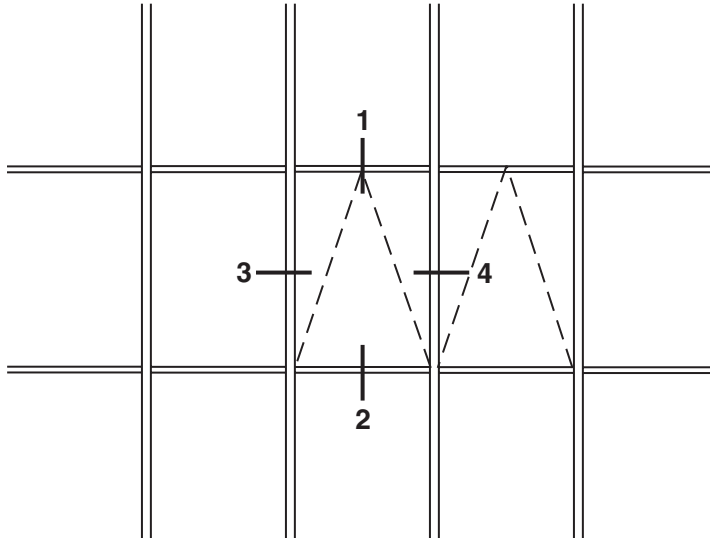
CLASS and GRADE	Architectural Grade AW-PG90 / AW-PG90C
TESTING STANDARD	AAMA / WDMA / CSA / 101 / I.S.2 / A440 (NAFS)
SYSTEM DEPTH	3-7/16" Overall System Depth (1" Infill) 2-11/16" Overall System Depth (1/4" Infill)
TYPICAL WALL THICKNESS	0.125 Nominal Frame
TYPICAL MAX. VENT SIZE	60" x 72"
TYPICAL MIN. VENT SIZE	12" x 12"
INFILL OPTIONS	1" and 1/4"
STANDARD HARDWARE	Stainless Steel 4-Bar Hinges Cast White Bronze Cam Lock 4-Bar Limit Stop 88SS Support Arms
OPTIONAL HARDWARE	Cam Lock with Pole Ring Sash Pole Pole Ring Access Control Lock Concealed Lock with removable key
OTHER OPTIONS	Insect Screens

Laws and building and safety codes governing the design and use of glazed entrance, window, and curtain wall products vary widely. Kawneer does not control the selection of product configurations, operating hardware, or glazing materials, and assumes no responsibility therefor.

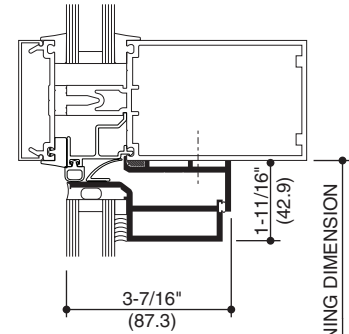
Kawneer reserves the right to change configuration without prior notice when deemed necessary for product improvement.
© Kawneer Company, Inc., 2015

Additional information and CAD details are available at www.kawneer.com

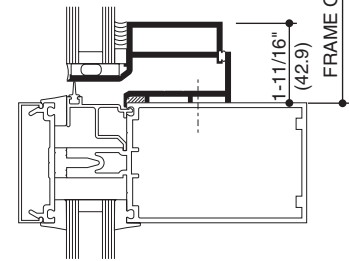
1" STRUCTURAL SILICONE GLAZING



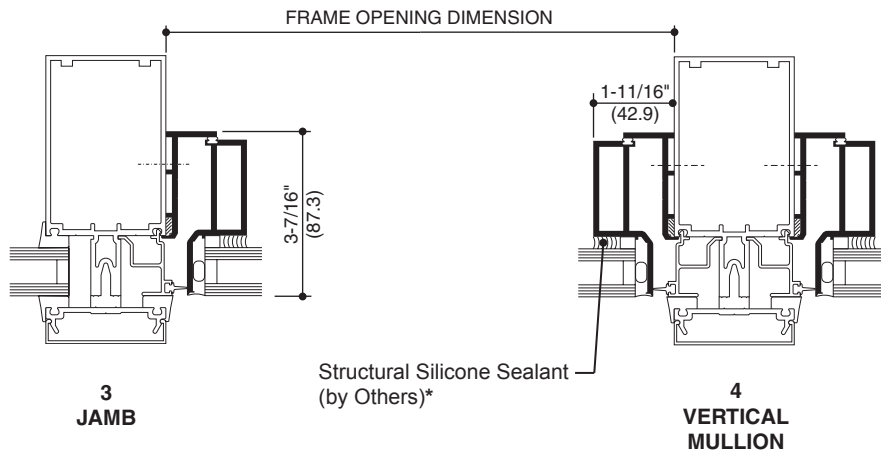
1 HEAD



2 SILL



*** INSTALLER NOTE:** Installer is responsible for all required compatibility review and approvals with the Structural Silicone Manufacturer and the Insulated Glass Unit Manufacturers.



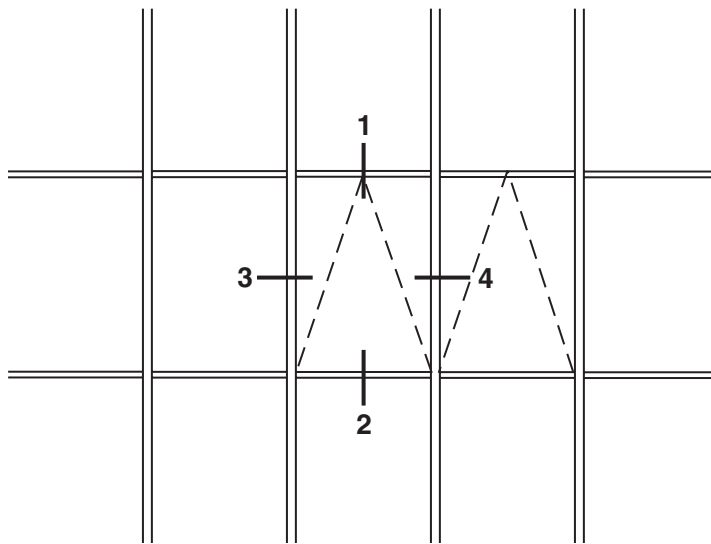
NOTE: THE KAWNEER GLASSvent™ WINDOW IS SHOWN IN THESE DETAILS WITH 1600 WALL SYSTEM™1 CURTAIN WALL FOR REFERENCE. OTHER KAWNEER SYSTEMS CAN BE USED. FOR PRODUCT SPECIFIC APPLICATIONS CONSULT YOUR KAWNEER REPRESENTATIVE.

Laws and building and safety codes governing the design and use of glazed entrance, window, and curtain wall products vary widely. Kawneer does not control the selection of product configurations, operating hardware, or glazing materials, and assumes no responsibility therefor.

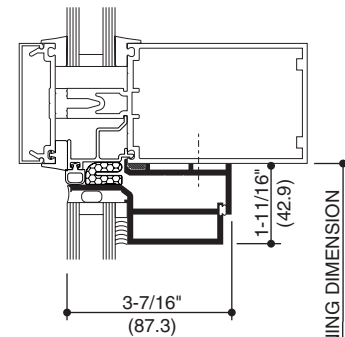
Kawneer reserves the right to change configuration without prior notice when deemed necessary for product improvement.
© Kawneer Company, Inc., 2015

Additional information and CAD details are available at www.kawneer.com

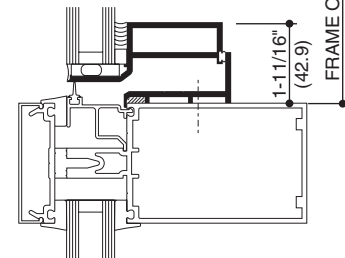
1" STRUCTURAL SILICONE GLAZING



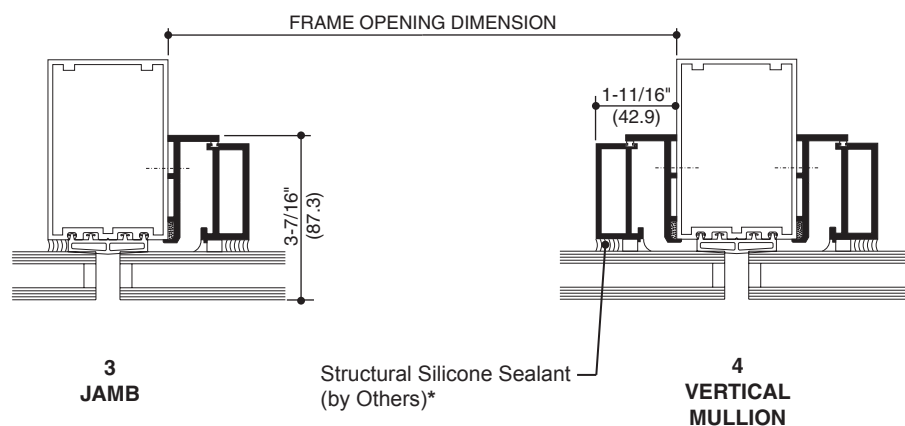
1
HEAD



2
SILL



*** INSTALLER NOTE:** Installer is responsible for all required compatibility review and approvals with the Structural Silicone Manufacturer and the Insulated Glass Unit Manufacturers.



NOTE: THE KAWNEER GLASSvent™ WINDOW IS SHOWN IN THESE DETAILS WITH 1600 WALL SYSTEM™2 CURTAIN WALL FOR REFERENCE. OTHER KAWNEER SYSTEMS CAN BE USED. FOR PRODUCT SPECIFIC APPLICATIONS CONSULT YOUR KAWNEER REPRESENTATIVE.

Laws and building and safety codes governing the design and use of glazed entrance, window, and curtain wall products vary widely. Kawneer does not control the selection of product configurations, operating hardware, or glazing materials, and assumes no responsibility therefor.

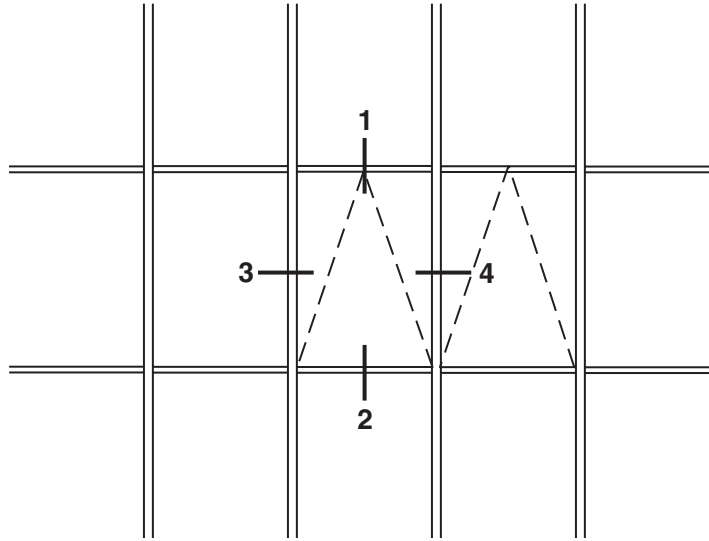
Kawneer reserves the right to change configuration without prior notice when deemed necessary for product improvement.
© Kawneer Company, Inc., 2015

Additional information and CAD details are available at www.kawneer.com

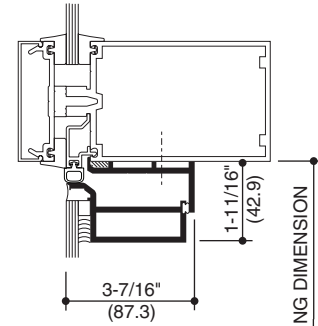
1/4" STRUCTURAL SILICONE GLAZING

Laws and building and safety codes governing the design and use of glazed entrance, window, and curtain wall products vary widely. Kawneer does not control the selection of product configurations, operating hardware, or glazing materials, and assumes no responsibility therefor.

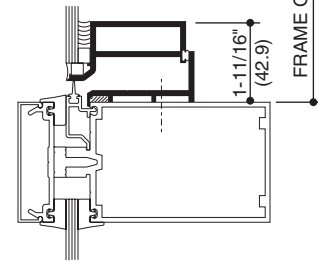
Kawneer reserves the right to change configuration without prior notice when deemed necessary for product improvement.
© Kawneer Company, Inc., 2015



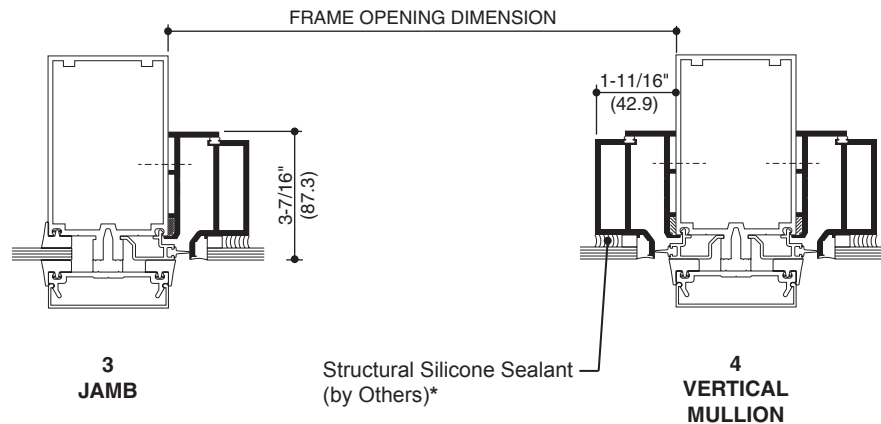
1 HEAD



2 SILL



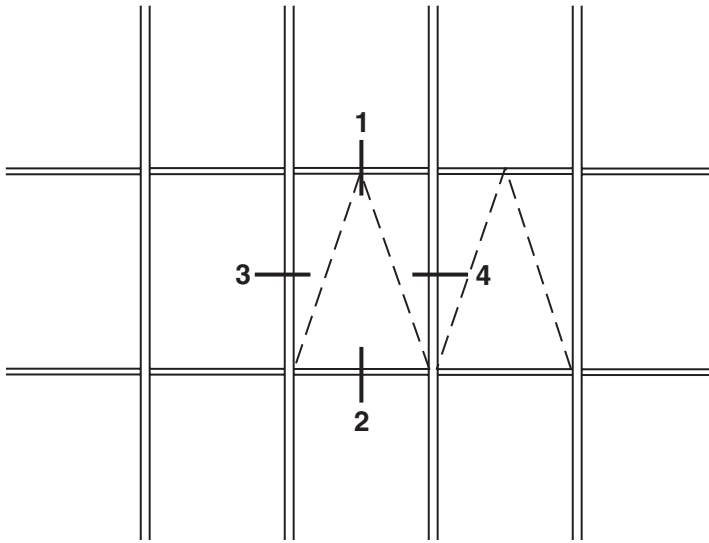
*** INSTALLER NOTE:** Installer is responsible for all required compatibility review and approvals with the Structural Silicone Manufacturer and the Insulated Glass Unit Manufacturers.



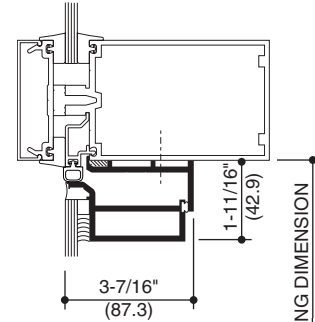
NOTE: THE KAWNEER GLASSvent™ WINDOW IS SHOWN IN THESE DETAILS WITH 1600 WALL SYSTEM™1 CURTAIN WALL FOR REFERENCE. OTHER KAWNEER SYSTEMS CAN BE USED. FOR PRODUCT SPECIFIC APPLICATIONS CONSULT YOUR KAWNEER REPRESENTATIVE.

Additional information and CAD details are available at www.kawneer.com

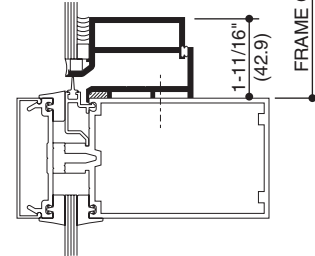
1/4" STRUCTURAL SILICONE GLAZING



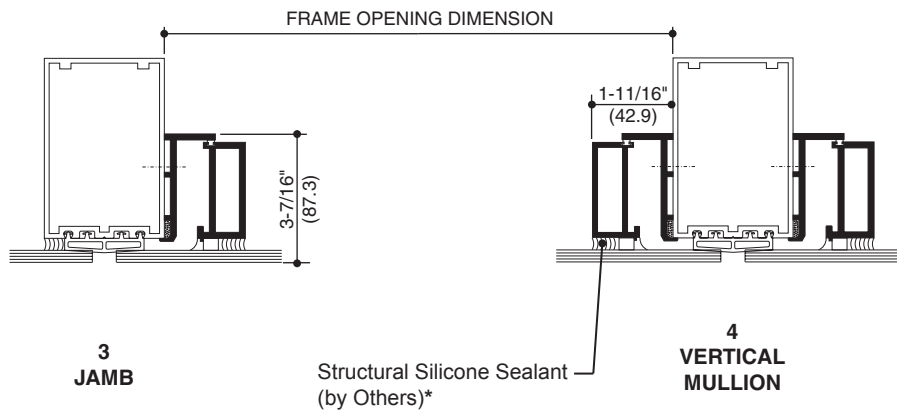
1 HEAD



2 SILL



*** INSTALLER NOTE:** Installer is responsible for all required compatibility review and approvals with the Structural Silicone Manufacturer and the Insulated Glass Unit Manufacturers.

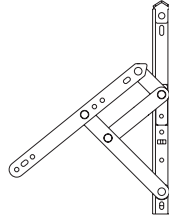


NOTE: THE KAWNEER GLASSvent™ WINDOW IS SHOWN IN THESE DETAILS WITH 1600 WALL SYSTEM™2 CURTAIN WALL FOR REFERENCE. OTHER KAWNEER SYSTEMS CAN BE USED. FOR PRODUCT SPECIFIC APPLICATIONS CONSULT YOUR KAWNEER REPRESENTATIVE.

Laws and building and safety codes governing the design and use of glazed entrance, window, and curtain wall products vary widely. Kawneer does not control the selection of product configurations, operating hardware, or glazing materials, and assumes no responsibility therefor.

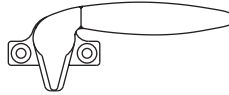
Kawneer reserves the right to change configuration without prior notice when deemed necessary for product improvement.
© Kawneer Company, Inc., 2015

**STAINLESS STEEL
4 BAR HINGES**



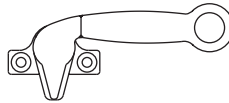
A standard hinge for ventilators providing approximately 45° to 60° openings depending on size. An optional limit stop is available to restrict hinge travel and limit vent opening.

CAM HANDLE



Cast white bronze cam handles are standard for the manual operation and locking of ventilators.

**CAM HANDLE
WITH POLE RING**



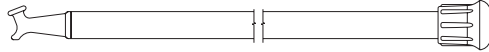
Cast white bronze cam handles with pole ring provide manual operation of ventilators located above reach. These handles are operated with a sash pole.

POLE RING



Cast white bronze pole ring is used in conjunction with locking hardware for sash pole operation of ventilators.

SASH POLE

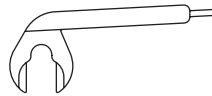


A 3/4" diameter aluminum sash pole with a cast white bronze pull down hook and black rubber tip. Available in 6 ft. and 12 ft. lengths with optional cast white bronze Pole Hanger.

**HANGER
FOR SASH POLE**

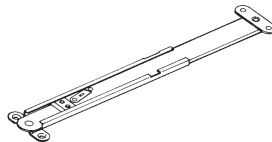


**ACCESS CONTROL
LOCK**



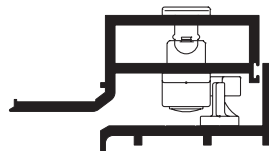
In lieu of cam handles cast white bronze access control locks are offered for managed control of vent operations. Lock is operated with a manganese bronze removable handle.

**88 SS SUPPORT
ARMS**



Support Arms are used when the curtain wall day light opening height exceeds 48". When fully extended, the hardware automatically retains the ventilator in an open position.

CONCEALED LOCK



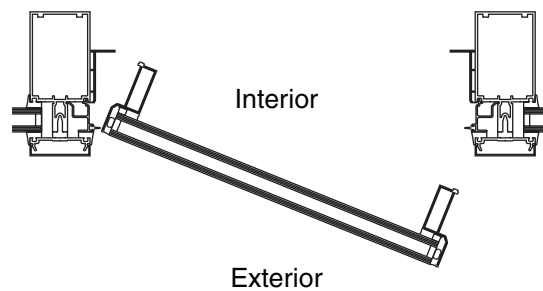
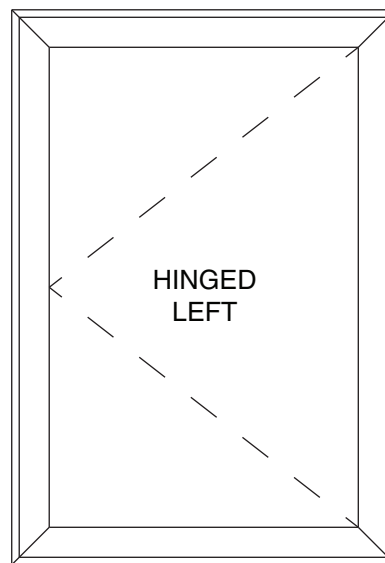
In lieu of cam handles cast white bronze concealed locks are offered for managed control of vent operations. Lock is operated with a removable key.

Laws and building and safety codes governing the design and use of glazed entrance, window, and curtain wall products vary widely. Kawneer does not control the selection of product configurations, operating hardware, or glazing materials, and assumes no responsibility therefor.

Kawneer reserves the right to change configuration without prior notice when deemed necessary for product improvement.
© Kawneer Company, Inc., 2015

Features

- Architectural Grade Window
- Tested to US and Canadian Standards
- 45° Mitered Vent and Frame Corners
- Staked Corner Joinery
- Architectural Anodized Finishes and Applied Coatings



For specific product applications,
consult your Kawneer representative.

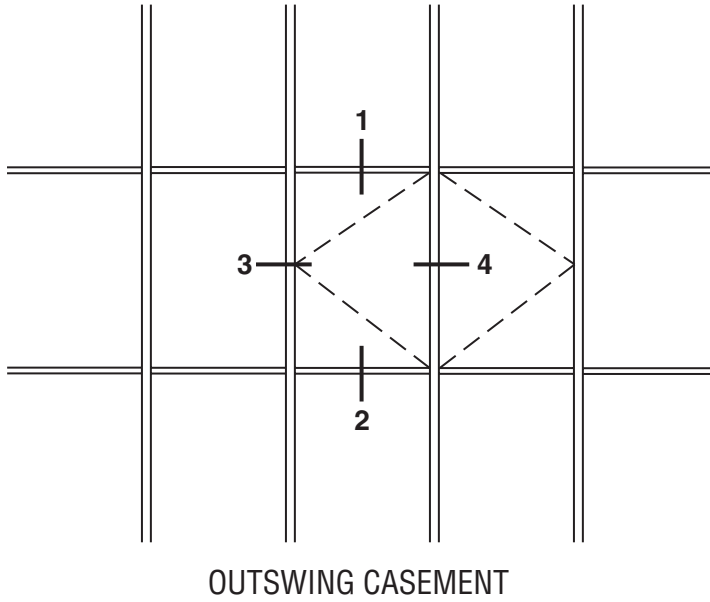
CLASS and GRADE	Architectural Grade AW-PG90 / AW-PG90C
TESTING STANDARD	AAMA / WDMA / CSA / 101 / I.S.2 / A440 (NAFS)
SYSTEM DEPTH	3-7/16" Overall System Depth (1" Infill) 2-11/16" Overall System Depth (1/4" Infill)
TYPICAL WALL THICKNESS	0.125 Nominal Frame
TYPICAL MAX. VENT SIZE	31" x 72" or 36" x 63" (1" Infill) 36" x 72" (1/4" Infill)
TYPICAL MIN. VENT SIZE	14" x 14"
INFILL OPTIONS	1" and 1/4"
STANDARD HARDWARE	Stainless Steel 4-Bar Hinges Cast White Bronze Cam Handles
OPTIONAL HARDWARE	Cam Lock with Pole Ring SashPole Pole Ring Access Control Locks Multi-Point Lock Hook Bolt Lock Concealed Lock with removable key
OTHER OPTIONS	Insect Screens

Laws and building and safety codes governing the design and use of glazed entrance, window, and curtain wall products vary widely. Kawneer does not control the selection of product configurations, operating hardware, or glazing materials, and assumes no responsibility therefor.

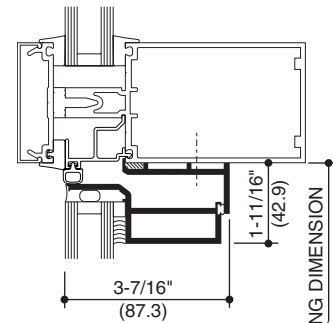
Kawneer reserves the right to change configuration without prior notice when deemed necessary for product improvement.
© Kawneer Company, Inc., 2015

Additional information and CAD details are available at www.kawneer.com

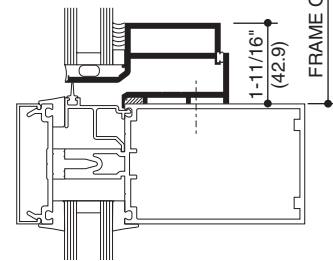
1" STRUCTURAL SILICONE GLAZING



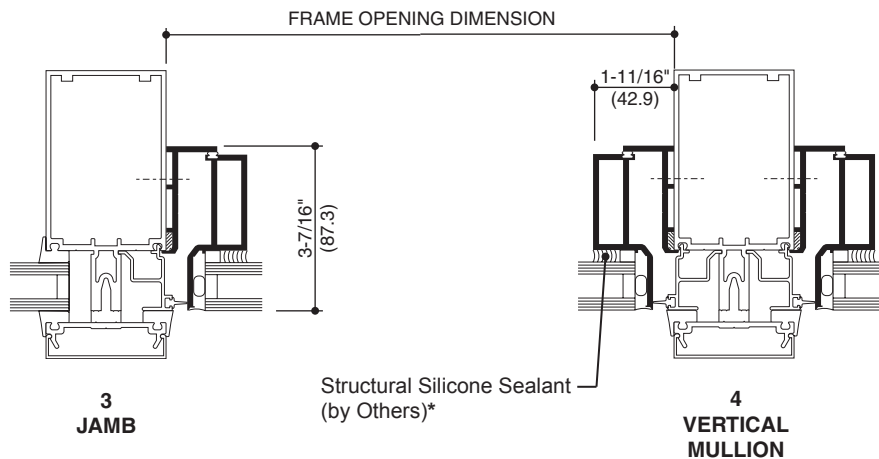
1 HEAD



2 SILL



*** INSTALLER NOTE:** Installer is responsible for all required compatibility review and approvals with the Structural Silicone Manufacturer and the Insulated Glass Unit Manufacturers.



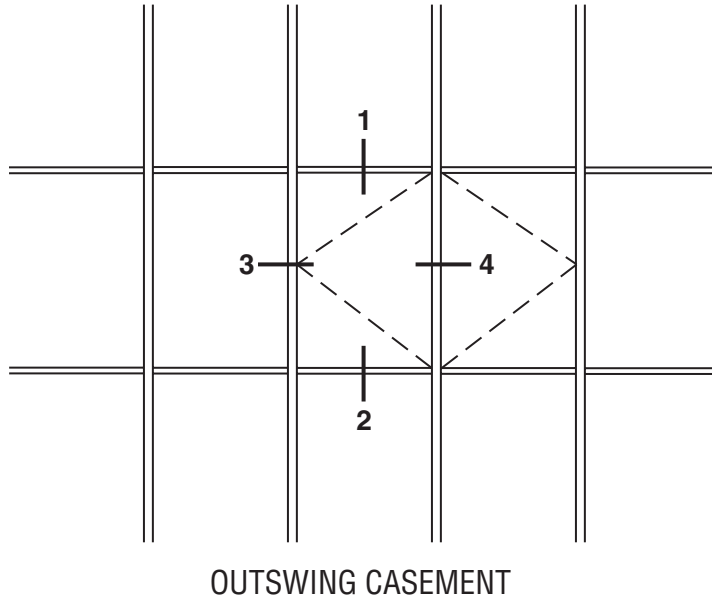
NOTE: THE KAWNEER GLASSvent™ WINDOW IS SHOWN IN THESE DETAILS WITH 1600 WALL SYSTEM™1 CURTAIN WALL FOR REFERENCE. OTHER KAWNEER SYSTEMS CAN BE USED. FOR PRODUCT SPECIFIC APPLICATIONS CONSULT YOUR KAWNEER REPRESENTATIVE.

Laws and building and safety codes governing the design and use of glazed entrance, window, and curtain wall products vary widely. Kawneer does not control the selection of product configurations, operating hardware, or glazing materials, and assumes no responsibility therefor.

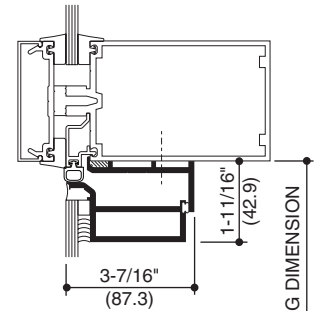
Kawneer reserves the right to change configuration without prior notice when deemed necessary for product improvement.
© Kawneer Company, Inc., 2015

Additional information and CAD details are available at www.kawneer.com

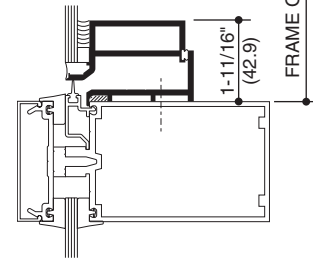
1/4" STRUCTURAL SILICONE GLAZING



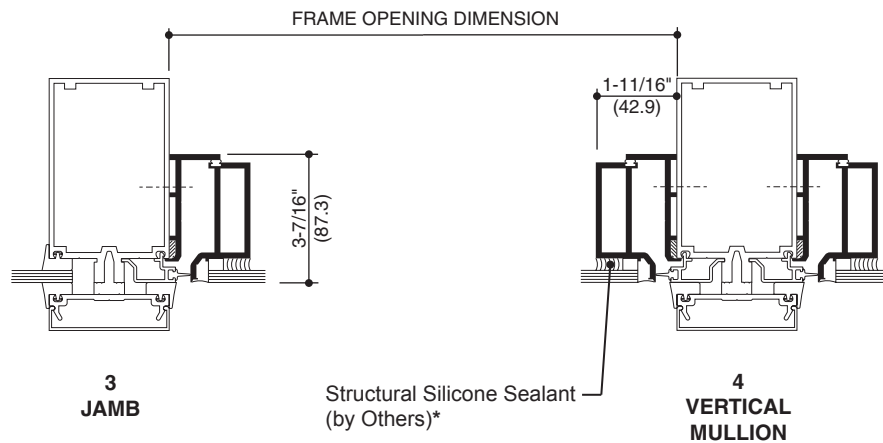
1 HEAD



2 SILL



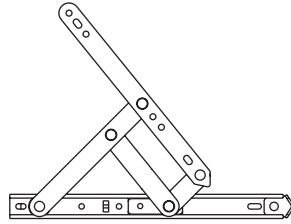
*** INSTALLER NOTE:** Installer is responsible for all required compatibility review and approvals with the Structural Silicone Manufacturer and the Insulated Glass Unit Manufacturers.



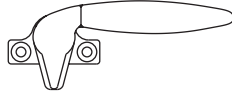
NOTE: THE KAWNEER GLASSvent™ WINDOW IS SHOWN IN THESE DETAILS WITH 1600 WALL SYSTEM™1 CURTAIN WALL FOR REFERENCE. OTHER KAWNEER SYSTEMS CAN BE USED. FOR PRODUCT SPECIFIC APPLICATIONS CONSULT YOUR KAWNEER REPRESENTATIVE.

Laws and building and safety codes governing the design and use of glazed entrance, window, and curtain wall products vary widely. Kawneer does not control the selection of product configurations, operating hardware, or glazing materials, and assumes no responsibility therefor.

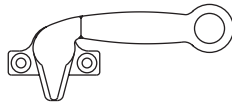
Kawneer reserves the right to change configuration without prior notice when deemed necessary for product improvement.
© Kawneer Company, Inc., 2015

**STAINLESS STEEL
4 BAR HINGES**

A standard hinge for ventilators providing approximately 45° to 60° openings depending on size. An optional limit stop is available to restrict hinge travel and limit vent opening.

CAM HANDLE

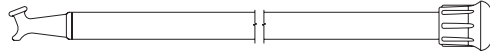
Cast white bronze cam handles are standard for the manual operation and locking of ventilators.

**CAM HANDLE
WITH POLE RING**

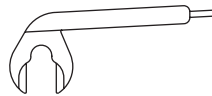
Cast white bronze cam handles with pole ring provide manual operation of ventilators located above reach. These handles are operated with a sash pole.

POLE RING

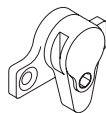
Cast white bronze pole ring is used in conjunction with locking hardware for sash pole operation of ventilators.

SASH POLE

A 3/4" diameter aluminum sash pole with a cast white bronze pull down hook and black rubber tip. Available in 6 ft. and 12 ft. lengths with optional cast white bronze Pole Hanger.

**HANGER
FOR SASH POLE****ACCESS CONTROL
LOCK**

In lieu of cam handles cast white bronze access control locks are offered for managed control of vent operations. Lock is operated with a manganese bronze removable handle.

**HOOK BOLT LOCK**

For use with pivot-shoe roto operator in lieu of cam handles. Standard finish shall be US-25-D clear white bronze.

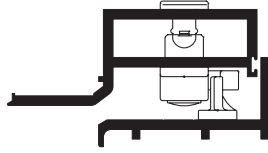
MULTI-POINT LOCK

Optional single locking handle for concealed multi-point locks located on the vertical frame. Standard finish shall be US-25-D clear white bronze.

Laws and building and safety codes governing the design and use of glazed entrance, window, and curtain wall products vary widely. Kawneer does not control the selection of product configurations, operating hardware, or glazing materials, and assumes no responsibility therefor.

Kawneer reserves the right to change configuration without prior notice when deemed necessary for product improvement.
© Kawneer Company, Inc., 2015

CONCEALED LOCK



In lieu of cam handles cast white bronze concealed locks are offered for managed control of vent operations. Lock is operated with a removable key.

Laws and building and safety codes governing the design and use of glazed entrance, window, and curtain wall products vary widely. Kawneer does not control the selection of product configurations, operating hardware, or glazing materials, and assumes no responsibility therefor.

Kawneer reserves the right to change configuration without prior notice when deemed necessary for product improvement.
© Kawneer Company, Inc., 2015

Laws and building and safety codes governing the design and use of glazed entrance, window, and curtain wall products vary widely. Kawneer does not control the selection of product configurations, operating hardware, or glazing materials, and assumes no responsibility therefor.

Kawneer reserves the right to change configuration without prior notice when deemed necessary for product improvement.
© Kawneer Company, Inc., 2015