

Laws and building and safety codes governing the design and use of glazed entrance, window, and curtain wall products vary widely. Kawneer does not control the selection of product configurations, operating hardware, or glazing materials, and assumes no responsibility therefor.

Kawneer reserves the right to change configuration without prior notice when deemed necessary for product improvement.
© Kawneer Company, Inc., 2014

TWO-PIECE EXTRUDED ALUMINUM SNAP TRIM..... 3

INTERIOR SNAP TRIM..... 4

RECTANGULAR 5

OFFSET 6

CONTOUR 7

OFFSET MISCELLANEOUS 8

EXTENDED LEG..... 9

OFFSET AND MISCELLANEOUS 10

MISCELLANEOUS 11

SPECIAL 12

LAWS AND BUILDING AND SAFETY CODES GOVERNING THE DESIGN AND USE OF GLAZED ENTRANCE, WINDOW, AND CURTAIN WALL PRODUCTS VARY WIDELY. KAWNEER DOES NOT CONTROL THE SELECTION OF PRODUCT CONFIGURATIONS, OPERATING HARDWARE, OR GLAZING MATERIALS, AND ASSUMES NO RESPONSIBILITY THEREFOR.

Metric (SI) conversion figures are included throughout these details for reference. Numbers in parentheses () are millimeters unless otherwise noted.

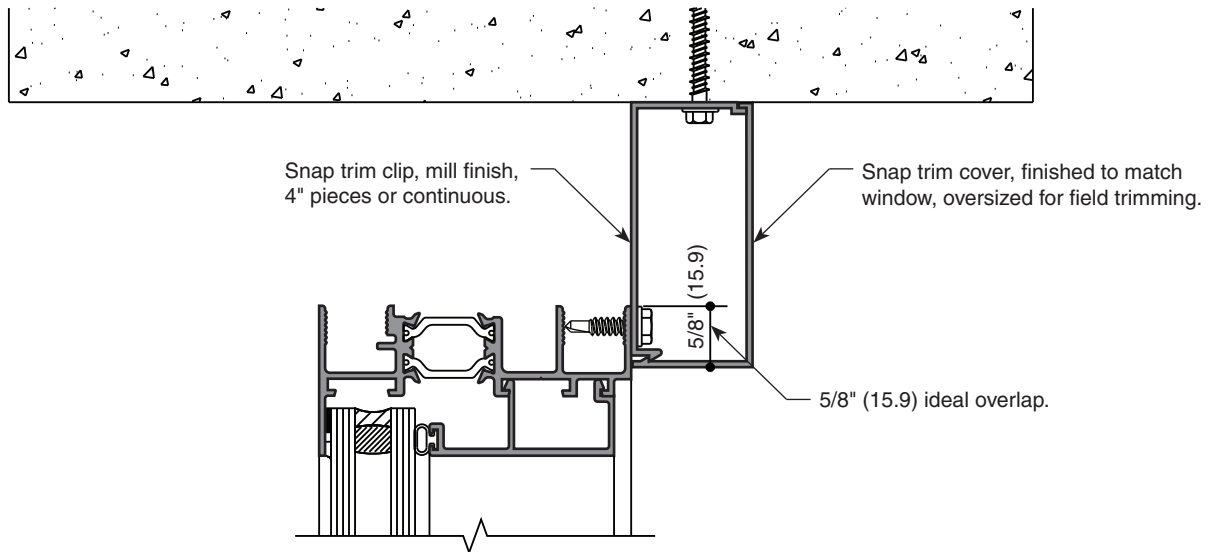
The following metric (SI) units are found in these details:

- m – meter
- cm – centimeter
- mm – millimeter
- s – second
- Pa – pascal
- MPa – megapascal

Laws and building and safety codes governing the design and use of glazed entrance, window, and curtain wall products vary widely. Kawneer does not control the selection of product configurations, operating hardware, or glazing materials, and assumes no responsibility therefor.

Kawneer reserves the right to change configuration without prior notice when deemed necessary for product improvement.
© Kawneer Company, Inc., 2014

Rectangular or Historic



Typical Head Snap Trim Section (Rectangular)

Functions	Benefits
Anchor the new window to the existing construction.	Provide multiple anchor locations at 6" (152.4) from each end and 18" (457.2) O.C. maximum.
Cover the interior perimeter between the new window and the existing construction.	Conceal the anchors and reduce air infiltration for heating and cooling savings.

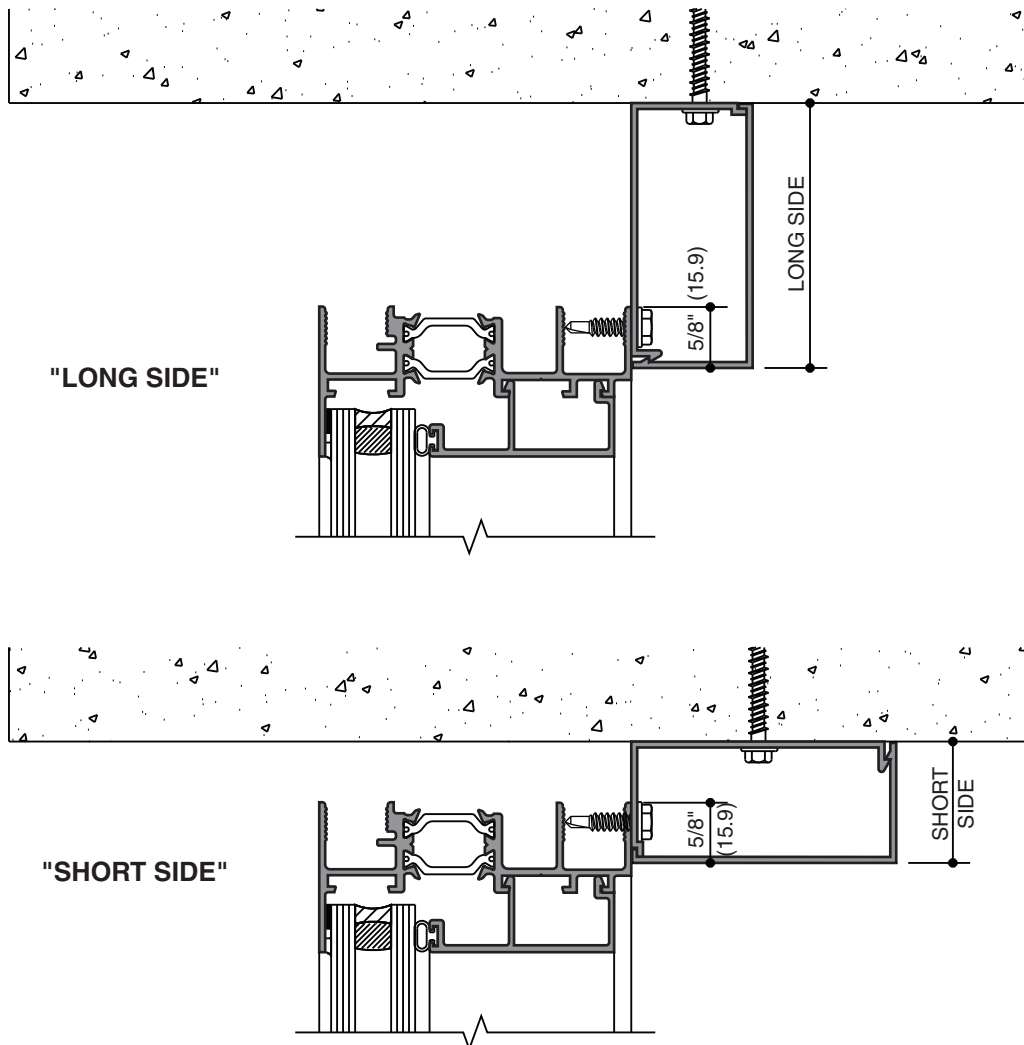
Suggested Installation Procedure (wrap around panning overview only)
<ol style="list-style-type: none"> 1. Apply the first four trim clips to existing construction - two at top and bottom of each jamb. 2. Check for plum and adjust the clips as required. 3. Place the window with panning into the opening and secure the window to the clips. 4. Check and adjust the window for square and level, and <u>apply the remaining clips</u>. 5. Field-trim the snap trim cover (horizontals run full width) and snap them onto clips.

Cautions (to assist with accessory selection and field labor calculations)
<ul style="list-style-type: none"> • <u>5/8" ideal overlap</u>: if the trim overlaps the window to little, there may not be enough screw thread engagement; if too much, the hung tilt sash may not tilt in properly. • <u>Automatic sill locks</u>: some hung windows have a sill protrusion which may require extra field notching of vertical snap trim covers so they will snap onto the trim clips. • <u>Historic trim</u>: these special profiles require extra field notching so the corners will come together. Miter-cutting the snap trim covers is awkward under field conditions. • <u>Trim clip length</u>: careful analysis of field conditions will help in the decision whether to order 4" pieces or continuous trim clip; both choices have advantages.

Laws and building and safety codes governing the design and use of glazed entrance, window, and curtain wall products vary widely. Kawneer does not control the selection of product configurations, operating hardware, or glazing materials, and assumes no responsibility therefor.

Kawneer reserves the right to change configuration without prior notice when deemed necessary for product improvement.
 © Kawneer Company, Inc., 2014

- A combination of exterior panning and interior snap trim is normally required to completely cover existing building conditions and finish the interior face of the window.
- Standard interior snap trim profiles are available to accommodate most building conditions.
- Historic or custom snap trim profiles may be supplied based upon project specific requirements. Please contact your Kawneer representative for detail assistance and associated costs.
- Interior snap trim is finished to match window, square cut and supplied 3" (76.2) over window size for final field fitting. Clips are mill finish, without holes and 4" (101.6) long (continuous clip available upon request).
- Interior snap trim may be used to securely anchor windows into building openings. Fasteners for trim-to-window and trim-to-surrounding conditions are supplied by others.
- Windows are securely anchored to the building condition with anchors installed through the window frame, strap anchors or interior snap trim.
- Ideal trim clip overlap onto new window is 5/8" (15.9). More than 1/8" (3.2) varying from this overlap may lead to window operation and anchoring difficulties.
- When ordering, please provide trim # & orientation, "long side" or "short side" against window.

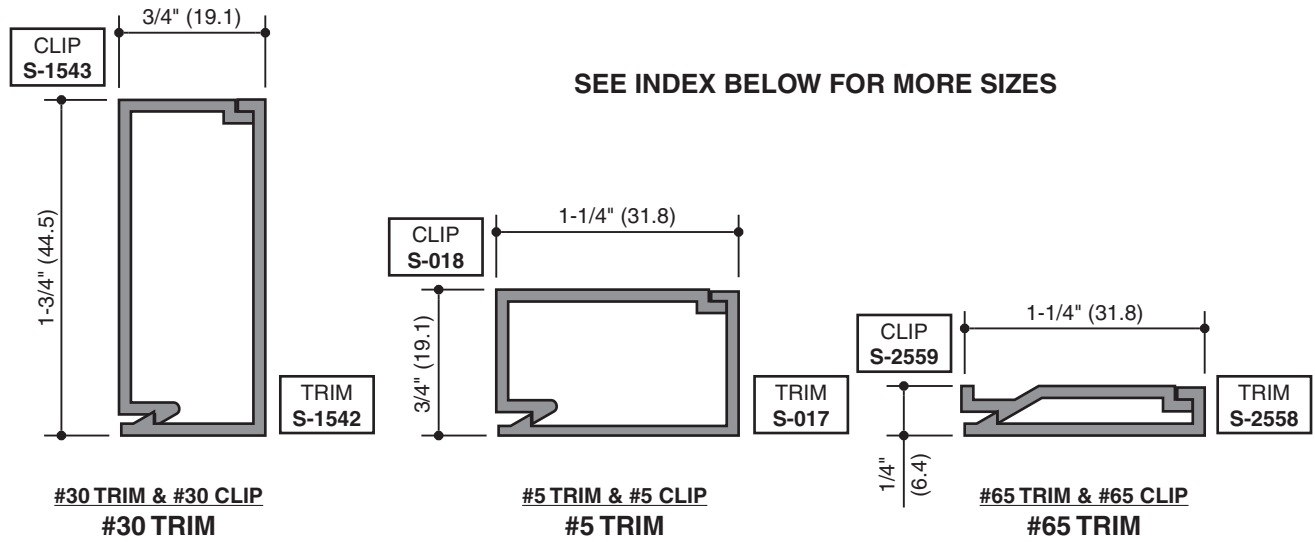


Laws and building and safety codes governing the design and use of glazed entrance, window, and curtain wall products vary widely. Kawneer does not control the selection of product configurations, operating hardware, or glazing materials, and assumes no responsibility therefor.

Kawneer reserves the right to change configuration without prior notice when deemed necessary for product improvement.

© Kawneer Company, Inc., 2014

SCALE = FULL

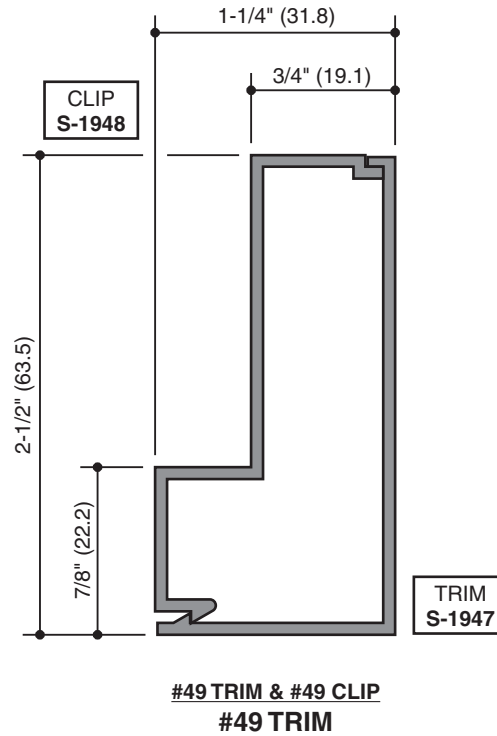
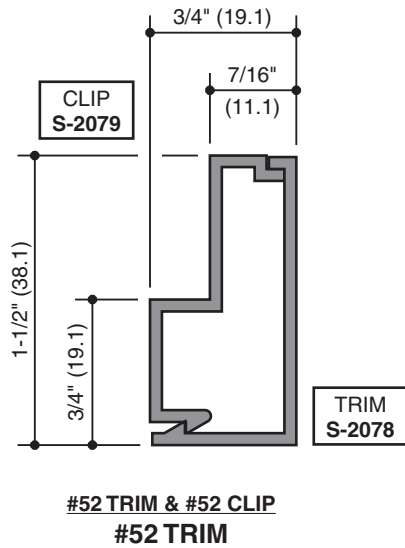


WIDTH	HEIGHT	TRIM#	TRIM DIE#	CLIP DIE#
3/4" (19.1)	1-3/4" (44.5)	30	S-1542	S-1543
3/4" (19.1)	2-1/4" (57.2)	31	S-1544	S-1545
3/4" (19.1)	2-3/4" (69.9)	24	S-1348	S-1349
3/4" (19.1)	3-1/4" (82.6)	32	S-1546	S-1547
3/4" (19.1)	4" (101.6)	16	S-358	S-359
1" (25.4)	1" (25.4)	124	S-10424	S-10425
1" (25.4)	1-1/2" (38.1)	125	S-10426	S-10538
1" (25.4)	1-3/4" (44.5)	34	S-1620	S-1620
1" (25.4)	2" (50.8)	123	S-10419	S-10420
1" (25.4)	2-1/2" (63.5)	14	S-147	S-148
1" (25.4)	3" (76.2)	130	S-10547	S-10548
1" (25.4)	3-1/2" (88.9)	126	S-10539	S-10540
1" (25.4)	4" (101.6)	57	S-2249	S-2250
1" (25.4)	5" (127)	132	S-10551	S-10552
1-1/4" (31.8)	1/4" (6.4)	65	S-2558	S-2559
1-1/4" (31.8)	1/2" (12.7)	64	S-2556	S-2557
1-1/4" (31.8)	3/4" (19.1)	5	S-017	S-018
1-1/4" (31.8)	1" (25.4)	36	S-1649	S-1648
1-1/4" (31.8)	1-1/4" (31.8)	4	S-015	S-016
1-1/4" (31.8)	1-3/4" (44.5)	6	S-019	S-020
1-1/4" (31.8)	1-3/4" (44.5)	6HD-BASE	S-019	S-10445
1-1/4" (31.8)	2" (50.8)	48A	S-1945	S-2030
1-1/4" (31.8)	2-1/4" (57.2)	3	S-013	S-014
1-1/4" (31.8)	2-3/4" (69.9)	7	S-021	S-022
1-1/4" (31.8)	3-1/4" (82.6)	33	S-1548	S-1549
1-1/4" (31.8)	4" (101.6)	27	S-1389	S-1390
1-3/8" (34.9)	3-1/4" (82.6)	28	S-1534	S-1545
1-1/2" (38.1)	1-1/2" (38.1)	127	S-10541	S-10542
1-1/2" (38.1)	2" (50.8)	2	S-1218	S-1253
1-1/2" (38.1)	2-1/2" (63.5)	44A	S-1824	S-1823
1-3/4" (44.5)	1-1/4" (31.8)	47	S-1907	S-1908
1-3/4" (44.5)	3-1/4" (82.6)	22	S-1265	S-1266
1-3/4" (44.5)	4" (101.6)	21	S-980	S-090
1-3/4" (44.5)	4-1/2" (114.3)	81	S-3081	S-3082
1-3/4" (44.5)	4-3/4" (120.7)	79	S-3083	S-3084
2" (50.8)	2" (50.8)	131	S-10549	S-10550
2-1/4" (57.2)	2" (50.8)	9	S-089	S-088
2-3/4" (69.9)	1-1/2" (38.1)	39	S-1697	S-1695
3-1/4" (82.6)	2-1/2" (63.5)	113	S-4974	S-4975

Laws and building and safety codes governing the design and use of glazed entrance, window, and curtain wall products vary widely. Kawneer does not control the selection of product configurations, operating hardware, or glazing materials, and assumes no responsibility therefor.

Kawneer reserves the right to change configuration without prior notice when deemed necessary for product improvement.
© Kawneer Company, Inc., 2014

SCALE = FULL



SEE INDEX BELOW FOR MORE SIZES

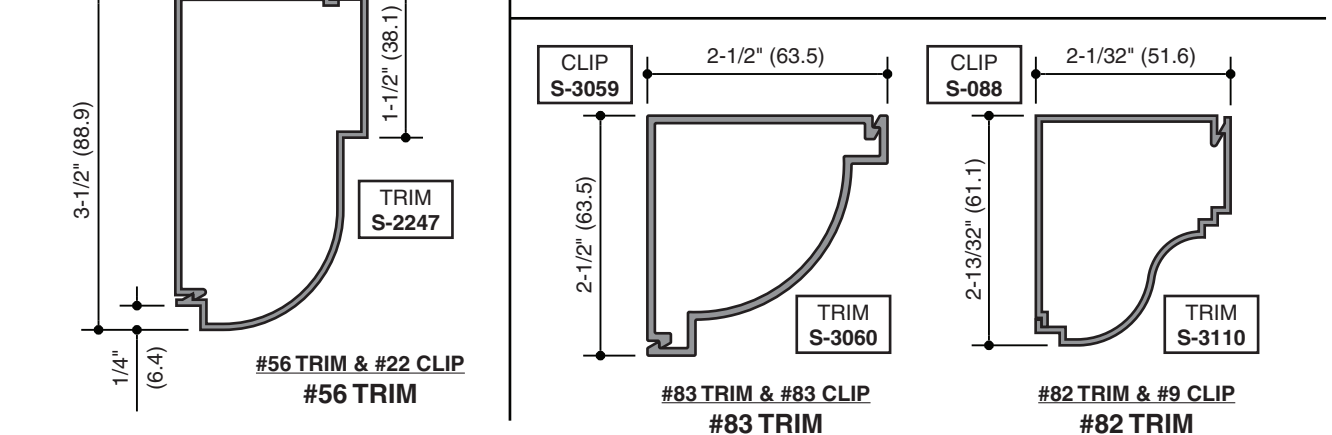
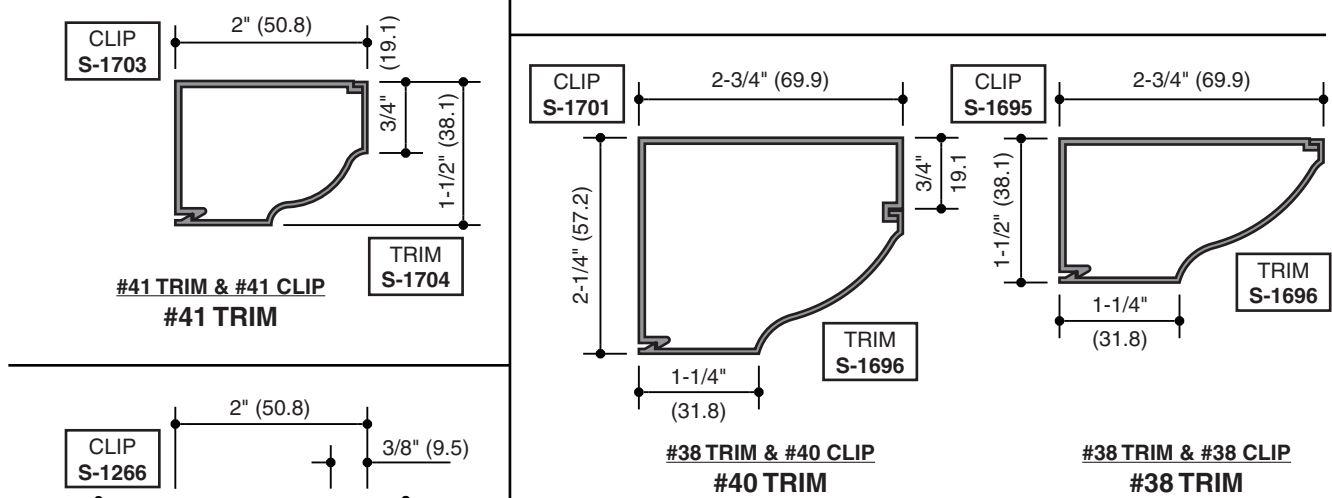
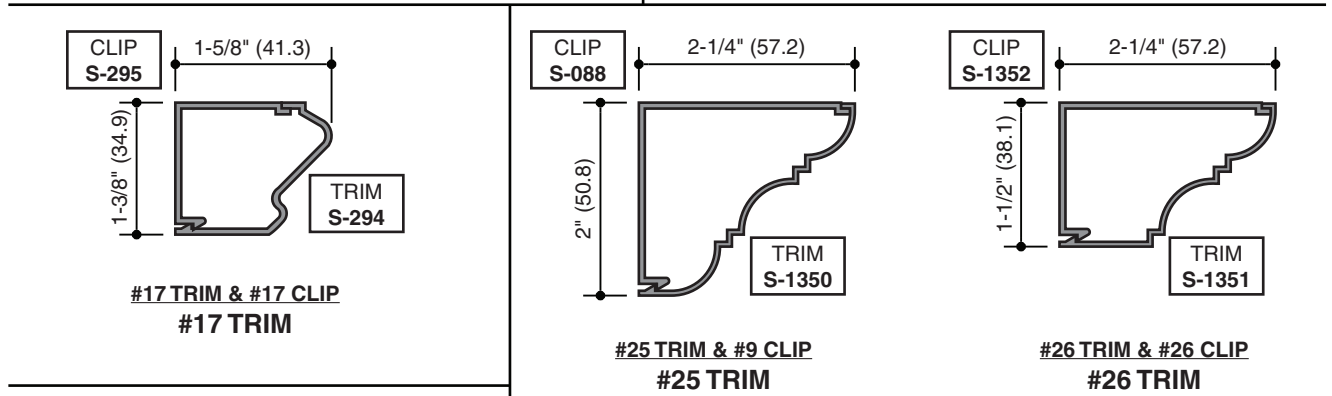
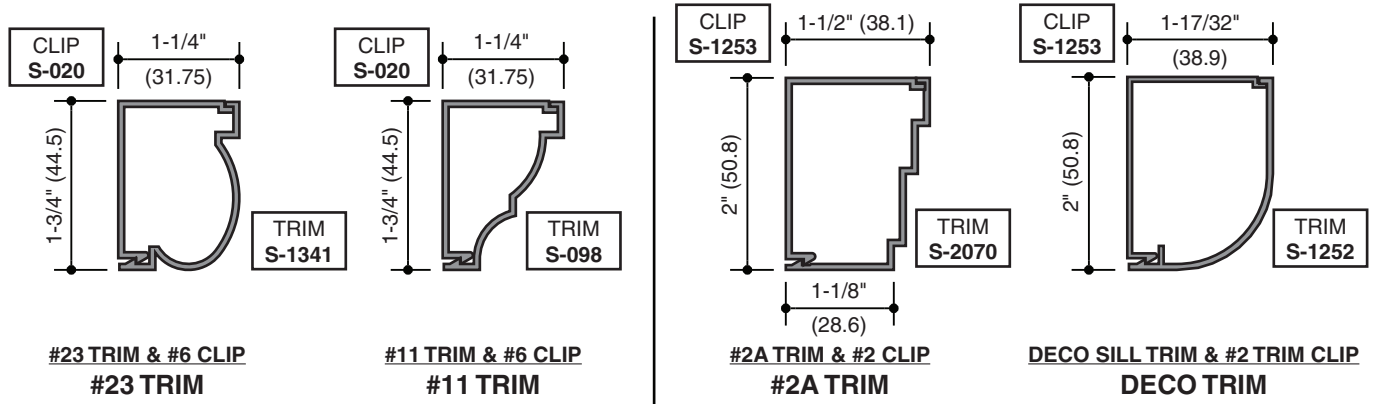
WIDTH	WIDTH OFFSET	HEIGHT	HEIGHT OFFSET	TRIM#	TRIM DIE#	CLIP DIE#
3/4" (19.1)	7/16" (11.1)	1-1/2" (38.1)	3/4" (19.1)	52	S-2078	S-2079
3/4" (19.1)	7/16" (11.1)	1-3/4" (44.5)	3/4" (19.1)	30A	S-1542	S-2015
3/4" (19.1)	3/8" (9.5)	2-3/4" (69.9)	1" (25.4)	24A	S-1348	S-2023
1" (25.4)	3/4" (19.1)	1-1/4" (31.8)	9/16" (14.3)	51	S-2016	S-2017
1-1/4" (31.8)	3/4" (19.1)	3/4" (19.1)	13/32" (10.3)	61	S-017	S-2548
1-1/4" (31.8)	9/16" (14.3)	1-1/4" (31.8)	1" (25.4)	4M	S-015	S-1949
1-1/4" (31.8)	3/4" (19.1)	1-1/4" (31.8)	9/16" (14.3)	4A	S-015	S-1981
1-1/4" (31.8)	3/4" (19.1)	1-3/4" (44.5)	3/4" (19.1)	6B	S-019	S-248
1-1/4" (31.8)	7/8" (22.2)	1-3/4" (44.5)	3/4" (19.1)	6M	S-019	S-2074
1-1/4" (31.8)	7/8" (22.2)	1-3/4" (44.5)	15/16" (23.8)	6C	S-019	S-2077
1-1/4" (31.8)	1" (25.4)	1-3/4" (44.5)	1-1/8" (28.6)	6A	S-019	S-1219
1-1/4" (31.8)	13/16" (20.6)	2" (50.8)	3/4" (19.1)	48	S-1945	S-1946
1-1/4" (31.8)	1" (25.4)	2-1/4" (57.2)	5/8" (15.9)	3M	S-013	S-1968
1-1/4" (31.8)	1/2" (12.7)	2-1/4" (57.2)	1-1/8" (28.6)	110	S-4909	S-4910
1-1/4" (31.8)	3/4" (19.1)	2-1/2" (63.5)	5/8" (15.9)	49	S-1947	S-1948
1-1/2" (38.1)	1" (25.4)	1-1/4" (31.8)	3/4" (19.1)	63	S-2553	S-2554
1-1/2" (38.1)	3/4" (19.1)	2-1/2" (63.5)	1" (25.4)	44	S-1824	S-1825
1-1/2" (38.1)	1/2" (12.7)	2" (50.8)	1" (25.4)	2M	S-1218	S-1969
1-3/4" (44.5)	1" (25.4)	2-1/4" (57.2)	3/4" (19.1)	46	S-1853	S-1854
1-3/4" (44.5)	11/16" (17.5)	2-1/4" (57.2)	1/4" (6.4)	107	S-4635	S-4626
2-1/4" (57.2)	13/16" (20.6)	2" (50.8)	7/8" (22.2)	66	S-089	S-2619

Laws and building and safety codes governing the design and use of glazed entrance, window, and curtain wall products vary widely. Kawneer does not control the selection of product configurations, operating hardware, or glazing materials, and assumes no responsibility therefor.

Kawneer reserves the right to change configuration without prior notice when deemed necessary for product improvement.

© Kawneer Company, Inc., 2014

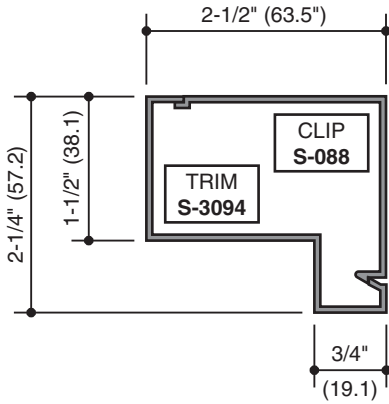
SCALE = HALF



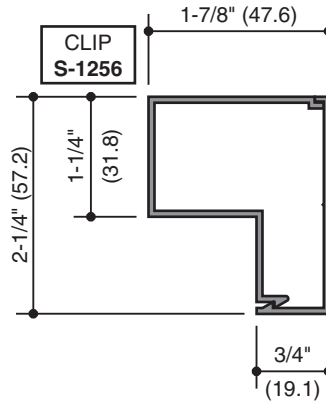
Laws and building and safety codes governing the design and use of glazed entrance, window, and curtain wall products vary widely. Kawneer does not control the selection of product configurations, operating hardware, or glazing materials, and assumes no responsibility therefor.

Kawneer reserves the right to change configuration without prior notice when deemed necessary for product improvement.
© Kawneer Company, Inc., 2014

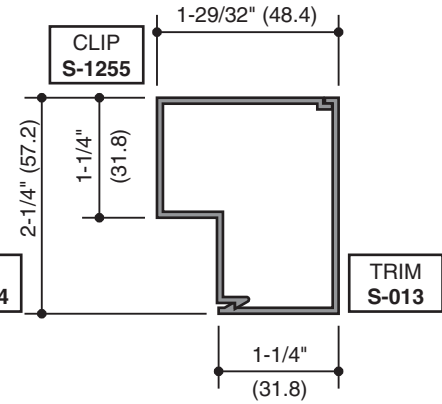
SCALE = HALF



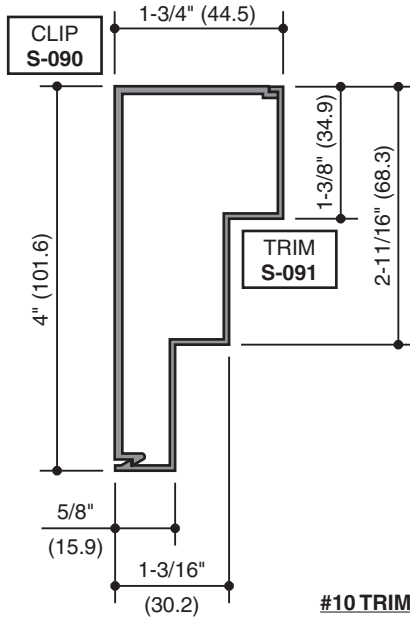
#80 TRIM & #9 CLIP
#80 TRIM



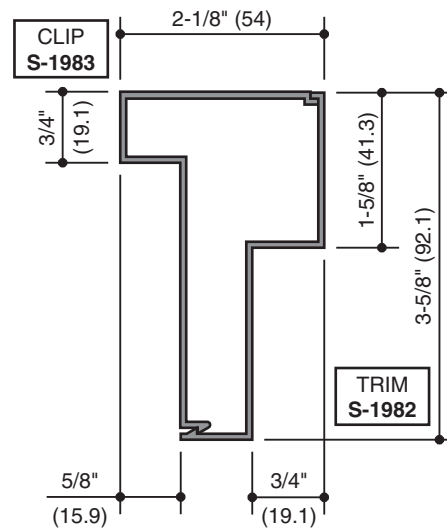
#8 TRIM & #8 CLIP
#8 TRIM



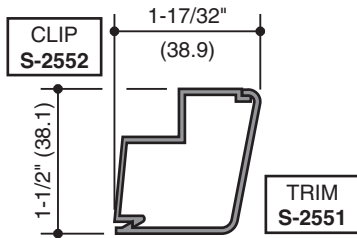
#3A TRIM & #3 CLIP
#3A TRIM



#10 TRIM & #10 CLIP
#10 TRIM



#50 TRIM & #50 CLIP
#50 TRIM

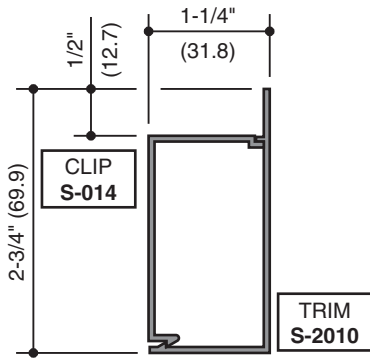


#62 TRIM & #62 CLIP
#62 TRIM

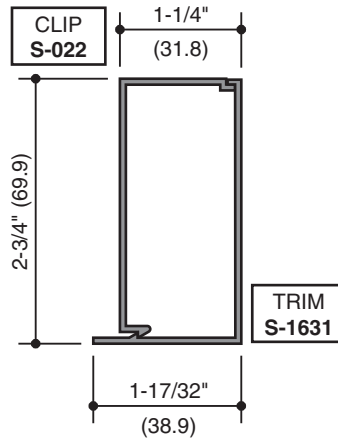
Laws and building and safety codes governing the design and use of glazed entrance, window, and curtain wall products vary widely. Kawneer does not control the selection of product configurations, operating hardware, or glazing materials, and assumes no responsibility therefor.

Kawneer reserves the right to change configuration without prior notice when deemed necessary for product improvement.
© Kawneer Company, Inc., 2014

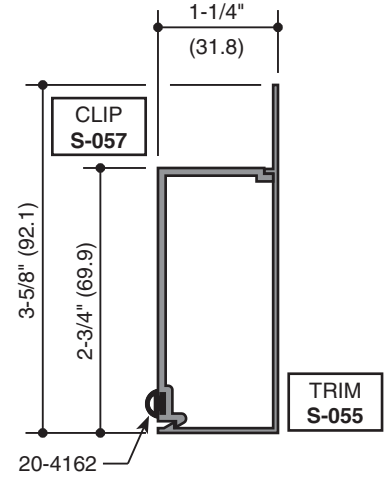
SCALE = HALF



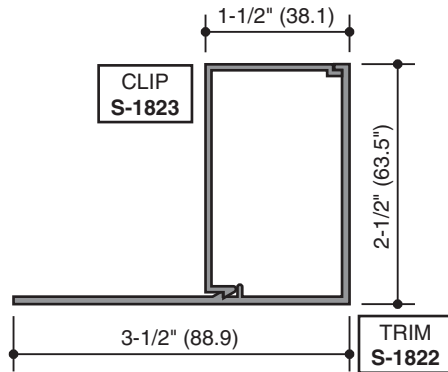
#3B TRIM & #3 CLIP
#3B TRIM



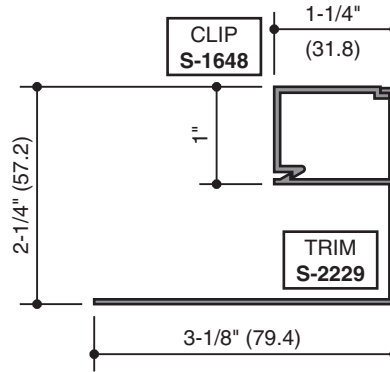
#35 TRIM & #7 CLIP
#35 TRIM



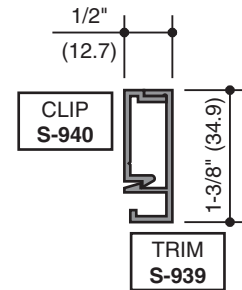
#7A TRIM & #7A CLIP
#7A TRIM



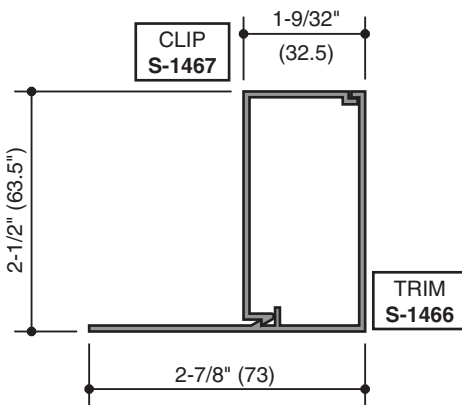
#43 TRIM & #43 CLIP
#43 TRIM



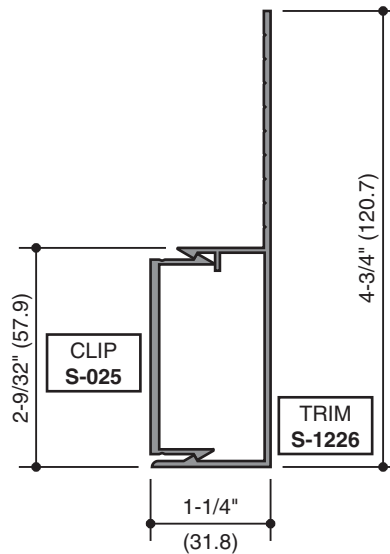
#55 TRIM & #36 CLIP
#55 TRIM



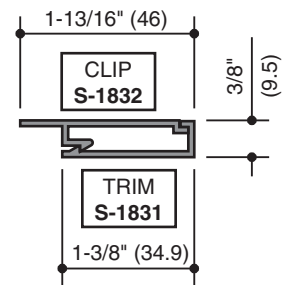
TILT STOP TRIM & CLIP
TILT STOP TRIM



#29 TRIM & #29 CLIP
#29 TRIM



#7B TRIM & 3/4\"/>

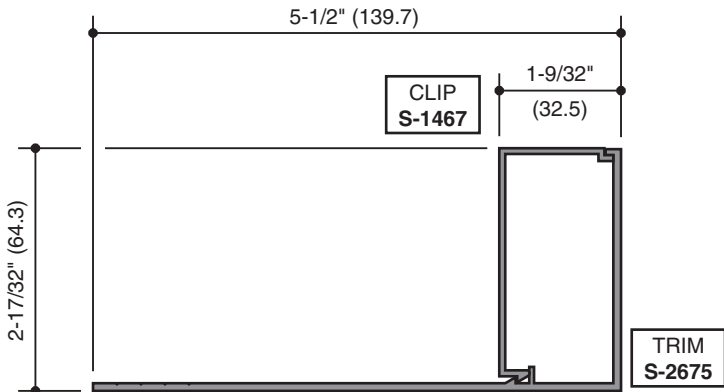


#45 TRIM & #45 CLIP
#45 TRIM

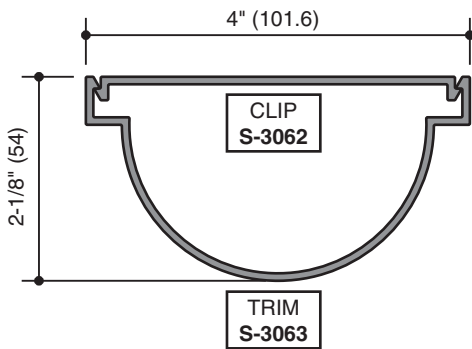
Laws and building and safety codes governing the design and use of glazed entrance, window, and curtain wall products vary widely. Kawneer does not control the selection of product configurations, operating hardware, or glazing materials, and assumes no responsibility therefor.

Kawneer reserves the right to change configuration without prior notice when deemed necessary for product improvement.
© Kawneer Company, Inc., 2014

SCALE = HALF



#70 TRIM & #70 CLIP
#70 TRIM

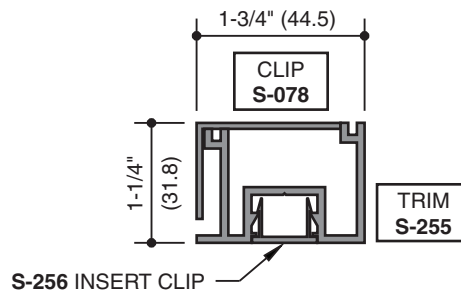


#84 TRIM & #84 CLIP
#84 TRIM

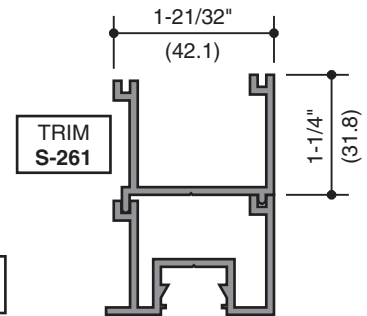
FOR CURVED WINDOWS

NOTE: USED WITH S-078
1" x 1-1/2" x 0.625" ANGLE
1" WIDE PIECES OF ANGLE

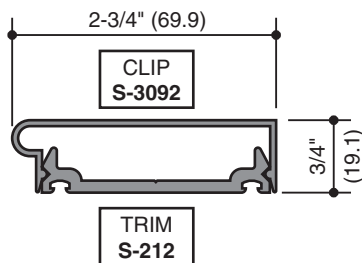
NOTE: DESIGNED TO BE
STACKED WITH #15 TRIM



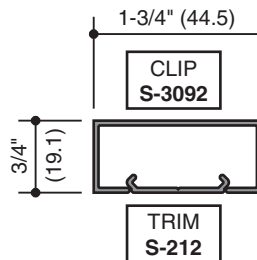
#15 TRIM & #15 TRIM INSERT CLIP
#15 TRIM



CURVE TRIM EXTENDER
#15 TRIM EXTENDER



#85 TRIM & PRESSURE PLATE
#85 TRIM



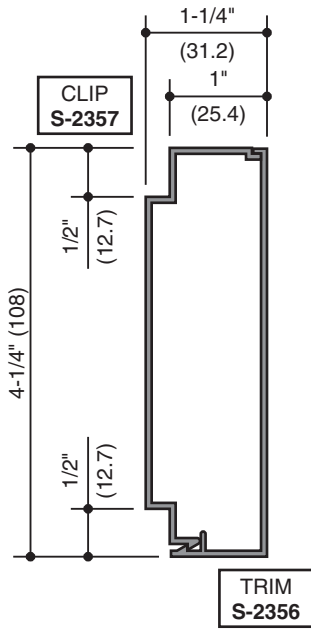
3/4" x 1-3/4" (19.1 x 44.5) TRIM & CLIP
3/4" x 1-3/4" (19.1 x 44.5) TRIM

Laws and building and safety codes governing the design and use of glazed entrance, window, and curtain wall products vary widely. Kawneer does not control the selection of product configurations, operating hardware, or glazing materials, and assumes no responsibility therefor.

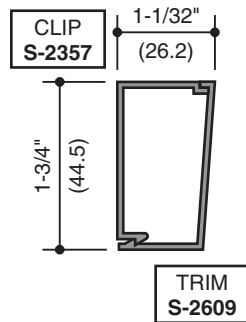
Kawneer reserves the right to change configuration without prior notice when deemed necessary for product improvement.

© Kawneer Company, Inc., 2014

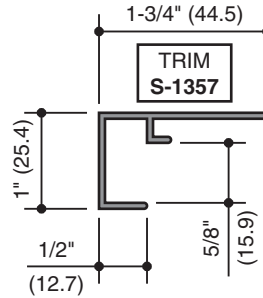
SCALE = HALF



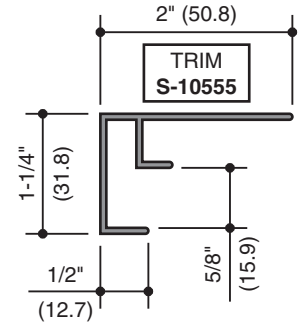
#59 TRIM & #59 CLIP
 #59 TRIM



#68 TRIM & #34 CLIP
 #68 TRIM



1" (25.4) G.W.B. TRIM
 1" (25.4) G.W.B. TRIM

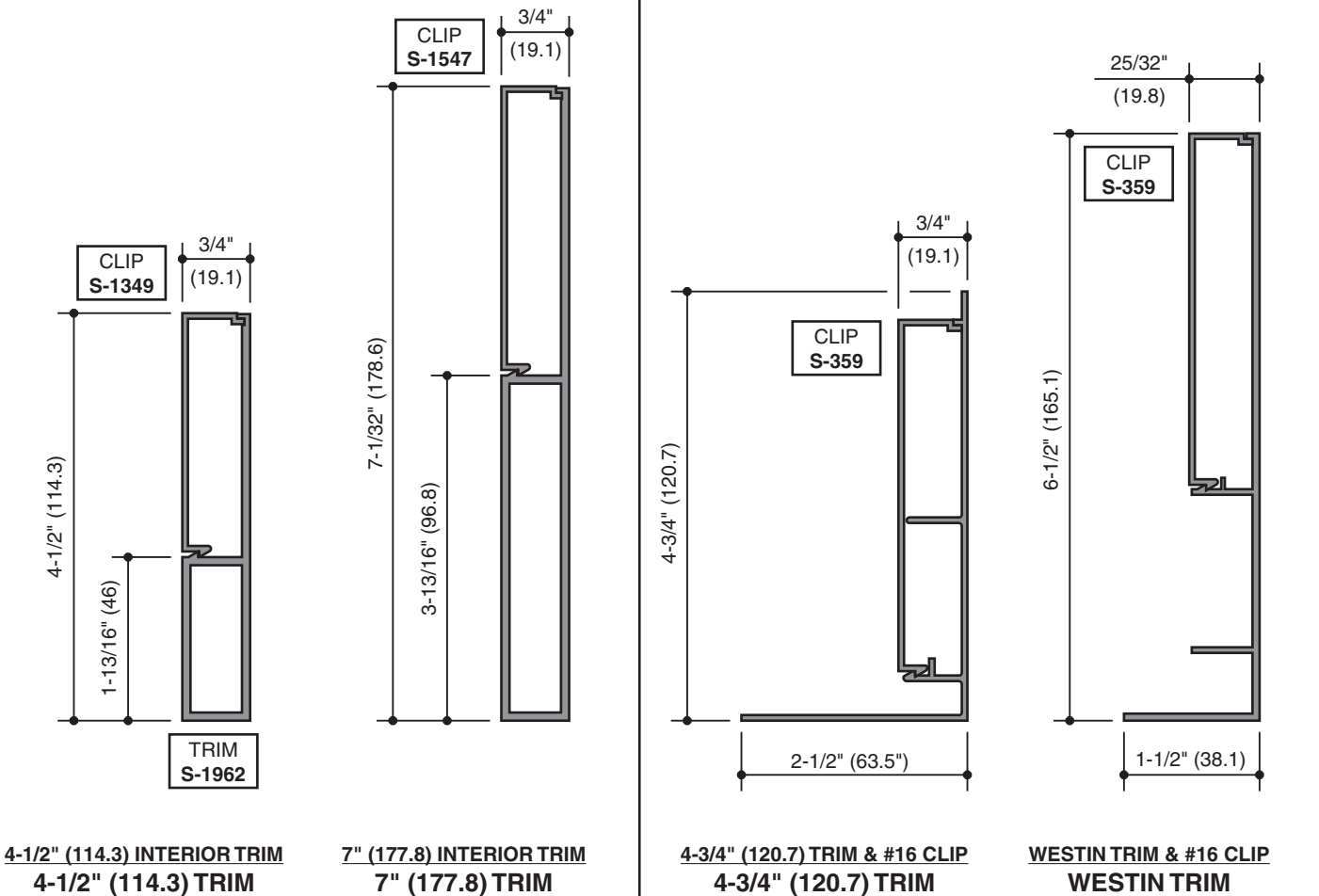
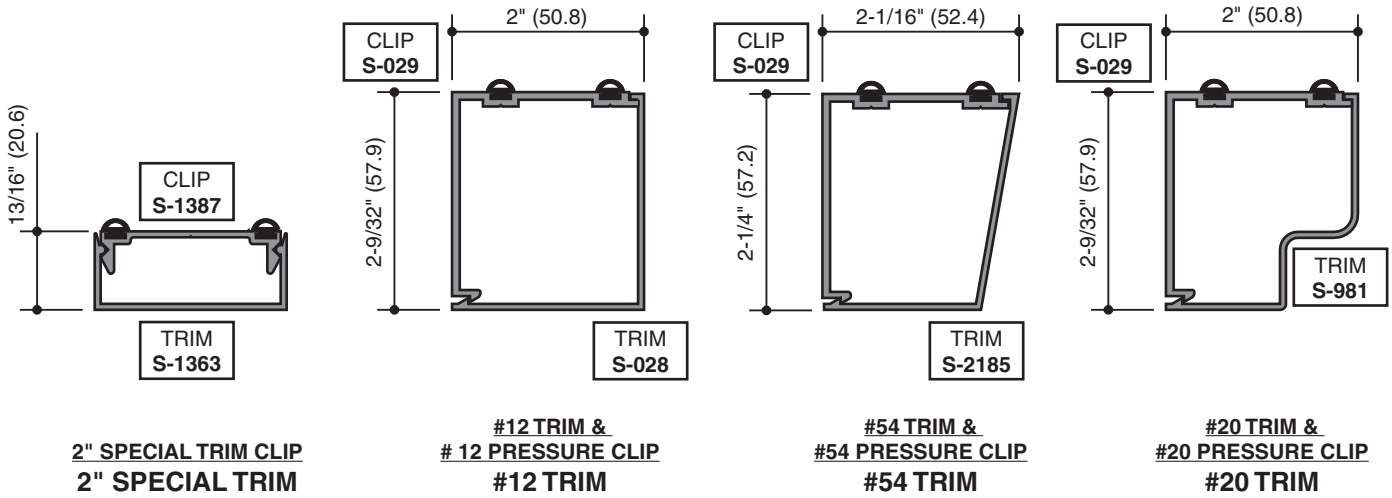


1-1/4" (31.8) G.W.B. TRIM
 1-1/4" (31.8) G.W.B. TRIM

Laws and building and safety codes governing the design and use of glazed entrance, window, and curtain wall products vary widely. Kawneer does not control the selection of product configurations, operating hardware, or glazing materials, and assumes no responsibility therefor.

Kawneer reserves the right to change configuration without prior notice when deemed necessary for product improvement.
 © Kawneer Company, Inc., 2014

SCALE = HALF



Laws and building and safety codes governing the design and use of glazed entrance, window, and curtain wall products vary widely. Kawneer does not control the selection of product configurations, operating hardware, or glazing materials, and assumes no responsibility therefor.

Kawneer reserves the right to change configuration without prior notice when deemed necessary for product improvement.
© Kawneer Company, Inc., 2014