

Features

- Standardized solution for seamless integration with Trifab™ VG 451/451T/451UT, IR 501T, IR 501UT, and Trifab™ 601/601T/601UT storefront framing systems
- Innovative mounting design allows for multiple blade angles
- Tested for combined wind, snow and dead loads
- Multiple blade sizes ranging from 6" (152.4) to 14" (355.6) deep
- Screw spline construction
- Qualifies for up to 3 different LEED certification criteria
- Design allows for thermal expansion and contraction
- Permanodic™ anodized finishes in seven choices
- Painted finishes in standard and custom choices
- Shading performance can be analyzed by Solector™ Sun Shading Estimator Tool

Product Application

- Sunshading for storefronts
- Custom architectural aesthetics

For specific product applications,
Consult your Kawneer representative.

Laws and building and safety codes governing the design and use of glazed entrance, window, and curtain wall products vary widely. Kawneer does not control the selection of product configurations, operating hardware, or glazing materials, and assumes no responsibility therefor.

Kawneer reserves the right to change configuration without prior notice when deemed necessary for product improvement.

© Kawneer Company, Inc., 2011

Architects - Most extrusions illustrated in this catalog are standard products for Kawneer. These concepts have been expanded and modified to afford you design freedom. Some miscellaneous details are non-standard and are intended to demonstrate how the system can be modified to expand design flexibility. Please contact your Kawneer representative for further assistance.

TRIFAB™ VG 451/451T/451UT DETAILS 4

TRIFAB™ 601/601T/601UT DETAILS 5

IR 501T/IR 501UT DETAILS 6

SPLICE JOINT / END CAP DETAILS..... 7

BLADE OPTIONS 8

BLADE ANGLE CONFIGURATIONS 9

LOAD CHARTS 10, 11

LAWS AND BUILDING AND SAFETY CODES GOVERNING THE DESIGN AND USE OF GLAZED ENTRANCE, WINDOW, AND CURTAIN WALL PRODUCTS VARY WIDELY. KAWNEER DOES NOT CONTROL THE SELECTION OF PRODUCT CONFIGURATIONS, OPERATING HARDWARE, OR GLAZING MATERIALS, AND ASSUMES NO RESPONSIBILITY THEREFOR.

Metric (SI) conversion figures are included throughout these details for reference. Numbers in parentheses () are millimeters unless otherwise noted.

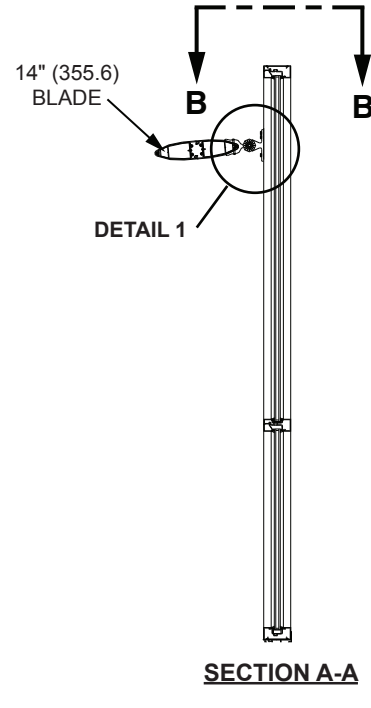
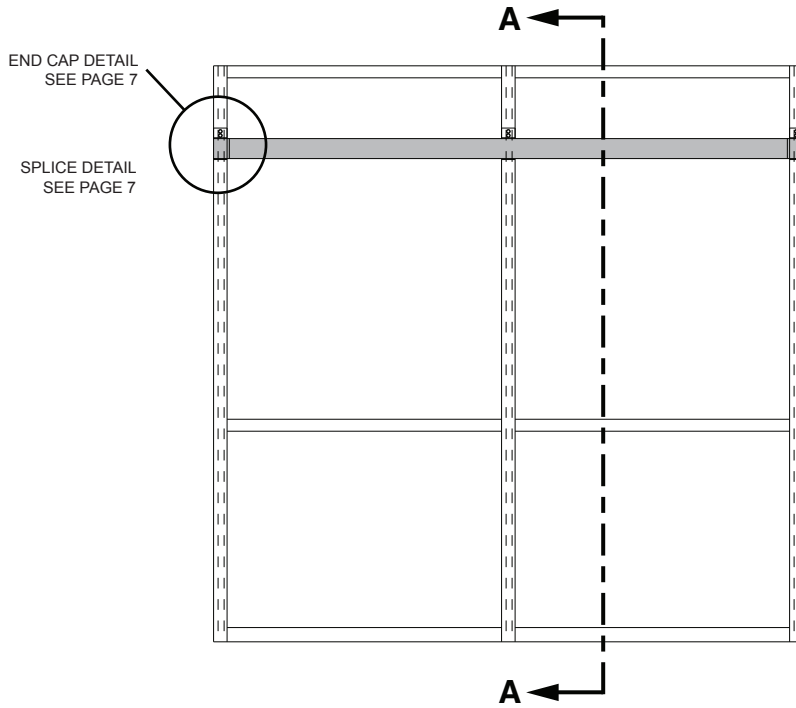
The following metric (SI) units are found in these details:

- m – meter
- cm – centimeter
- mm – millimeter
- s – second
- Pa – pascal
- MPa – megapascal

Laws and building and safety codes governing the design and use of glazed entrance, window, and curtain wall products vary widely. Kawneer does not control the selection of product configurations, operating hardware, or glazing materials, and assumes no responsibility therefor.

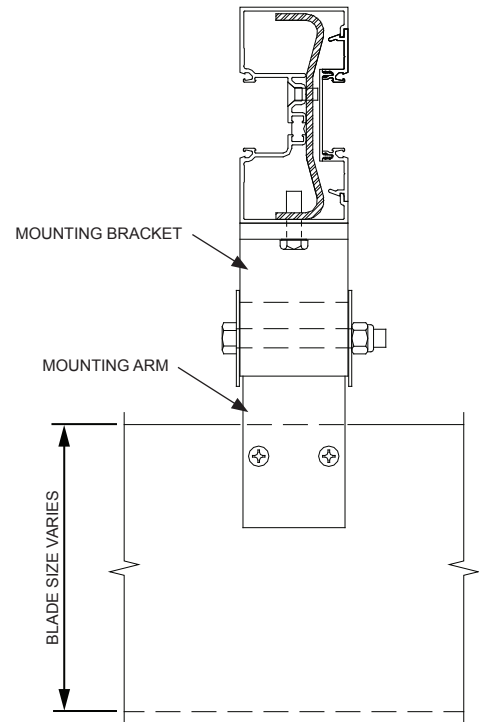
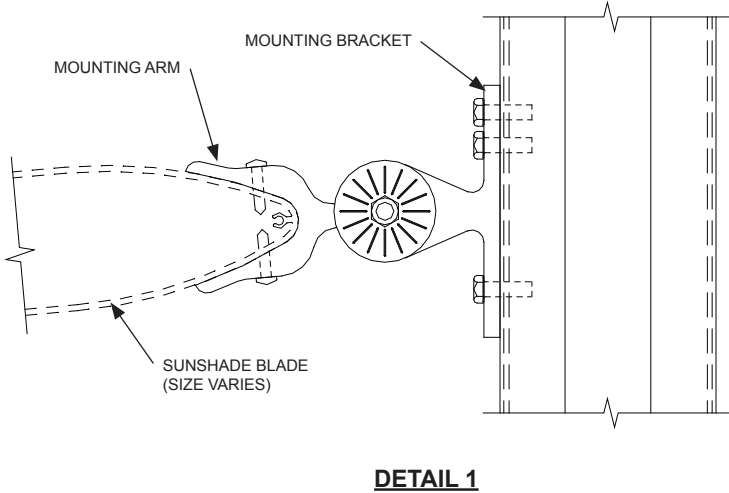
Kawneer reserves the right to change configuration without prior notice when deemed necessary for product improvement.
© Kawneer Company, Inc., 2011

HORIZONTAL BLADE WITH TRIFAB™ VG 451/451T/451UT TYPICAL ELEVATION



NOTE:
Horizontal SunShades are not recommended directly over entrances and walkways to eliminate any risk of injury due to falling ice or snow.

Trifab™ VG 451T Shown
451 and 451UT Systems Similar



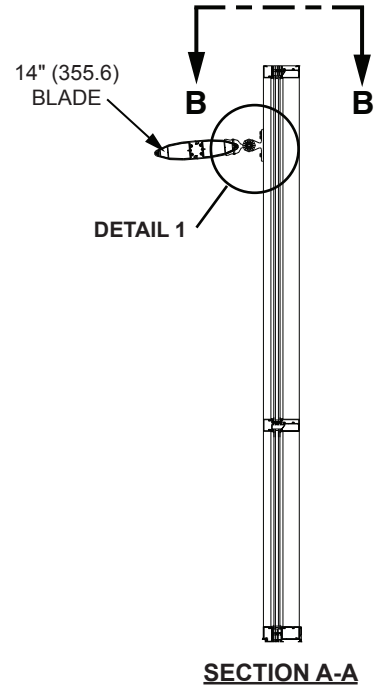
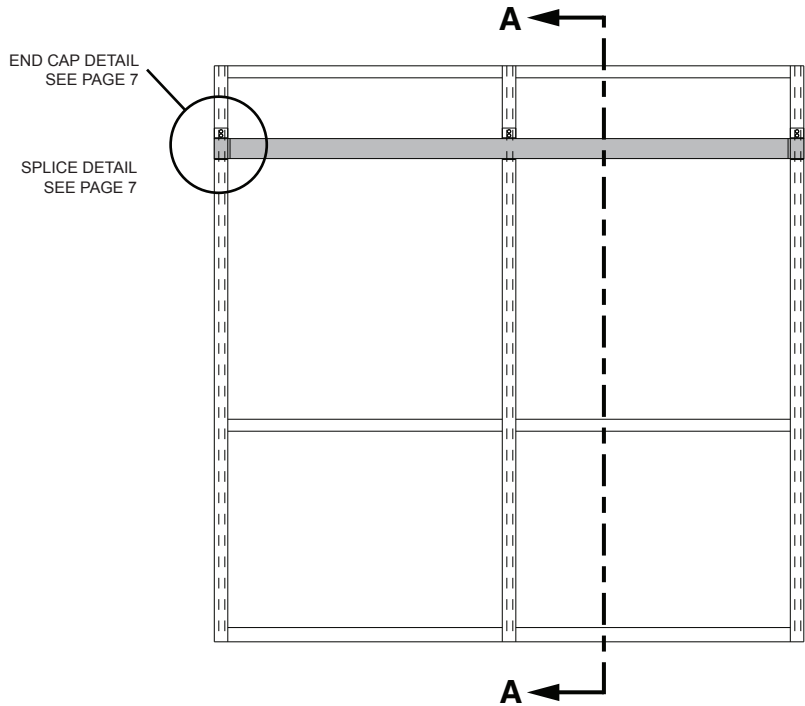
NOTE: SEE PAGE 8 FOR SUNSHADE BLADE OPTIONS

SECTION B-B

Laws and building and safety codes governing the design and use of glazed entrance, window, and curtain wall products vary widely. Kawneer does not control the selection of product configurations, operating hardware, or glazing materials, and assumes no responsibility therefor.

Kawneer reserves the right to change configuration without prior notice when deemed necessary for product improvement.
© Kawneer Company, Inc., 2011

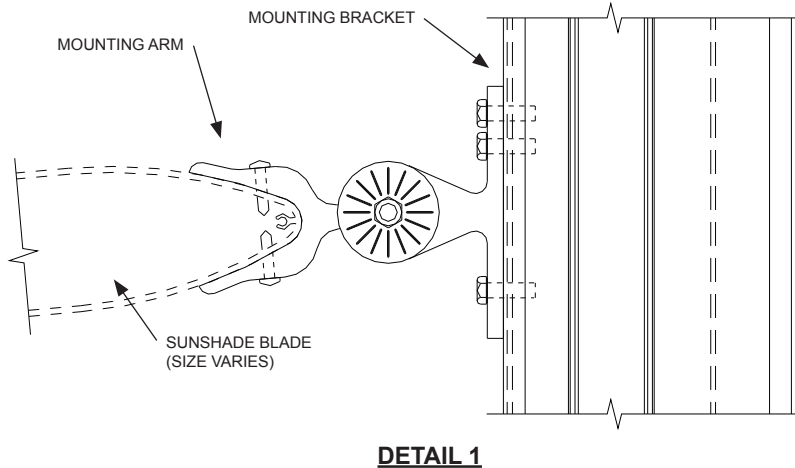
HORIZONTAL BLADE WITH TRIFAB™ 601/601T/601UT TYPICAL ELEVATION



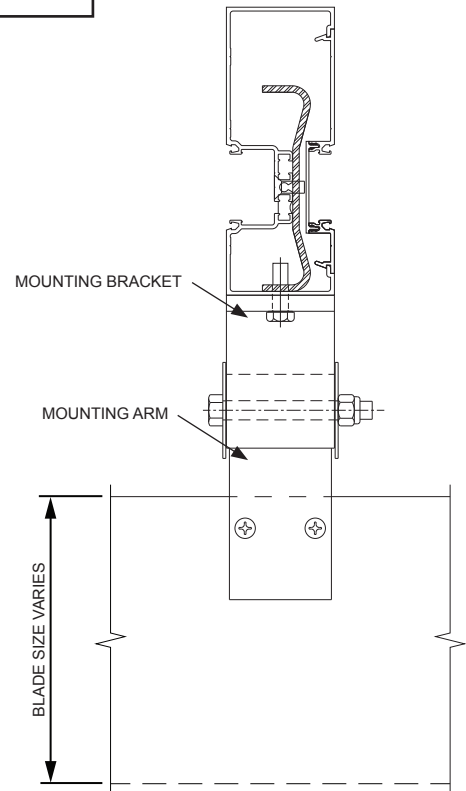
SECTION A-A

NOTE:
Horizontal SunShades are not recommended directly over entrances and walkways to eliminate any risk of injury due to falling ice or snow.

Trifab™ 601T Shown
601 and 601UT Systems Similar



DETAIL 1



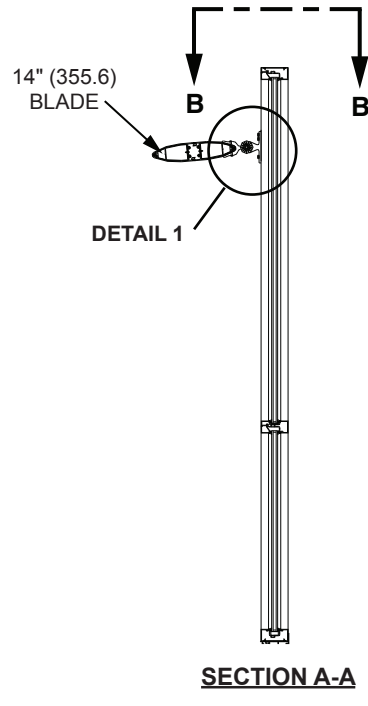
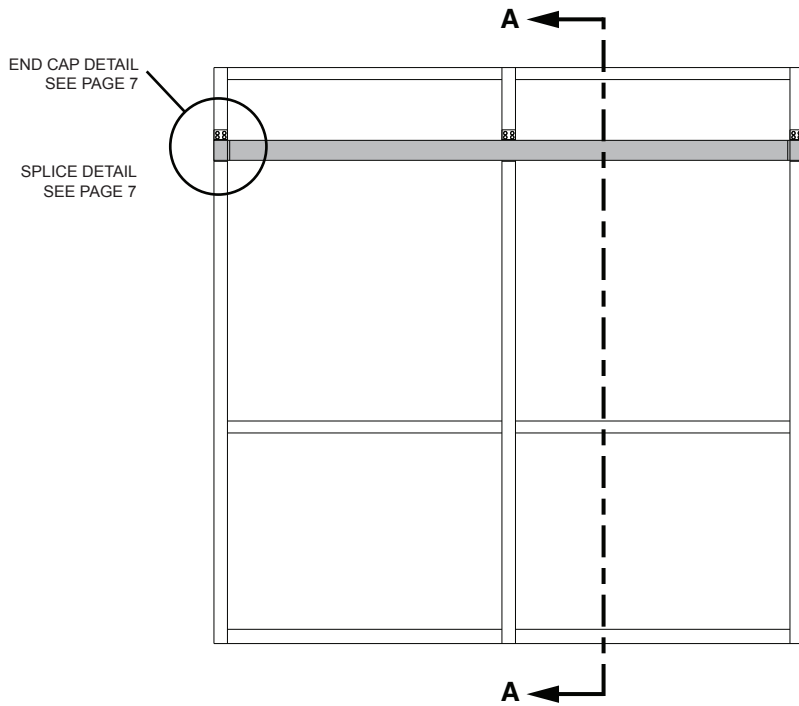
SECTION B-B

NOTE: SEE PAGE 8 FOR SUNSHADE BLADE OPTIONS

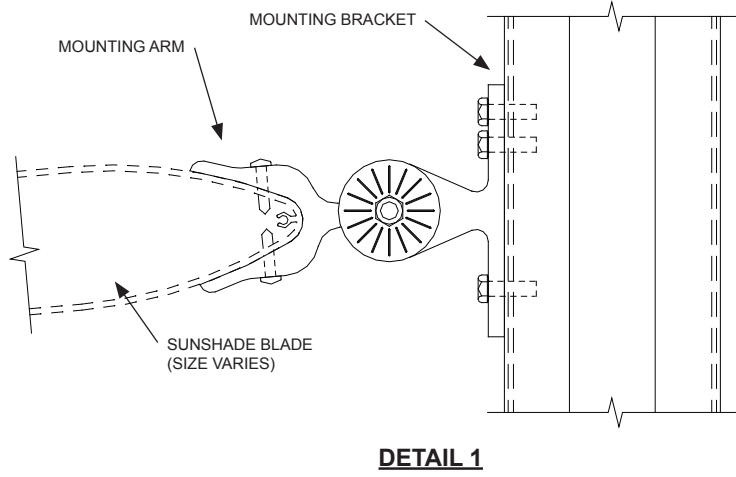
Laws and building and safety codes governing the design and use of glazed entrance, window, and curtain wall products vary widely. Kawneer does not control the selection of product configurations, operating hardware, or glazing materials, and assumes no responsibility therefor.

Kawneer reserves the right to change configuration without prior notice when deemed necessary for product improvement.
© Kawneer Company, Inc., 2011

**HORIZONTAL BLADE WITH IR 501T/IR 501UT
TYPICAL ELEVATION**

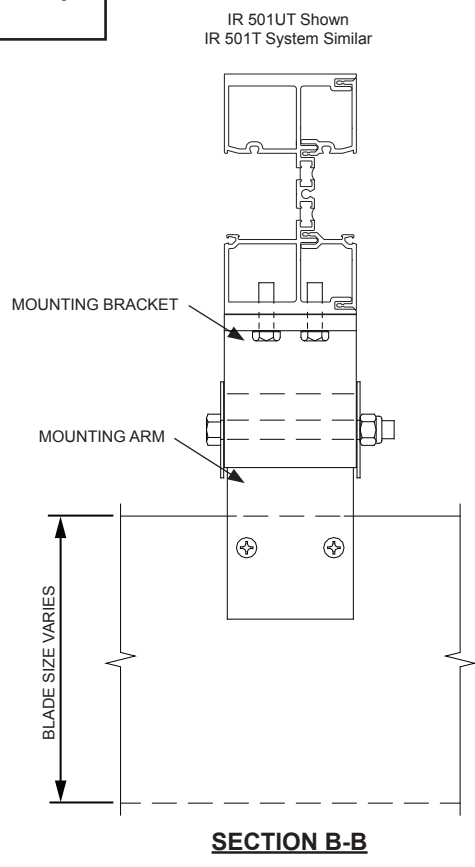


NOTE:
Horizontal SunShades are not recommended directly over entrances and walkways to eliminate any risk of injury due to falling ice or snow.



DETAIL 1

NOTE: SEE PAGE 8 FOR SUNSHADE BLADE OPTIONS



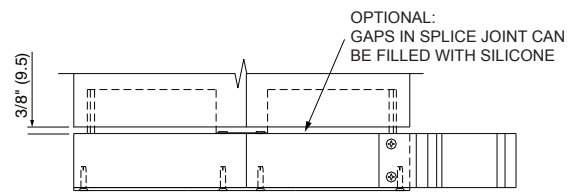
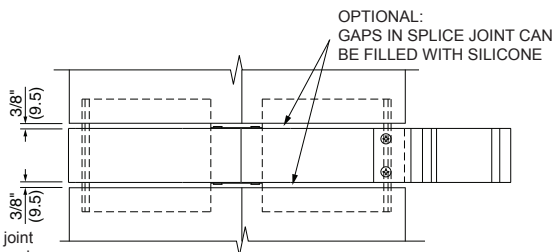
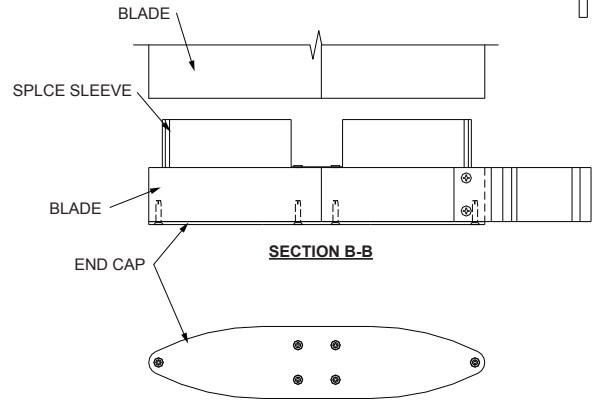
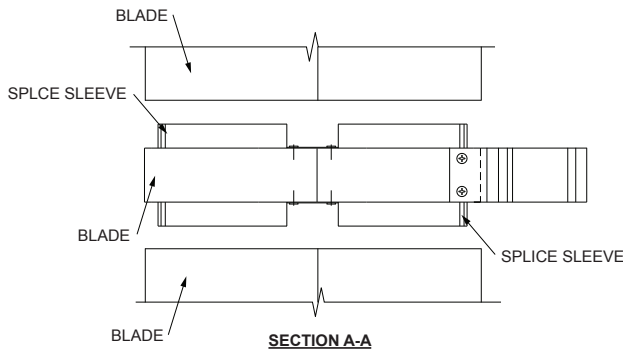
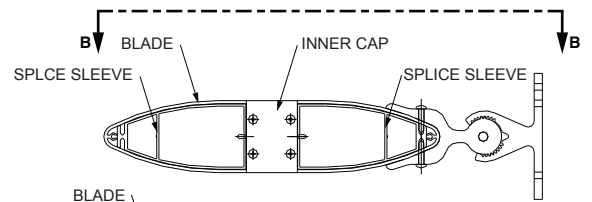
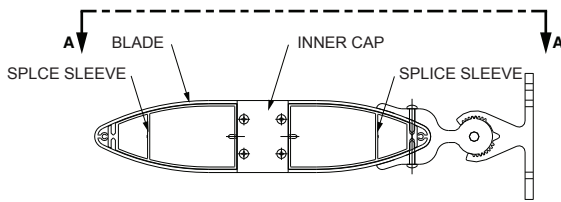
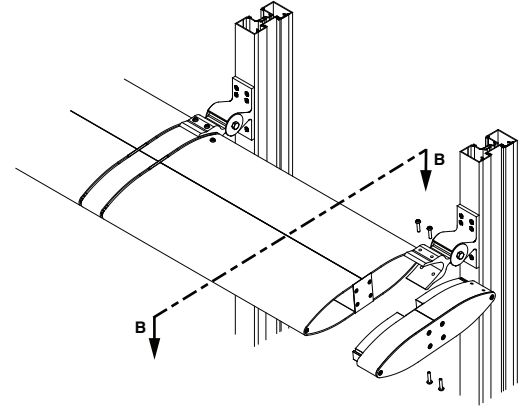
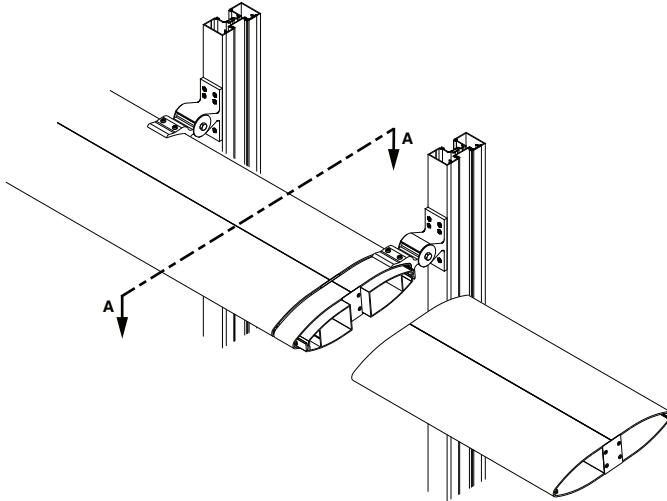
SECTION B-B

Laws and building and safety codes governing the design and use of glazed entrance, window, and curtain wall products vary widely. Kawneer does not control the selection of product configurations, operating hardware, or glazing materials, and assumes no responsibility therefor.

Kawneer reserves the right to change configuration without prior notice when deemed necessary for product improvement.
© Kawneer Company, Inc., 2011

SPLICE JOINT ASSEMBLY

END CAP ASSEMBLY



Typical Splice joint for Thermal Expansion

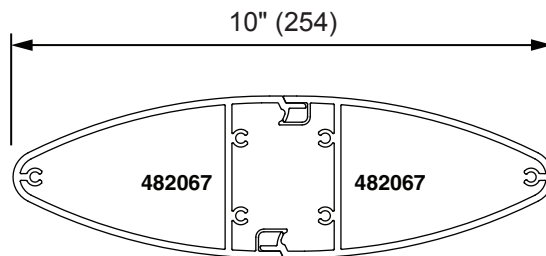
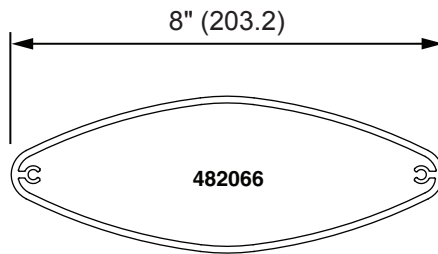
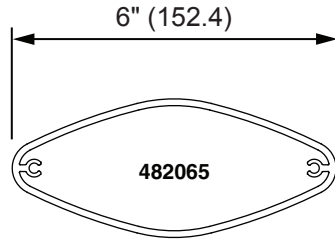
Typical Splice joint for Thermal Expansion

ASSEMBLED VIEW

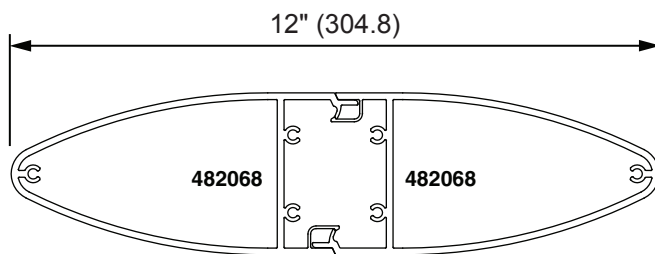
ASSEMBLED VIEW

Laws and building and safety codes governing the design and use of glazed entrance, window, and curtain wall products vary widely. Kawneer does not control the selection of product configurations, operating hardware, or glazing materials, and assumes no responsibility therefor.

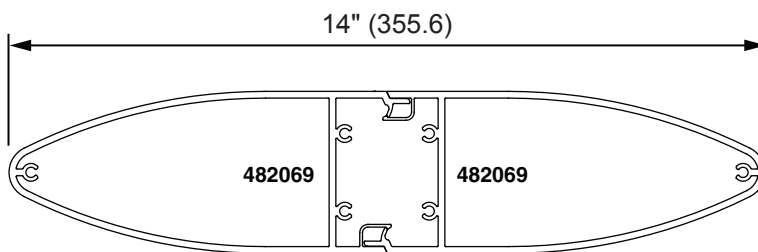
Kawneer reserves the right to change configuration without prior notice when deemed necessary for product improvement.
© Kawneer Company, Inc., 2011



Note:
10" blade assembly
requires two 482067.



Note:
12" blade assembly
requires two 482068.

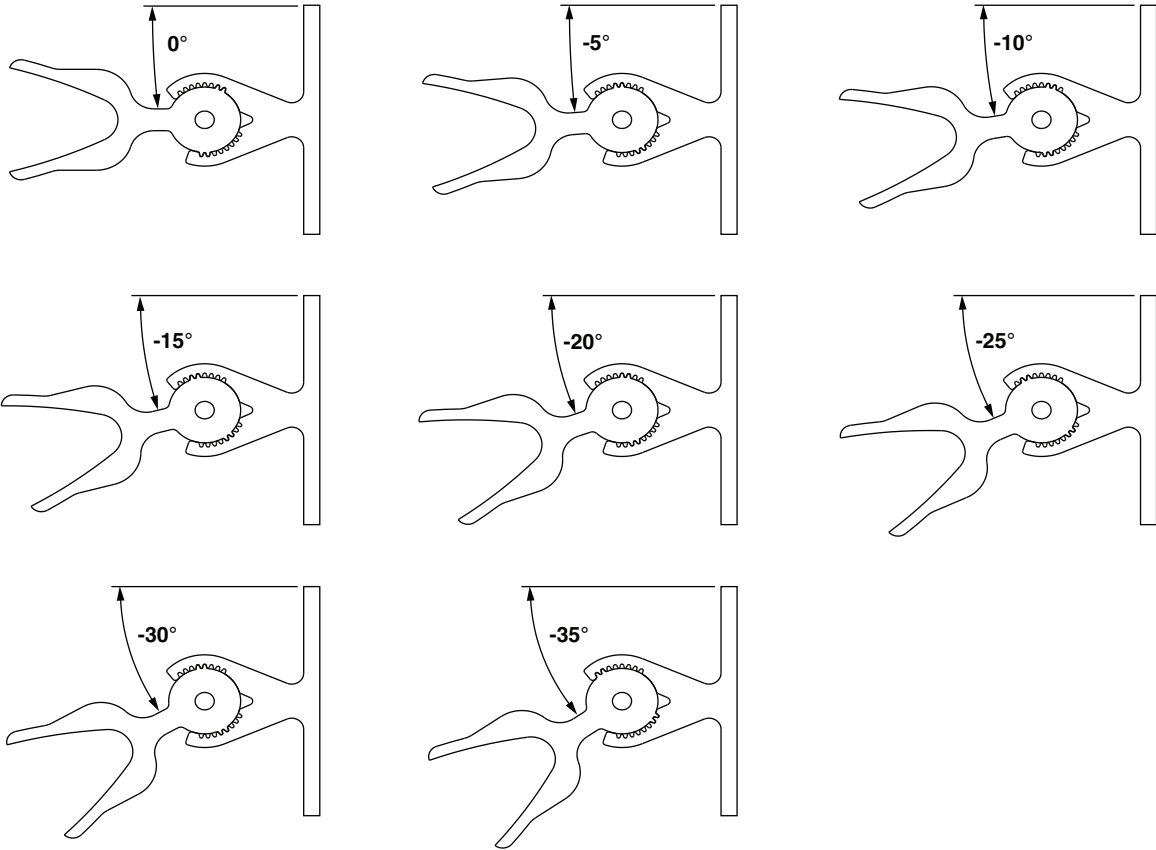


Note:
14" blade assembly
requires two 482069.

Laws and building and safety codes governing the design and use of glazed entrance, window, and curtain wall products vary widely. Kawneer does not control the selection of product configurations, operating hardware, or glazing materials, and assumes no responsibility therefor.

Kawneer reserves the right to change configuration without prior notice when deemed necessary for product improvement.
© Kawneer Company, Inc., 2011

ANGLES FOR HORIZONTAL SINGLE BLADE APPLICATIONS 0° TO -35° ROTATION



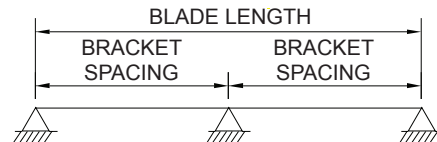
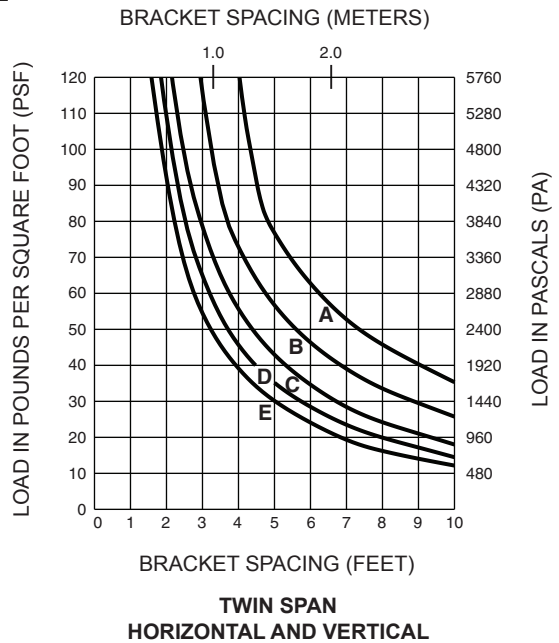
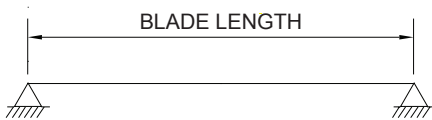
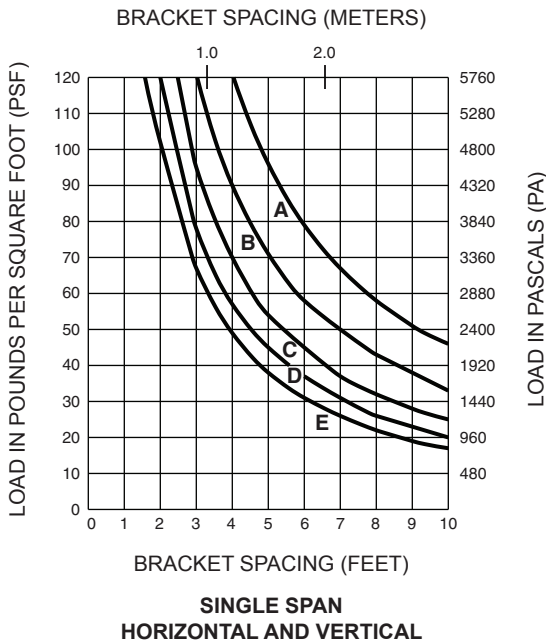
NOTE:
**MOUNTING BRACKET AND MOUNTING ARM ARE AVAILABLE IN PAINTED
 FINISH ONLY AND WILL BE FINISHED TO MATCH ANODIZED FINISH**

Laws and building and safety codes governing the design and use of glazed entrance, window, and curtain wall products vary widely. Kawneer does not control the selection of product configurations, operating hardware, or glazing materials, and assumes no responsibility therefor.

Kawneer reserves the right to change configuration without prior notice when deemed necessary for product improvement.
 © Kawneer Company, Inc., 2011

LOAD IS A COMBINATION OF ALL APPLIED LOADS, SUCH AS WIND, SNOW, ICE, ETC. ACTING PERPENDICULAR TO THE BLADE. CHARTS HAVE BEEN ADJUSTED TO ACCOUNT FOR THE DEAD LOADS OF THE BLADES. THEREFORE DEAD LOADS DO NOT NEED TO BE INCLUDED IN LOAD DETERMINATION. CHARTS ARE BASED ON A MAXIMUM LOAD ON THE ANCHOR BRACKET OF 250 LBS (113 KG). CHARTS ARE BASED ON BLADE DEFLECTION, STRESSES AND ATTACHMENT ONLY AND DOES NOT INCLUDE DEFLECTION AND STRESSES IN MULLION SUPPORT.

- A = 6 INCH (152.4) BLADE
- B = 8 INCH (203.2) BLADE
- C = 10 INCH (254) BLADE
- D = 12 INCH (304.8) BLADE
- E = 14 INCH (355.6) BLADE



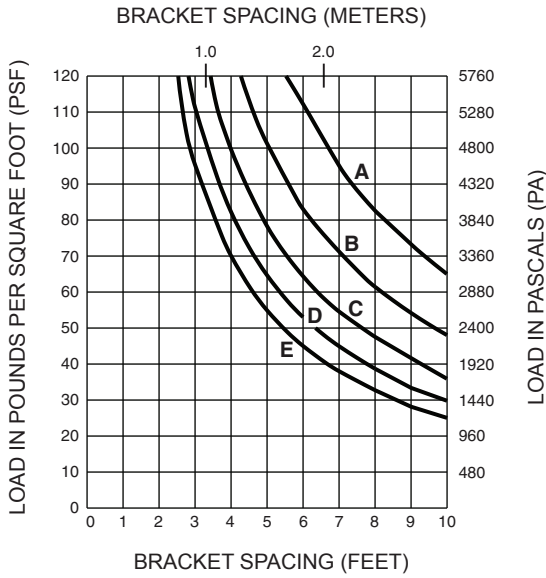
Laws and building and safety codes governing the design and use of glazed entrance, window, and curtain wall products vary widely. Kawneer does not control the selection of product configurations, operating hardware, or glazing materials, and assumes no responsibility therefor.

Kawneer reserves the right to change configuration without prior notice when deemed necessary for product improvement.

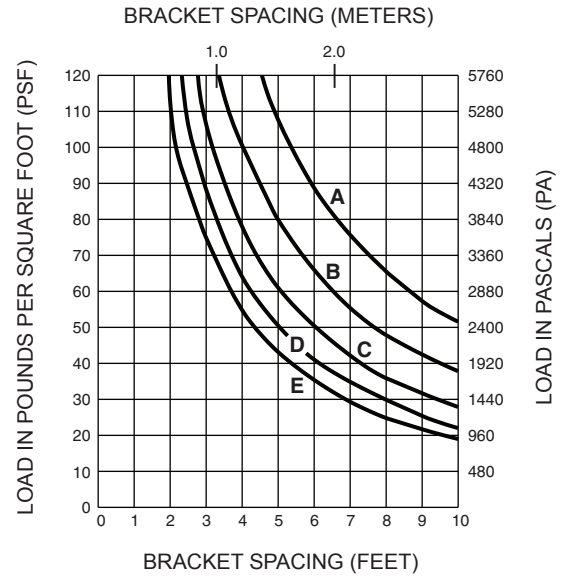
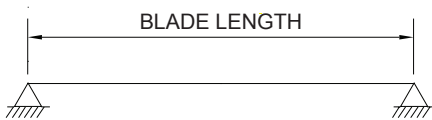
© Kawneer Company, Inc., 2011

LOAD IS A COMBINATION OF ALL APPLIED LOADS, SUCH AS WIND, SNOW, ICE, ETC. ACTING PERPENDICULAR TO THE BLADE. CHARTS HAVE BEEN ADJUSTED TO ACCOUNT FOR THE DEAD LOADS OF THE BLADES. THEREFORE DEAD LOADS DO NOT NEED TO BE INCLUDED IN LOAD DETERMINATION. CHARTS ARE BASED ON A MAXIMUM LOAD ON THE ANCHOR BRACKET OF 350 LBS (157 KG). CHARTS ARE BASED ON BLADE DEFLECTION, STRESSES AND ATTACHMENT ONLY AND DOES NOT INCLUDE DEFLECTION AND STRESSES IN MULLION SUPPORT.

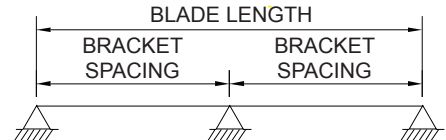
- A = 6 INCH (152.4) BLADE
- B = 8 INCH (203.2) BLADE
- C = 10 INCH (254) BLADE
- D = 12 INCH (304.8) BLADE
- E = 14 INCH (355.6) BLADE



**SINGLE SPAN
HORIZONTAL AND VERTICAL**



**TWIN SPAN
HORIZONTAL AND VERTICAL**



Laws and building and safety codes governing the design and use of glazed entrance, window, and curtain wall products vary widely. Kawneer does not control the selection of product configurations, operating hardware, or glazing materials, and assumes no responsibility therefor.

Kawneer reserves the right to change configuration without prior notice when deemed necessary for product improvement.
© Kawneer Company, Inc., 2011

Laws and building and safety codes governing the design and use of glazed entrance, window, and curtain wall products vary widely. Kawneer does not control the selection of product configurations, operating hardware, or glazing materials, and assumes no responsibility therefor.

Kawneer reserves the right to change configuration without prior notice when deemed necessary for product improvement.

© Kawneer Company, Inc., 2011