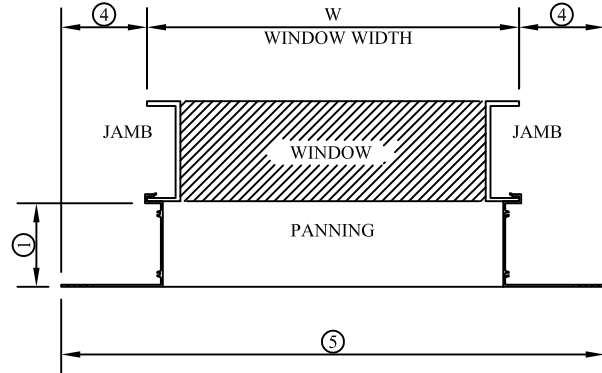
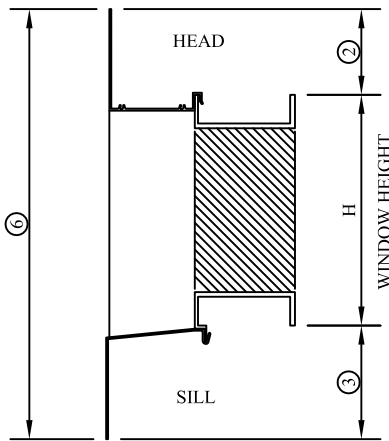


Straight Leg Calculations



RETURN LEG (CANNOT BE EXTENDED OR TRIMMED) SEE DIE DRAWINGS FOR LEG DIMENSION
STRAIGHT LEG (CAN BE FIELD EXTENDED, WITH EXPANDER, OR FIELD TRIMMED)

PROJECTION ①	RETURN LEG	HEAD	JAMB	SILL	NET GAINS OVER WINDOW SIZE			PANNING TIP-TO-TIP	
		DIE NAME DIE NO.	DIE NAME DIE NO.	DIE NAME DIE NO.	HEAD ②	JAMB ④	SILL ③	WIDTH ⑤	HEIGHT ⑥
1/16"		HT S-281	HT S-281	HT H-282	2 1/16"	2 1/16"	2 1/2"	W+4 1/8"	H+4 9/16"
		HT S-281	HT S-281	KK S-1230	2 1/16"	2 1/16"	3"	W+4 1/8"	H+5 1/16"
3/4"		B S-001	B S-001	B S-002	1 1/2"	1 1/2"	1 11/16"	W+3"	H+3 3/16"
		B S-001	B S-001	CC S-476	1 1/2"	1 1/2"	3 1/4"	W+3"	H+4 3/4"
		B S-001	B S-001	D S-004	1 1/2"	1 1/2"	3 3/8"	W+3"	H+4 7/8"
		B S-001	B S-001	E S-041	1 1/2"	1 1/2"	3"	W+3"	H+4 1/2"
		B S-001	B S-001	E2 S-2278	1 1/2"	1 1/2"	2 1/2"	W+3"	H+4"
		B S-001	B S-001	EB S-1992	1 1/2"	1 1/2"	2 11/16"	W+3"	H+4 3/16"
		B S-001	B S-001	EE S-448	1 1/2"	1 1/2"	3 3/16"	W+3"	H+4 11/16"
		B S-001	B S-001	EM S-2278	1 1/2"	1 1/2"	3 1/2"	W+3"	H+5"
		B S-001	B S-001	KK S-1230	1 1/2"	1 1/2"	3"	W+3"	H+4 1/2"
		B S-001	B S-001	L S-260	1 1/2"	1 1/2"	4 3/4"	W+3"	H+6 1/4"
		B S-001	B S-001	T S-259	1 1/2"	1 1/2"	3 15/16"	W+3"	H+5 7/16"
		B S-001	B S-001	Z S-247	1 1/2"	1 1/2"	4 1/2"	W+3"	H+6"
		B S-001	E S-040	B S-002	1 1/2"	2 9/16"	1 11/16"	W+5 1/8"	H+3 3/16"
		B S-001	E S-040	CC S-476	1 1/2"	2 9/16"	3 3/16"	W+5 1/8"	H+4 11/16"
	B S-001	E S-040	E S-041	1 1/2"	2 9/16"	3"	W+5 1/8"	H+4 1/2"	