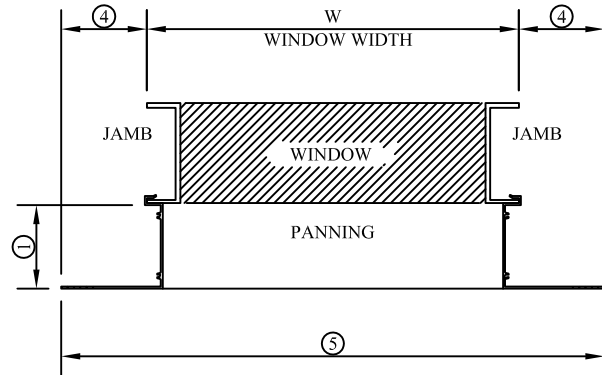
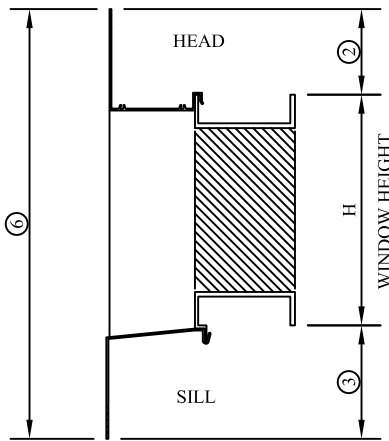


Straight Leg Calculations



RETURN LEG (CANNOT BE EXTENDED OR TRIMMED) SEE DIE DRAWINGS FOR LEG DIMENSION
 STRAIGHT LEG (CAN BE FIELD EXTENDED, WITH EXPANDER, OR FIELD TRIMMED)

PROJECTION ①	RETURN LEG	HEAD	JAMB	SILL	NET GAINS OVER WINDOW SIZE			PANNING TIP-TO-TIP	
		DIE NAME DIE NO.	DIE NAME DIE NO.	DIE NAME DIE NO.	HEAD ②	JAMB ④	SILL ③	WIDTH ⑤	HEIGHT ⑥
3/4"		B S-001	E S-040	EB S-1992	1 1/2"	2 9/16"	2 11/16"	W+5 1/8"	H+4 3/16"
		B S-001	E S-040	EM S-569	1 1/2"	2 9/16"	3 1/2"	W+5 1/8"	H+5"
		B S-001	E S-040	KK S-1230	1 1/2"	2 9/16"	3 1/2"	W+5 1/8"	H+5"
		B S-001	EM S-563	B S-002	1 1/2"	3 9/16"	1 11/16"	W+7 1/8"	H+3 3/16"
		B S-001	EM S-563	CC S-476	1 1/2"	3 9/16"	3 3/16"	W+7 1/8"	H+4 11/16"
		B S-001	EM S-563	KK S-1230	1 1/2"	3 9/16"	3 1/2"	W+7 1/8"	H+5"
		E S-040	B S-001	B S-002	2 9/16"	1 1/2"	1 11/16"	W+3"	H+4 1/4"
		E S-040	B S-001	CC S-476	2 9/16"	1 1/2"	3 3/16"	W+3"	H+5 3/4"
		E S-040	B S-001	E S-041	2 9/16"	1 1/2"	3"	W+3"	H+5 9/16"
		E S-040	B S-001	EB S-1992	2 9/16"	1 1/2"	2 11/16"	W+3"	H+5 1/4"
		E S-040	B S-001	EM S-564	2 9/16"	1 1/2"	3 1/2"	W+3"	H+6 1/16"
		E S-040	B S-001	KK S-1230	2 9/16"	1 1/2"	3"	W+3"	H+5 9/16"
		E S-040	E S-040	B S-001	2 9/16"	2 9/16"	1 11/16"	W+5 1/8"	H+4 1/4"
		E S-040	E S-040	C S-006	2 9/16"	2 9/16"	3 9/16"	W+5 1/8"	H+6 1/8"
		E S-040	E S-040	CC S-476	2 9/16"	2 9/16"	3 3/16"	W+5 1/8"	H+5 3/4"
		E S-040	E S-040	D S-004	2 9/16"	2 9/16"	3 3/8"	W+5 1/8"	H+5 15/16"
		E S-040	E S-040	E S-041	2 9/16"	2 9/16"	3"	W+5 1/8"	H+5 9/16"