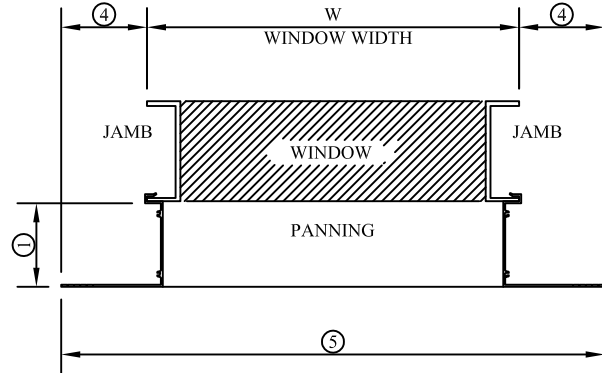
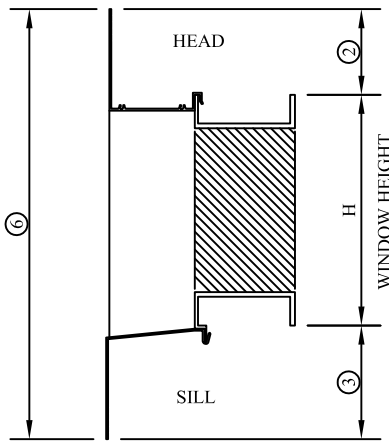


Straight Leg Calculations



RETURN LEG (CANNOT BE EXTENDED OR TRIMMED) SEE DIE DRAWINGS FOR LEG DIMENSION
 STRAIGHT LEG (CAN BE FIELD EXTENDED, WITH EXPANDER, OR FIELD TRIMMED)

PROJECTION ①	RETURN LEG	HEAD	JAMB	SILL	NET GAINS OVER WINDOW SIZE			PANNING TIP-TO-TIP	
		DIE NAME DIE NO.	DIE NAME DIE NO.	DIE NAME DIE NO.	HEAD ②	JAMB ④	SILL ③	WIDTH ⑤	HEIGHT ⑥
3/4"		E S-040	E S-040	EB S-1992	2 9/16"	2 9/16"	2 11/16"	W+5 1/8"	H+5 1/4"
		E S-040	E S-040	EM S-564	2 9/16"	2 9/16"	3 1/2"	W+5 1/8"	H+6 1/16"
		E S-040	E S-040	HH S-1930	2 9/16"	2 9/16"	6"	W+5 1/8"	H+8 9/16"
		E S-040	E S-040	KK S-1230	2 9/16"	2 9/16"	3"	W+5 1/8"	H+5 9/16"
		E S-040	E S-040	M3 S-1960	2 9/16"	2 9/16"	3 9/16"	W+5 1/8"	H+6 1/8"
		E S-040	EM S-563	E S-041	2 9/16"	3 9/16"	3"	W+7 1/8"	H+5 9/16"
		E S-040	EM S-563	KK S-1230	2 9/16"	3 9/16"	3"	W+7 1/8"	H+5 9/16"
		E1 S-2257	EM S-563	B S-001	4 9/16"	3 9/16"	1 11/16"	W+7 1/8"	H+6 1/4"
		E1 S-2257	E1 S-2257	B S-001	4 9/16"	4 9/16"	1 11/16"	W+9 1/8"	H+6 1/4"
		E1 S-2257	E1 S-2257	E S-041	4 9/16"	4 9/16"	3"	W+9 1/8"	H+7 9/16"
		E1 S-2257	E1 S-2257	EM S-564	4 9/16"	4 9/16"	3 1/2"	W+9 1/8"	H+8 1/16"
		E1 S-2257	EM S-563	EM S-564	4 9/16"	3 9/16"	3 1/2"	W+7 1/8"	H+8 1/16"
		EB S-1991	B S-001	EB S-1992	1 3/4"	1 3/4"	2 11/16"	W+3 1/2"	H+4 7/16"
		EB S-1991	E S-040	EB S-1992	1 3/4"	2 9/16"	2 11/16"	W+5 1/8"	H+4 7/16"
		EB S-1991	EB S-1991	EB S-1992	1 3/4"	1 3/4"	2 11/16"	W+3 1/2"	H+4 7/16"
		EB S-1991	EB S-1991	EM S-564	1 3/4"	1 3/4"	3 1/2"	W+3 1/2"	H+5 1/4"
		EM S-563	B S-001	B S-002	3 9/16"	1 1/2"	1 11/16"	W+3"	H+5 1/4"