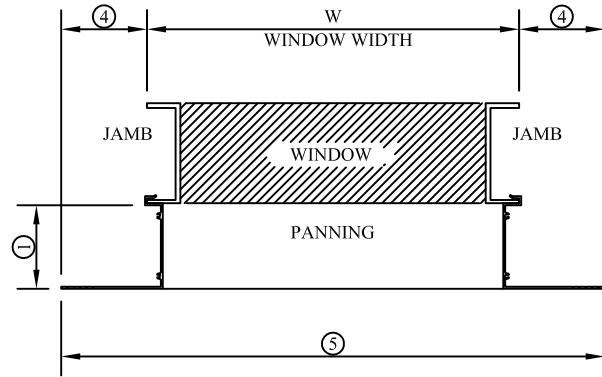
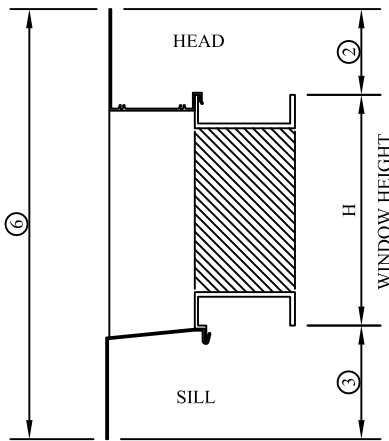


### Straight Leg Calculations



RETURN LEG (CANNOT BE EXTENDED OR TRIMMED) SEE DIE DRAWINGS FOR LEG DIMENSION  
 STRAIGHT LEG (CAN BE FIELD EXTENDED, WITH EXPANDER, OR FIELD TRIMMED)

PROJECTION ①	RETURN LEG	HEAD	JAMB	SILL	NET GAINS OVER WINDOW SIZE			PANNING TIP-TO-TIP	
		DIE NAME DIE NO.	DIE NAME DIE NO.	DIE NAME DIE NO.	HEAD ②	JAMB ④	SILL ③	WIDTH ⑤	HEIGHT ⑥
3/4"		EM S-563	EM S-563	EM S-564	3 9/16"	3 9/16"	3 1/2"	W+7 1/8"	H+7 1/16"
		EM S-563	EM S-563	KK S-1230	3 9/16"	3 9/16"	3"	W+7 1/8"	H+6 9/16"
		EM S-563	EM S-563	R S-008	3 9/16"	3 9/16"	4 3/4"	W+7 1/8"	H+8 5/16"
13/16"		PP S-1391	PP S-1391	EE S-448	2 3/16"	2 3/16"	3 3/16"	W+4 3/8"	H+5 3/8"
		PP S-1391	PP S-1391	T S-259	2 3/16"	2 3/16"	3 15/16"	W+4 3/8"	H+6 1/8"
1 1/16"		CV S-782	CV S-782	EE S-448	1 7/16"	1 7/16"	3 3/16"	W+2 7/8"	H+4 5/8"
1 1/4"		E2 S-2277	E2 S-2277	E2 S-2278	1 15/16"	1 15/16"	2 1/2"	W+3 7/8"	H+4 7/16"
1 1/2"		CC S-447	B S-001	CC S-476	2 7/16"	1 1/2"	3 1/4"	W+3"	H+5 11/16"
		CC S-447	CC S-447	C S-006	2 7/16"	2 7/16"	3 9/16"	W+4 7/8"	H+6"
		CC S-447	CC S-447	CC S-476	2 7/16"	2 7/16"	3 1/4"	W+4 7/8"	H+5 11/16"
		CC S-447	CC S-447	E2 S-2278	2 7/16"	2 7/16"	2 1/2"	W+4 7/8"	H+4 15/16"
		CC S-447	CC S-447	L S-260	2 7/16"	2 7/16"	4 3/4"	W+4 7/8"	H+7 3/16"
		CC S-447	LL S-1262	CC S-476	2 7/16"	3/4"	3 1/4"	W+1 1/2"	H+5 11/16"
		JJ S-1229	JJ S-1229	CC S-260	2 7/16"	2 7/16"	4 3/4"	W+4 7/8"	H+7 3/16"
		JJ S-1229	JJ S-1229	D S-004	2 7/16"	2 7/16"	3 3/8"	W+4 7/8"	H+5 13/16"
		JJ S-1229	JJ S-1229	E2 S-2278	2 7/16"	2 7/16"	2 1/2"	W+4 7/8"	H+4 15/16"
		JJ S-1229	JJ S-1229	KK S-1230	2 7/16"	2 7/16"	3"	W+4 7/8"	H+5 7/16"