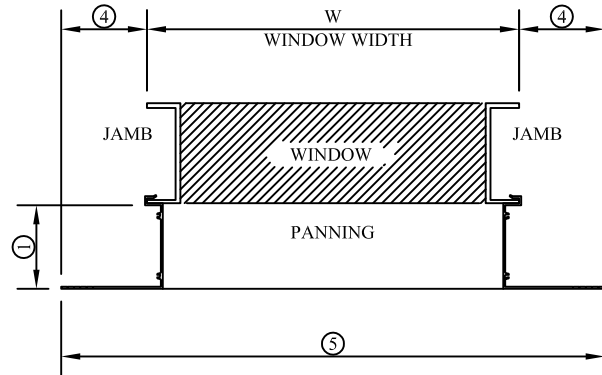
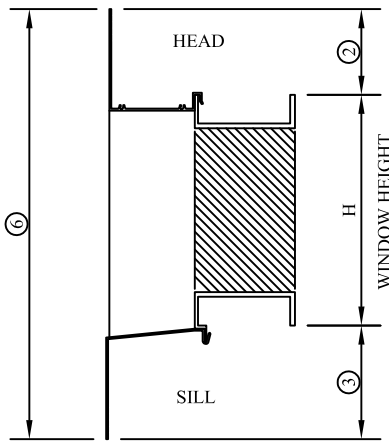


### Straight Leg Calculations



RETURN LEG (CANNOT BE EXTENDED OR TRIMMED) SEE DIE DRAWINGS FOR LEG DIMENSION  
 STRAIGHT LEG (CAN BE FIELD EXTENDED, WITH EXPANDER, OR FIELD TRIMMED)

PROJECTION ①	RETURN LEG	HEAD	JAMB	SILL	NET GAINS OVER WINDOW SIZE			PANNING TIP-TO-TIP	
		DIE NAME DIE NO.	DIE NAME DIE NO.	DIE NAME DIE NO.	HEAD ②	JAMB ④	SILL ③	WIDTH ⑤	HEIGHT ⑥
1 1/2"		JJ S-1229	JJ S-1229	L S-260	2 7/16"	2 7/16"	4 3/4"	W+4 7/8"	H+7 3/16"
1 5/8"		AA S-421	AA S-421	C S-006	1 15/16"	1 15/16"	3 9/16"	W+3 7/8"	H+5 1/2"
		AA S-421	AA S-421	D S-004	1 15/16"	1 15/16"	3 3/8"	W+3 7/8"	H+5 5/16"
		AA S-421	AA S-421	DM S-1446	1 15/16"	1 15/16"	4 3/8"	W+3 7/8"	H+6 5/16"
		AA S-421	AA S-421	L S-260	1 15/16"	1 15/16"	4 3/4"	W+3 7/8"	H+6 11/16"
2"		DD S-435	DD S-435	C S-006	1 1/4"	1 1/4"	3 9/16"	W+2 1/2"	H+4 13/16"
		DD S-435	DD S-435	D S-004	1 1/4"	1 1/4"	3 3/8"	W+2 1/2"	H+4 5/8"
		DD S-435	DD S-435	L S-260	1 1/4"	1 1/4"	4 3/4"	W+2 1/2"	H+6"
		L S-084	L S-084	C S-006	2 15/16"	2 15/16"	3 9/16"	W+5 7/8"	H+6 1/2"
		L S-084	L S-084	D S-004	2 15/16"	2 15/16"	3 3/8"	W+5 7/8"	H+6 5/16"
		L S-084	L S-084	GG S-987	2 15/16"	2 15/16"	4"	W+5 7/8"	H+6 15/16"
		L S-084	L S-084	L S-260	2 15/16"	2 15/16"	4 3/4"	W+5 7/8"	H+7 11/16"
		L S-084	L S-084	M3 S-1960	2 15/16"	2 15/16"	3 9/16"	W+5 7/8"	H+6 1/2"
		L S-084	L S-084	Z S-247	2 15/16"	2 15/16"	4 1/2"	W+5 7/8"	H+7 7/16"
		□ S-249	□ S-249	D S-004	2 1/4"	2 1/4"	3 3/8"	W+4 1/2"	H+5 5/8"
2 1/8"		N S-1635	N S-1635	AR S-1910	1 15/16"	1 15/16"	2 11/16"	W+3 7/8"	H+4 5/8"
		N S-1635	N S-1635	CR S-012	1 15/16"	1 15/16"	2 9/16"	W+3 7/8"	H+4 1/2"