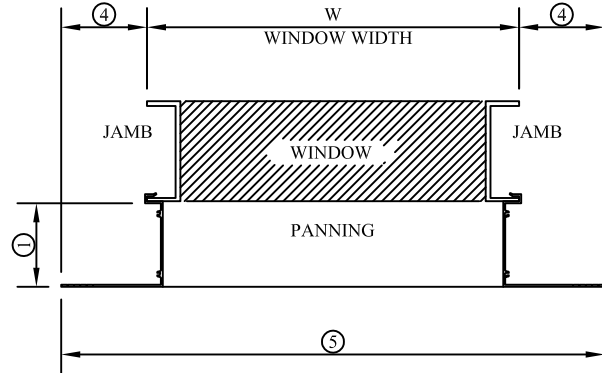
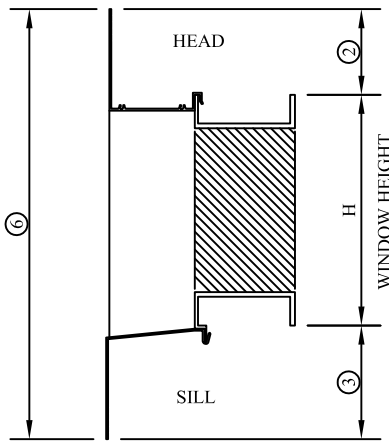


### Straight Leg Calculations



RETURN LEG (CANNOT BE EXTENDED OR TRIMMED) SEE DIE DRAWINGS FOR LEG DIMENSION  
 STRAIGHT LEG (CAN BE FIELD EXTENDED, WITH EXPANDER, OR FIELD TRIMMED)

PROJECTION ①	RETURN LEG	HEAD	JAMB	SILL	NET GAINS OVER WINDOW SIZE			PANNING TIP-TO-TIP	
		DIE NAME DIE NO.	DIE NAME DIE NO.	DIE NAME DIE NO.	HEAD ②	JAMB ④	SILL ③	WIDTH ⑤	HEIGHT ⑥
2 1/8"		N S-1635	N S-1635	D S-004	1 15/16"	1 15/16"	3 3/8"	W+3 7/8"	H+5 5/16"
		N S-1635	N S-1635	R S-008	1 15/16"	1 15/16"	4 3/4"	W+3 7/8"	H+6 11/16"
		N S-1635	N S-1635	T S-259	1 15/16"	1 15/16"	3 15/16"	W+3 7/8"	H+5 7/8"
		N S-1635	N S-1635	Z S-247	1 15/16"	1 15/16"	4 1/2"	W+3 7/8"	H+6 7/16"
2 1/4"		TT S-1551	TT S-1551	C S-006	1 1/2"	1 1/2"	3 9/16"	W+3"	H+5 1/16"
		TT S-1551	TT S-1551	D S-004	1 1/2"	1 1/2"	3 3/8"	W+3"	H+4 7/8"
		TT S-1551	TT S-1551	Z S-247	1 1/2"	1 1/2"	4 1/2"	W+3"	H+6"
2 3/8"		D S-003	D S-003	C S-006	2 7/16"	2 7/16"	3 9/16"	W+4 7/8"	H+6"
		D S-003	D S-003	D S-004	2 7/16"	2 7/16"	3 3/8"	W+4 7/8"	H+5 13/16"
		D S-003	D S-003	DM S-1446	2 7/16"	2 7/16"	4 3/8"	W+4 7/8"	H+6 13/16"
		D S-003	D S-003	M3 S-1960	2 7/16"	2 7/16"	3 9/16"	W+4 7/8"	H+6"
		D S-003	D S-003	PP S-1657	2 7/16"	2 7/16"	3 3/8"	W+4 7/8"	H+5 13/16"
		D S-003	D S-003	T S-259	2 7/16"	2 7/16"	3 15/16"	W+4 7/8"	H+6 3/8"
		D S-003	D S-003	W S-264	2 7/16"	2 7/16"	4 1/8"	W+4 7/8"	H+6 9/16"
		D S-003	D S-003	Z S-247	2 7/16"	2 7/16"	4 1/2"	W+4 7/8"	H+6 15/16"
		D S-003	DM S-042	D S-004	2 7/16"	3 7/16"	3 3/8"	W+6 7/8"	H+5 13/16"
		D S-003	EM S-563	D S-004	2 7/16"	3 7/16"	3 3/8"	W+6 7/8"	H+5 13/16"