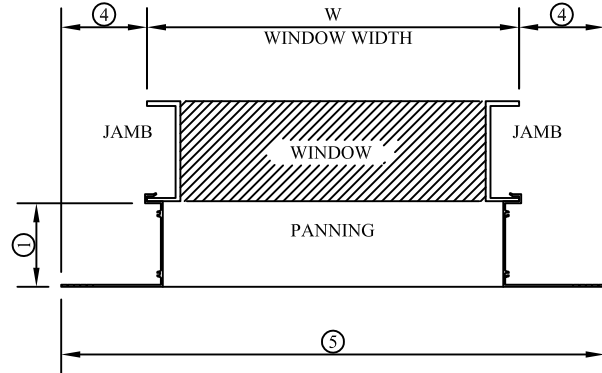
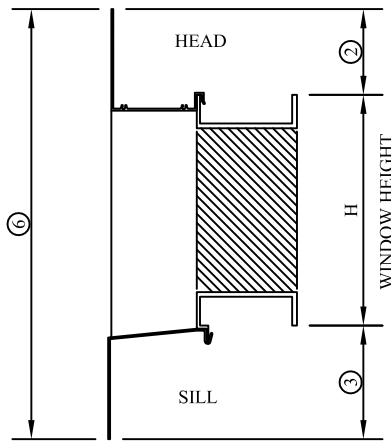


### Straight Leg Calculations



RETURN LEG (CANNOT BE EXTENDED OR TRIMMED) SEE DIE DRAWINGS FOR LEG DIMENSION  
 STRAIGHT LEG (CAN BE FIELD EXTENDED, WITH EXPANDER, OR FIELD TRIMMED)

PROJECTION ①	RETURN LEG	HEAD	JAMB	SILL	NET GAINS OVER WINDOW SIZE			PANNING TIP-TO-TIP	
		DIE NAME DIE NO.	DIE NAME DIE NO.	DIE NAME DIE NO.	HEAD ②	JAMB ④	SILL ③	WIDTH ⑤	HEIGHT ⑥
2 3/8"		DM S-042	D S-003	D S-004	3 7/16"	2 7/16"	3 3/8"	W+4 7/8"	H+6 13/16"
		DM S-042	D S-003	DM S-1446	3 7/16"	2 7/16"	4 3/8"	W+4 7/8"	H+7 13/16"
		DM S-042	D S-003	PP S-1657	3 7/16"	2 7/16"	3 3/8"	W+4 7/8"	H+6 13/16"
		DM S-042	DM S-042	A S-951	3 7/16"	3 7/16"	4 13/16"	W+6 7/8"	H+8 1/4"
		DM S-042	DM S-042	D S-004	3 7/16"	3 7/16"	3 3/8"	W+6 7/8"	H+6 13/16"
		DM S-042	DM S-042	DM S-1446	3 7/16"	3 7/16"	4 3/8"	W+6 7/8"	H+7 13/16"
		DM S-042	DM S-042	FF S-450	3 7/16"	3 7/16"	3 3/4"	W+6 7/8"	H+7 3/16"
		DM S-042	DM S-042	M3 S-1960	3 7/16"	3 7/16"	3 9/16"	W+6 7/8"	H+7"
		DM S-042	DM S-042	Z S-247	3 7/16"	3 7/16"	4 1/2"	W+6 7/8"	H+7 15/16"
		V S-263	V S-263	C S-006	2 3/16"	2 3/16"	3 9/16"	W+4 3/8"	H+5 3/4"
		V S-263	V S-263	D S-004	2 3/16"	2 3/16"	3 3/8"	W+4 3/8"	H+5 9/16"
		V S-263	V S-263	DM S-1446	2 3/16"	2 3/16"	4 3/8"	W+4 3/8"	H+6 9/16"
		V S-263	V S-263	HH S-1930	2 3/16"	2 3/16"	6"	W+4 3/8"	H+8 3/16"
		V S-263	V S-263	T S-259	2 3/16"	2 3/16"	3 15/16"	W+4 3/8"	H+6 1/8"
	V S-263	V S-263	W S-264	2 3/16"	2 3/16"	4 1/8"	W+4 3/8"	H+6 5/16"	
2 7/16"		DC S-2085	DC S-2085	D S-004	2 15/16"	2 15/16"	3 3/8"	W+5 7/8"	H+6 5/16"
		DC S-2085	DC S-2085	DM S-004	2 15/16"	2 15/16"	4 3/8"	W+5 7/8"	H+7 5/16"