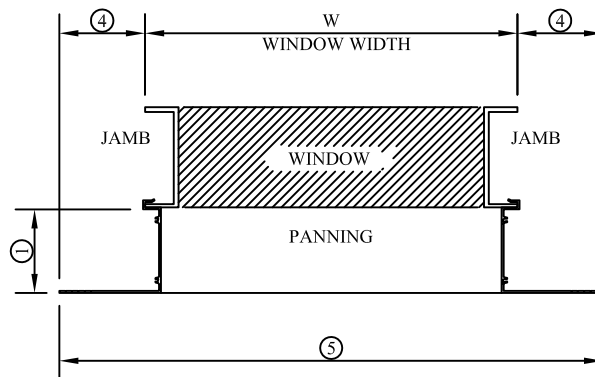
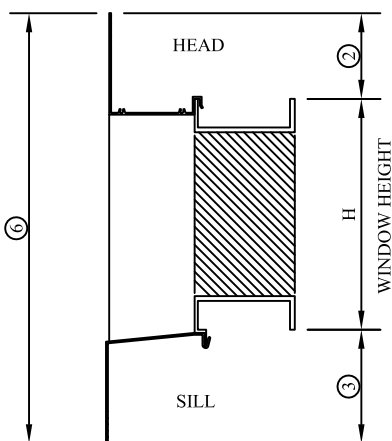


Straight Leg Calculations



RETURN LEG (CANNOT BE EXTENDED OR TRIMMED) SEE DIE DRAWINGS FOR LEG DIMENSION
 STRAIGHT LEG (CAN BE FIELD EXTENDED, WITH EXPANDER, OR FIELD TRIMMED)

PROJECTION ①	RETURN LEG	HEAD	JAMB	SILL	NET GAINS OVER WINDOW SIZE			PANNING TIP-TO-TIP	
		DIE NAME DIE NO.	DIE NAME DIE NO.	DIE NAME DIE NO.	HEAD ②	JAMB ④	SILL ③	WIDTH ⑤	HEIGHT ⑥
2 1/2"		A5 S-2953	A5 S-2953	D S-004	3 3/8"	3 3/8"	3 3/8"	W+6 3/4"	H+6 3/4"
		P S-2038	P S-2038	DM S-1446	2 15/16"	2 15/16"	4 3/8"	W+5 7/8"	H+7 5/16"
		P S-2038	P S-2038	P S-2039	2 15/16"	2 15/16"	4 1/2"	W+5 7/8"	H+7 7/16"
		P S-2038	P S-2038	PP S-1657	2 15/16"	2 15/16"	3 3/8"	W+5 7/8"	H+6 5/16"
		WW S-1630	WW S-1630	DM S-1446	2 15/16"	2 15/16"	4 3/8"	W+5 7/8"	H+7 5/16"
		WW S-1630	WW S-1630	T S-259	2 15/16"	2 15/16"	3 15/16"	W+5 7/8"	H+6 7/8"
3"		HH S-986	HH S-986	A S-951	3 7/16"	3 7/16"	4 1/16"	W+6 7/8"	H+7 1/2"
		HH S-986	HH S-986	C S-006	3 7/16"	3 7/16"	3 9/16"	W+6 7/8"	H+7"
		HH S-986	HH S-986	GG S-987	3 7/16"	3 7/16"	4"	W+6 7/8"	H+7 7/16"
		HH S-986	HH S-986	HH S-1930	3 7/16"	3 7/16"	6"	W+6 7/8"	H+9 7/16"
		HH S-986	HH S-986	R S-008	3 7/16"	3 7/16"	4 3/4"	W+6 7/8"	H+8 3/16"
		HH S-986	HH S-986	T S-259	3 7/16"	3 7/16"	3 15/16"	W+6 7/8"	H+7 3/8"
		HH S-986	HH S-986	W S-264	3 7/16"	3 7/16"	4 1/8"	W+6 7/8"	H+7 9/16"
		HH S-986	HH S-986	Z S-247	3 7/16"	3 7/16"	4 1/2"	W+6 7/8"	H+7 15/16"
		HH S-986	L S-084	T S-259	3 7/16"	2 15/16"	3 15/16"	W+5 7/8"	H+7 3/8"
		Y S-580	Y S-580	A S-951	3 15/16"	3 15/16"	4 13/16"	W+7 7/8"	H+8 3/4"
		Y S-580	Y S-580	C S-006	3 15/16"	3 15/16"	3 9/16"	W+7 7/8"	H+7 1/2"