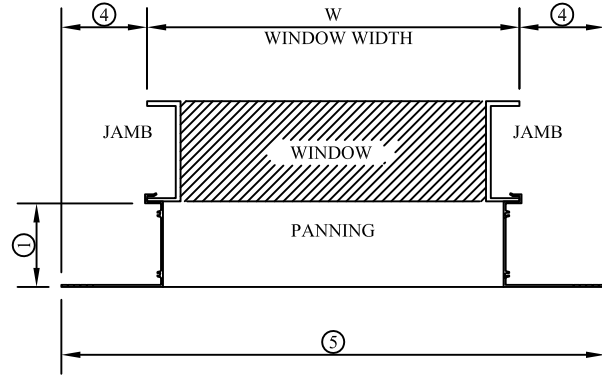
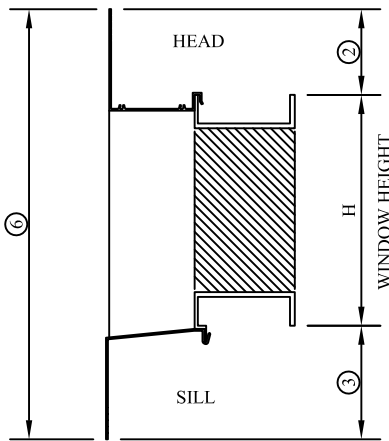


Straight Leg Calculations



RETURN LEG (CANNOT BE EXTENDED OR TRIMMED) SEE DIE DRAWINGS FOR LEG DIMENSION
 STRAIGHT LEG (CAN BE FIELD EXTENDED, WITH EXPANDER, OR FIELD TRIMMED)

PROJECTION ①	RETURN LEG	HEAD	JAMB	SILL	NET GAINS OVER WINDOW SIZE			PANNING TIP-TO-TIP	
		DIE NAME DIE NO.	DIE NAME DIE NO.	DIE NAME DIE NO.	HEAD ②	JAMB ④	SILL ③	WIDTH ⑤	HEIGHT ⑥
3"		Y S-580	Y S-580	E2 S-2278	3 15/16"	3 15/16"	2 1/2"	W+7 7/8"	H+6 7/16"
		Y S-580	Y S-580	HH S-1930	3 15/16"	3 15/16"	6"	W+7 7/8"	H+9 15/16"
		Y S-580	Y S-580	R S-008	3 15/16"	3 15/16"	4 3/4"	W+7 7/8"	H+8 11/16"
		Y S-580	Y S-580	T S-259	3 15/16"	3 15/16"	3 15/16"	W+7 7/8"	H+7 7/8"
		Y S-580	Y S-580	Z S-247	3 15/16"	3 15/16"	4 1/2"	W+7 7/8"	H+8 7/16"
		P1 S-2238	P1 S-2238	Z S-247	1 13/16"	1 13/16"	4 1/2"	W+3 5/8"	H+6 5/16"
3 1/16"		T S-258	T S-258	A S-951	3 7/16"	3 7/16"	4 13/16"	W+6 7/8"	H+8 1/4"
		T S-258	T S-258	C S-006	3 7/16"	3 7/16"	3 9/16"	W+6 7/8"	H+7"
		T S-258	T S-258	FF S-450	3 7/16"	3 7/16"	3 3/4"	W+6 7/8"	H+7 3/16"
		T S-258	T S-258	HH S-1930	3 7/16"	3 7/16"	6"	W+6 7/8"	H+9 7/16"
		T S-258	T S-258	T S-259	3 7/16"	3 7/16"	3 15/16"	W+6 7/8"	H+7 3/8"
		T S-258	T S-258	Z S-247	3 7/16"	3 7/16"	4 1/2"	W+6 7/8"	H+7 15/16"
		TM S-975	T S-258	T S-259	5 3/16"	3 7/16"	3 15/16"	W+6 7/8"	H+9 1/8"
		TM S-975	TM S-975	A S-951	5 3/16"	5 3/16"	4 15/16"	W+10 3/8"	H+10 1/8"
		TM S-975	TM S-975	HH S-1930	5 3/16"	5 3/16"	6"	W+10 3/8"	H+11 3/16"
		TM S-975	TM S-975	R S-008	5 3/16"	5 3/16"	4 3/4"	W+10 3/8"	H+9 15/16"
		TM S-975	TM S-975	T S-259	5 3/16"	5 3/16"	3 15/16"	W+10 3/8"	H+9 1/8"