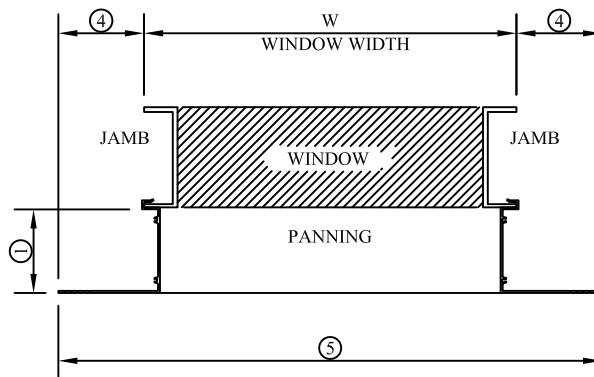
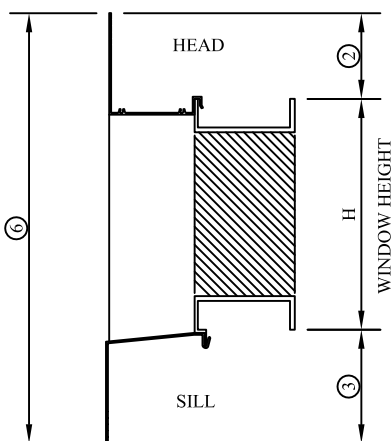


Straight Leg Calculations



RETURN LEG (CANNOT BE EXTENDED OR TRIMMED) SEE DIE DRAWINGS FOR LEG DIMENSION
 STRAIGHT LEG (CAN BE FIELD EXTENDED, WITH EXPANDER, OR FIELD TRIMMED)

PROJECTION ①	RETURN LEG	HEAD	JAMB	SILL	NET GAINS OVER WINDOW SIZE			PANNING TIP-TO-TIP	
		DIE NAME DIE NO.	DIE NAME DIE NO.	DIE NAME DIE NO.	HEAD ②	JAMB ④	SILL ③	WIDTH ⑤	HEIGHT ⑥
3 1/8"		A3 S-2884	A3 S-2884	T S-259	3 3/8"	3 3/8"	3 15/16"	W+6 3/4"	H+7 5/16"
		W S-265	W S-265	NC S-1841	4 3/16"	4 3/16"	4 1/16"	W+8 3/8"	H+8 1/4"
		W S-265	W S-265	T S-259	4 3/16"	4 3/16"	3 15/16"	W+8 3/8"	H+8 1/8"
		W S-265	W S-265	W S-264	4 3/16"	4 3/16"	4 1/8"	W+8 3/8"	H+8 5/16"
		W S-265	W S-265	Z S-247	4 3/16"	4 3/16"	4 1/2"	W+8 3/8"	H+8 11/16"
3 3/8"		SS S-1454	SS S-1454	FF S-450	3 7/16"	3 7/16"	3 3/4"	W+6 7/8"	H+7 3/16"
		SS S-1454	SS S-1454	Z S-247	3 7/16"	3 7/16"	4 1/2"	W+6 7/8"	H+7 15/16"
3 1/2"		Z S-246	Z S-246	Z S-247	3 15/16"	3 15/16"	4 1/2"	W+7 7/8"	H+8 7/16"
3 5/8"		F S-453	F S-453	C S-006	1 5/8"	1 5/8"	3 9/16"	W+3 1/4"	H+5 3/16"
		F S-453	F S-453	Z S-247	1 5/8"	1 5/8"	4 1/2"	W+3 1/4"	H+6 1/8"
4"		C S-005	C S-005	A S-951	2 7/16"	2 7/16"	4 13/16"	W+4 7/8"	H+7 1/4"
		C S-005	C S-005	C S-006	2 7/16"	2 7/16"	3 9/16"	W+4 7/8"	H+6"
		C S-005	C S-005	R S-008	2 7/16"	2 7/16"	4 3/4"	W+4 7/8"	H+7 3/16"
		C S-005	CM S-023	A S-951	2 7/16"	3 7/16"	4 13/16"	W+6 7/8"	H+7 1/4"
		C S-005	CM S-023	C S-006	2 7/16"	3 7/16"	3 9/16"	W+6 7/8"	H+6"
		CM S-023	C S-005	A S-951	3 7/16"	2 7/16"	4 13/16"	W+4 7/8"	H+8 1/4"
		CM S-023	C S-005	C S-006	3 7/16"	2 7/16"	3 9/16"	W+4 7/8"	H+7"