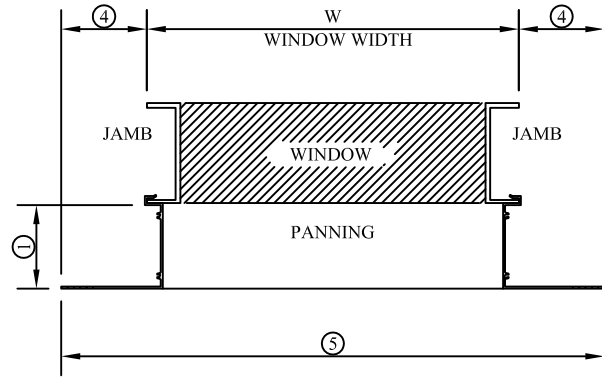
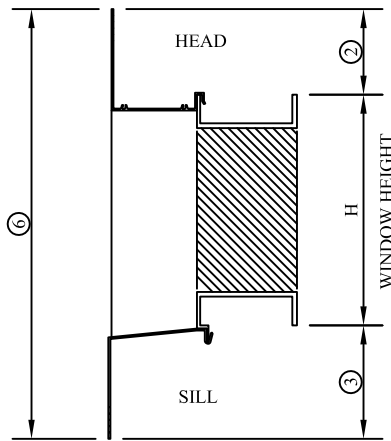


### Straight Leg Calculations



RETURN LEG (CANNOT BE EXTENDED OR TRIMMED) SEE DIE DRAWINGS FOR LEG DIMENSION  
 STRAIGHT LEG (CAN BE FIELD EXTENDED, WITH EXPANDER, OR FIELD TRIMMED)

PROJECTION ①	RETURN LEG	HEAD	JAMB	SILL	NET GAINS OVER WINDOW SIZE			PANNING TIP-TO-TIP	
		DIE NAME DIE NO.	DIE NAME DIE NO.	DIE NAME DIE NO.	HEAD ②	JAMB ④	SILL ③	WIDTH ⑤	HEIGHT ⑥
4"		CM S-023	CM S-023	A S-951	3 7/16"	3 7/16"	4 13/16"	W+6 7/8"	H+8 1/4"
		CM S-023	CM S-023	C S-006	3 7/16"	3 7/16"	3 9/16"	W+6 7/8"	H+7"
		CM S-023	CM S-023	E S-041	3 7/16"	3 7/16"	3"	W+6 7/8"	H+6 7/16"
		M S-478	M S-478	A S-951	3 11/16"	3 11/16"	4 13/16"	W+7 3/8"	H+8 1/2"
		M S-478	M S-478	C S-006	3 11/16"	3 11/16"	3 9/16"	W+7 3/8"	H+7 1/4"
		M S-478	M S-478	CC S-476	3 11/16"	3 11/16"	3 1/4"	W+7 3/8"	H+6 15/16"
		M S-478	M S-478	FF S-450	3 11/16"	3 11/16"	3 3/4"	W+7 3/8"	H+7 7/16"
		MB S-2469	MB S-2469	A S-951	3 11/16"	3 11/16"	4 13/16"	W+7 3/8"	H+8 1/2"
		MB S-2469	MB S-2469	M2 S-925	3 11/16"	3 11/16"	5 15/16"	W+7 3/8"	H+9 5/8"
		U S-051	U S-051	A S-951	3 3/4"	3 3/4"	4 13/16"	W+7 1/2"	H+8 9/16"
	U S-051	U S-051	C S-006	3 3/4"	3 3/4"	3 9/16"	W+7 1/2"	H+7 5/16"	
4 7/8"		NN S-1381	NN S-1381	FF S-450	2 3/8"	2 3/8"	3 3/4"	W+4 3/4"	H+6 1/8"
4 7/8"		NN S-1381	NN S-1381	R S-008	2 3/8"	2 3/8"	4 3/4"	W+4 3/4"	H+7 1/8"
		NN S-1381	NN S-1381	T S-259	2 3/8"	2 3/8"	3 15/16"	W+4 3/4"	H+6 5/16"
5 1/2"		BB S-449	BB S-449	R S-008	3 7/16"	3 7/16"	4 3/4"	W+6 7/8"	H+8 3/16"
		R S-007	R S-007	R S-008	3 7/16"	3 7/16"	4 3/4"	W+6 7/8"	H+8 3/16"