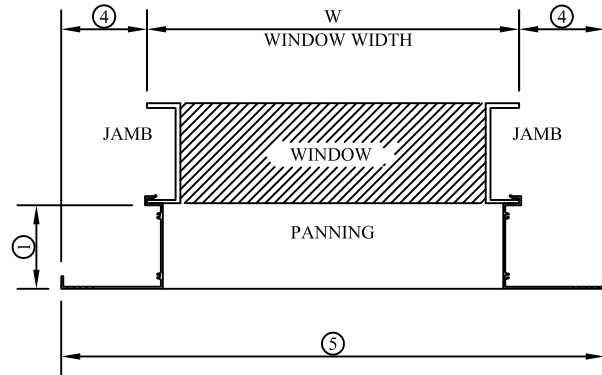
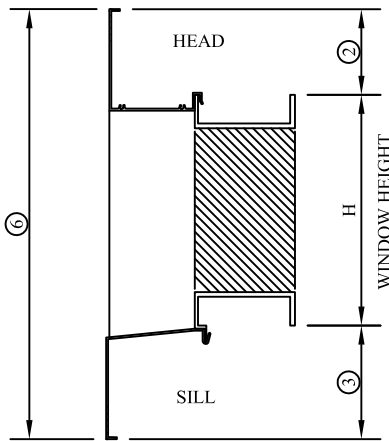


Return Leg Calculations



RETURN LEG (CANNOT BE EXTENDED OR TRIMMED) SEE DIE DRAWINGS FOR LEG DIMENSION
STRAIGHT LEG (CAN BE FIELD EXTENDED, WITH EXPANDER, OR FIELD TRIMMED)

PROJECTION ①	RETURN LEG	HEAD	JAMB	SILL	NET GAINS OVER WINDOW SIZE			PANNING TIP-TO-TIP	
		DIE NAME DIE NO.	DIE NAME DIE NO.	DIE NAME DIE NO.	HEAD ②	JAMB ④	SILL ③	WIDTH ⑤	HEIGHT ⑥
3/4"	RETURN LEG SILL	B S-001	B S-001	IR S-1356	1 1/2"	1 1/2"	3/4"	W+3"	H+2 1/4"
1 1/16"	RETURN LEG HD & JB	VR S-1608	VR S-1608	CC S-476	1 7/16"	1 7/16"	3 3/16"	W+2 7/8"	H+4 5/8"
	RETURN LEG HD & JB	VR S-1608	VR S-1608	EE S-448	1 7/16"	1 7/16"	3 3/16"	W+2 7/8"	H+4 5/8"
	RETURN LEG HD & JB	VR S-1608	VR S-1608	T S-259	1 7/16"	1 7/16"	3 15/16"	W+2 7/8"	H+5 3/8"
1 3/4"	RETURN LEG ALL	EC S-2048	EC S-2048	EC S-2049	1 15/16"	1 15/16"	2 3/4"	W+3 7/8"	H+4 11/16"
	RETURN LEG HD & JB	IR S-1355	IR S-1355	D S-004	3/16"	3/16"	3 3/8"	W+3/8"	H+3 9/16"
	RETURN LEG ALL	IR S-1355	IR S-1355	IR S-1356	3/16"	3/16"	3/4"	W+3/8"	H+15/16"
	RETURN LEG HD & JB	IR S-1355	IR S-1355	L S-260	3/16"	3/16"	4 3/4"	W+3/8"	H+4 15/16"
1 7/8"	RETURN LEG HD & JB	JR S-076	JR S-076	C S-006	2 1/2"	2 1/2"	3 9/16"	W+5"	H+6 1/16"
	RETURN LEG HD & JB	JR S-076	JR S-076	D S-004	2 1/2"	2 1/2"	3 3/8"	W+5"	H+5 7/8"
	RETURN LEG HD & JB	JR S-076	JR S-076	DM S-1446	2 1/2"	2 1/2"	4 3/8"	W+5"	H+6 7/8"
	RETURN LEG HD & JB	JR S-076	JR S-076	L S-260	2 1/2"	2 1/2"	4 3/4"	W+5"	H+7 1/4"
	RETURN LEG ALL	JR S-076	JR S-076	NR S-092	2 1/2"	2 1/2"	2 1/2"	W+5"	H+5"