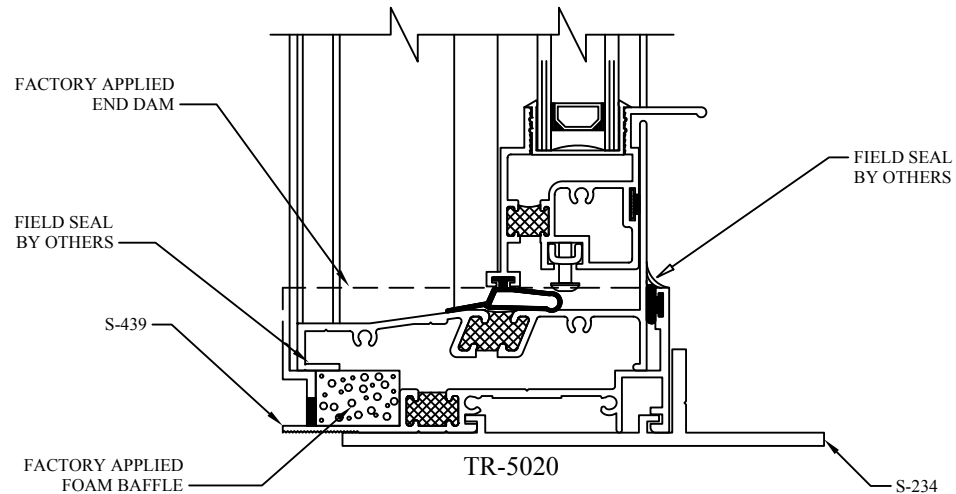


Installation



1. SUBSILLS ARE REQUIRED FOR WATER CONTROL IN OPENINGS WITH SIDE-BY-SIDE PRODUCTS, WHEN PANNING IS NOT USED.
2. PRODUCT SHOWN (TR-5020) IS FOR EXAMPLE ONLY -OTHER PRODUCTS CAN BE SUBSTITUTED.
3. DOTTED LINE INDICATES PROFILE OF FACTORY APPLIED AND SEALED END DAM.
4. ALL SUBSILLS ARE SUPPLIED WITH WEEP SLOTS (WITH FOAM BAFFLES AND NO WEEP HOLE COVERS) AND INTERIOR GASKET.
5. SPLICE JOINTS (OPENINGS OVER 21'-0" WIDE), SUPPORT, ANCHORAGE, AND CONNECTIONS TO EXTERIOR SILLS AND INTERIOR STOOLS SHOULD BE DETAILED IN CONSULTATION WITH TRACO ENGINEERING DEPARTMENT.