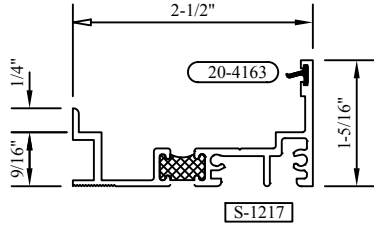


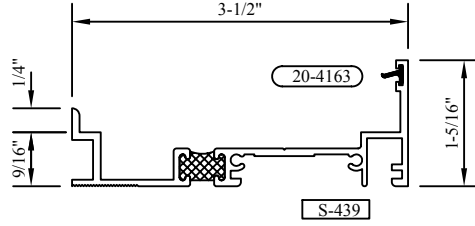
Half Scale Sections

FOR 2-1/4" SYSTEM



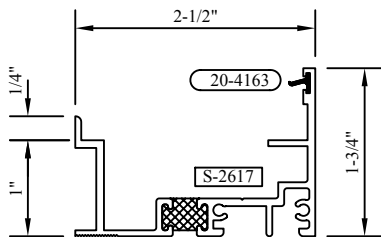
6.24 PSF SUBSILL
S-1217

FOR 3-1/4" SYSTEM



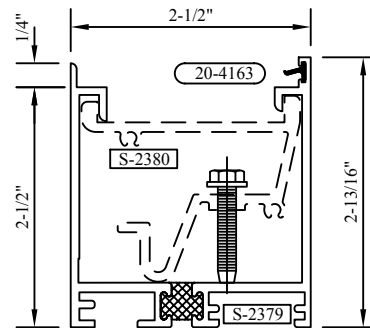
6.24 PSF SUBSILL
S-439

FOR 2-1/4" SYSTEM



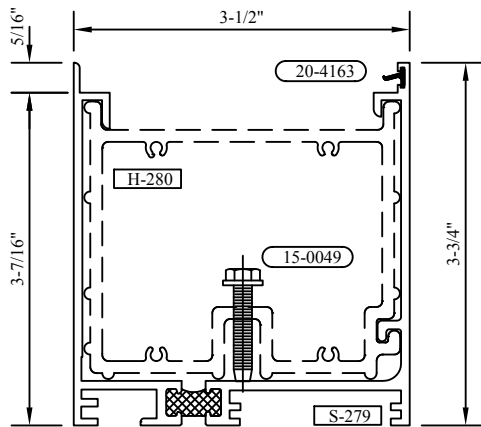
8 PSF SUBSILL
S-2617

FOR 2-1/4" SYSTEM



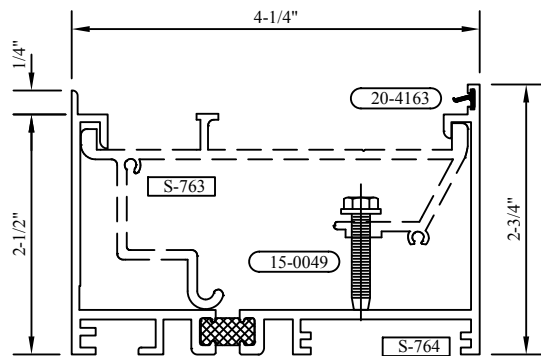
10 PSF SUBSILL
S-2379

FOR 3-1/4" SYSTEM



15 PSF SUBSILL
S-279

FOR 4" SYSTEM



10 PSF SUBSILL
S-764