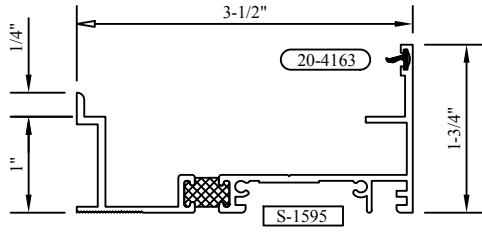


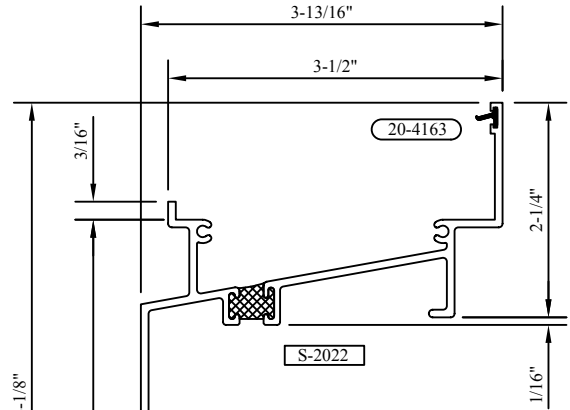
Half Scale Sections

FOR 3-1/4" SYSTEM



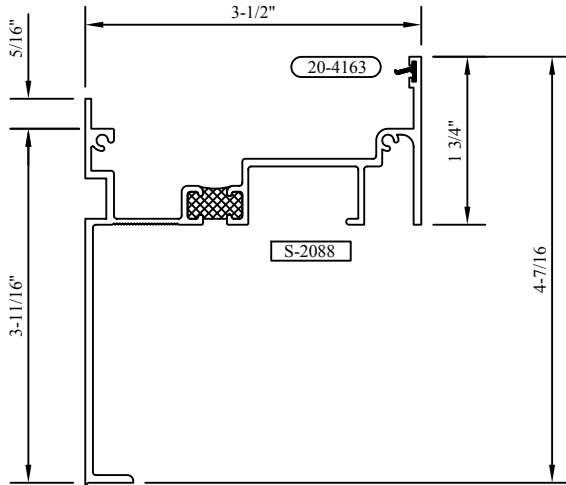
8 PSF TRIM SUBSILL
S-1595

FOR 3-1/4" SYSTEM



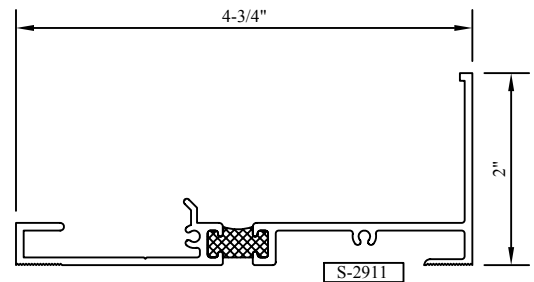
6.24 PSF SUBSILL WITH FLANGE
S-2022

FOR 3-1/4" SYSTEM



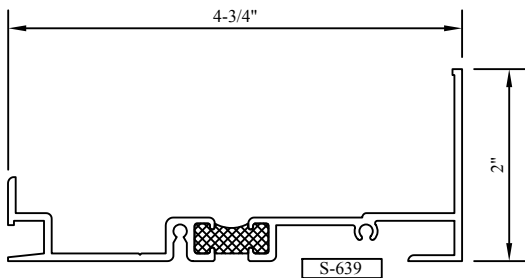
8 PSF SUBSILL WITH FLANGE
S-2088

FOR TR-8300



10 PSF SUBSILL
S-2911

FOR 4-1/2" SYSTEM



8 PSF SUBSILL
S-639