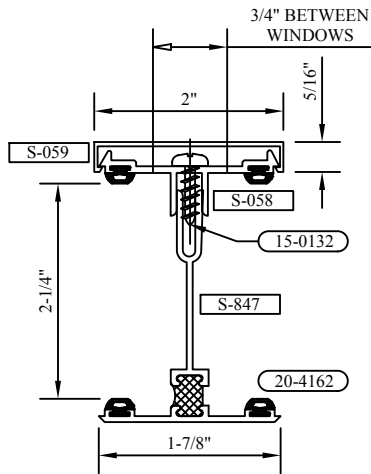


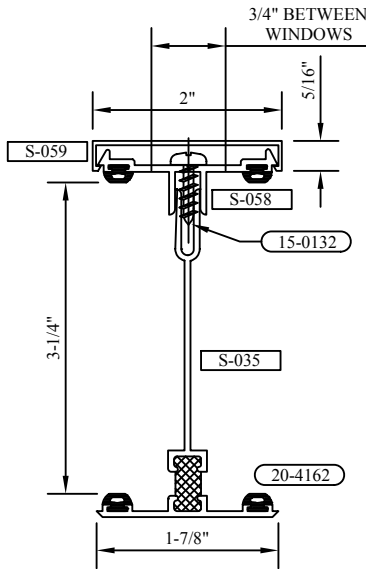
Half Scale Sections

FOR 2-1/4" SYSTEM



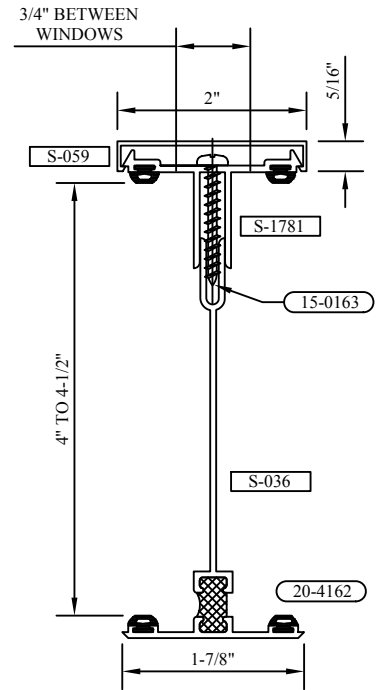
THREE PIECE MULLION BASE
S-847

FOR 3-1/4" SYSTEM



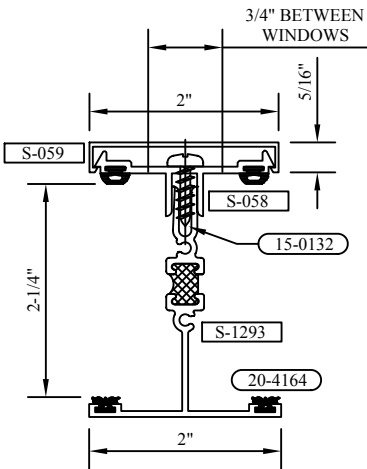
THREE PIECE MULLION BASE
S-035

FOR 4 TO 4-1/2" SYSTEM



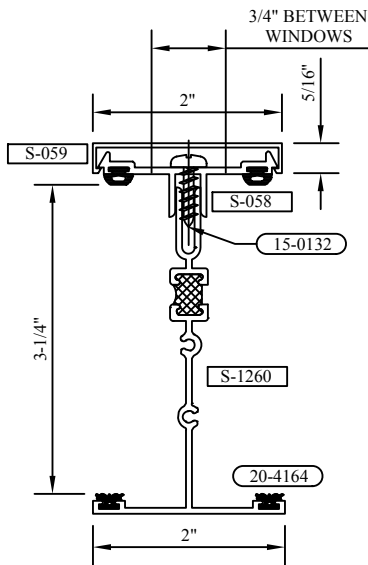
THREE PIECE MULLION BASE
S-036

FOR 2-1/4" SYSTEM



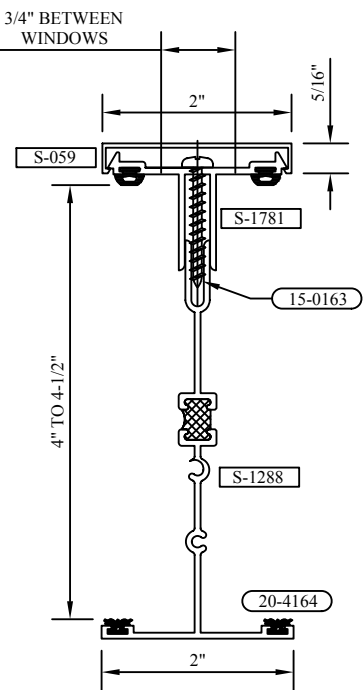
THREE PIECE MULLION BASE
S-1293

FOR 3-1/4" SYSTEM



THREE PIECE MULLION BASE
S-1260

FOR 4 TO 4-1/2" SYSTEM



THREE PIECE MULLION BASE
S-1288