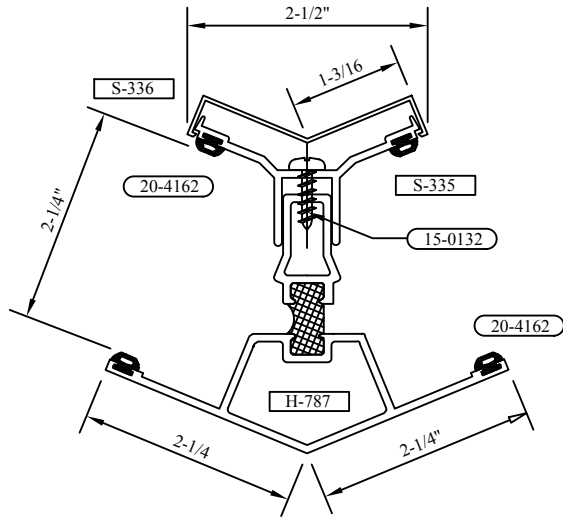


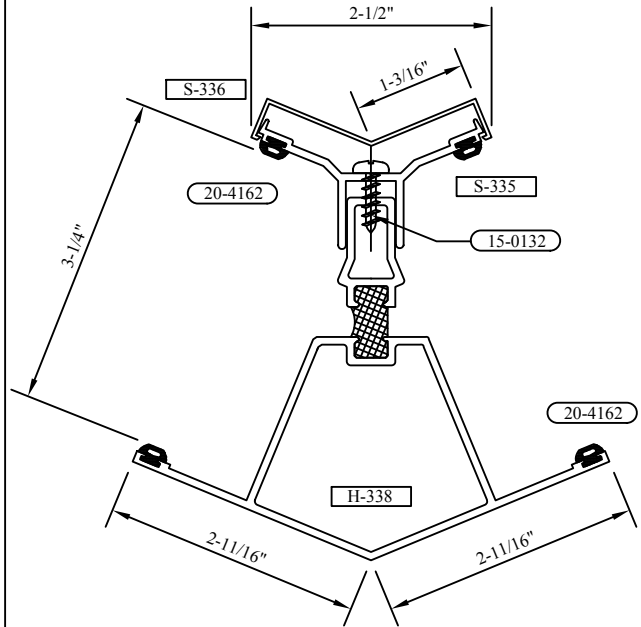
Half Scale Sections

FOR 2-1/4" SYSTEM



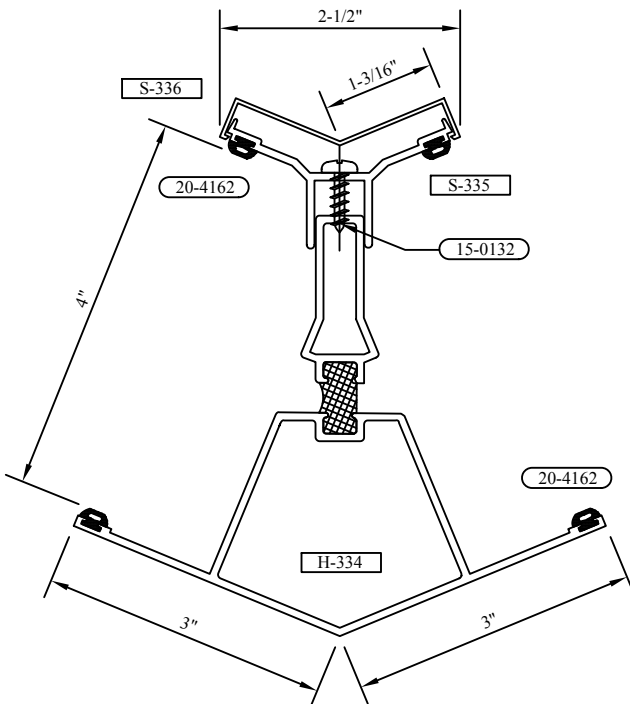
135° 3-PIECE CORNER MULLION
H-787

FOR 3-1/4" SYSTEM



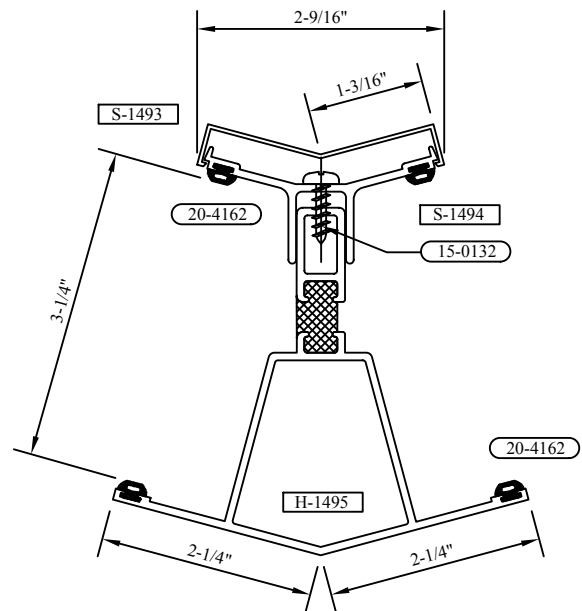
135° 3-PIECE CORNER MULLION
H-338

FOR 4" SYSTEM



135° 3-PIECE CORNER MULLION
H-334

FOR 3-1/4" SYSTEM



150° 3-PIECE CORNER MULLION
H-1495