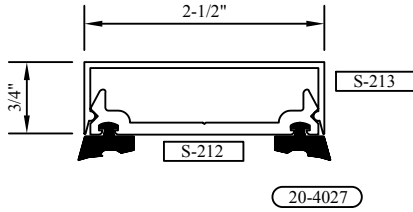
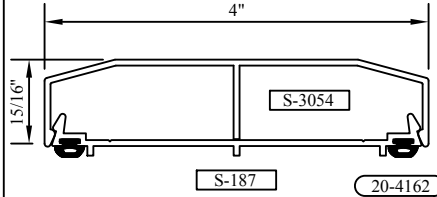


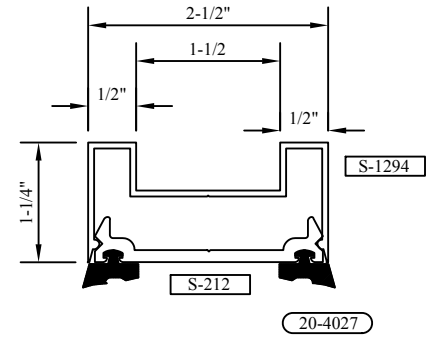
Half Scale Sections



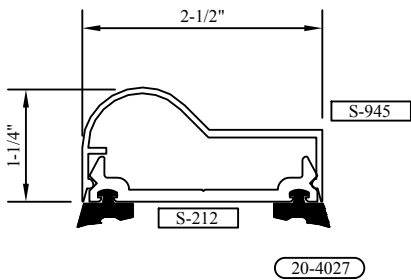
COVER W/ P. PLATE
S-213 / S-212



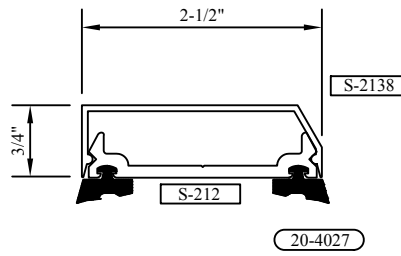
CHAMFER MULLION COVER W/ P. PLATE
S-3054 / S-187



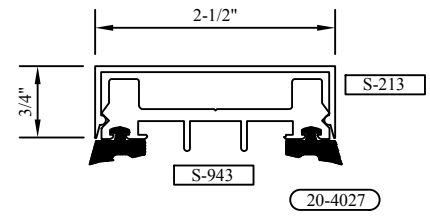
DOUBLE BATTEN COVER W/ P. PLATE
S-1294 / S-212



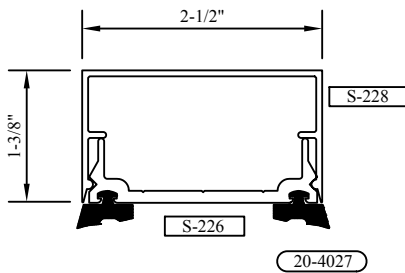
2-1/2" BULLNOSE MULL COVER W/ PLATE
S-945 / S-212



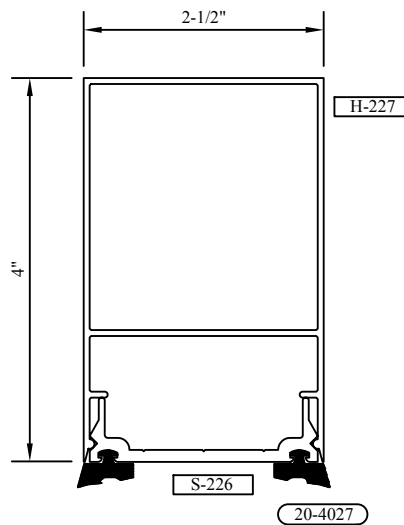
SLOPED MULLION COVER W/ P. PLATE
S-2138 / S-212



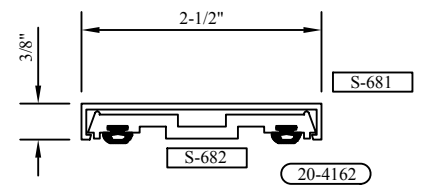
COVER W/ HIGH PERFORMANCE P. PLATE
S-213 / S-943



1-3/8" COVER W/ PLATE
S-228 / S-226



4" COVER W/ P. PLATE
H-227 / S-226



COVER W/ P. PLATE
S-681 / S-682