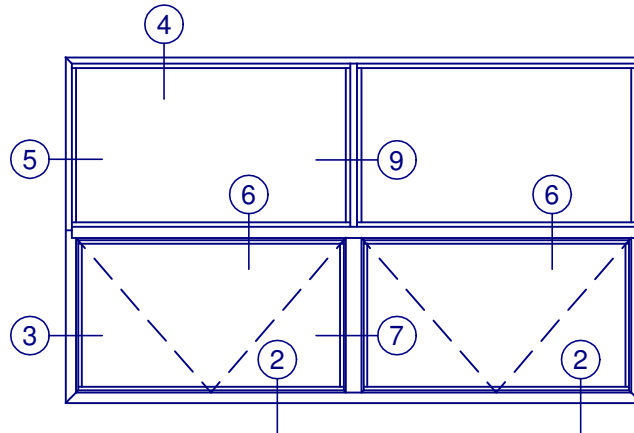
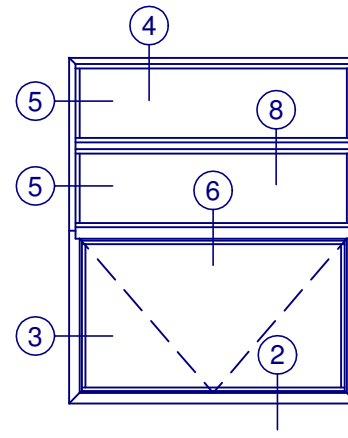
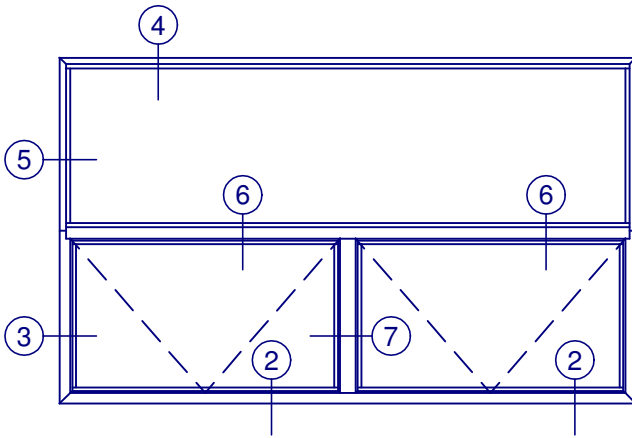
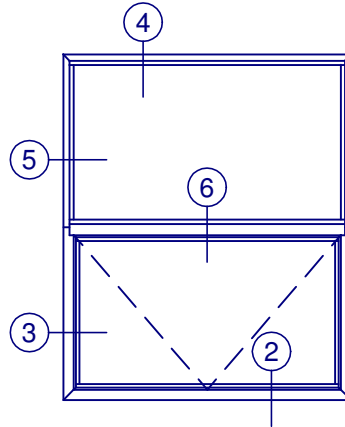
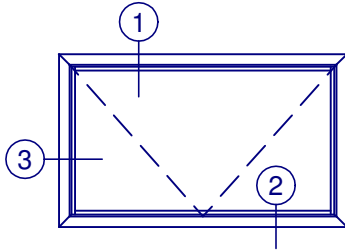


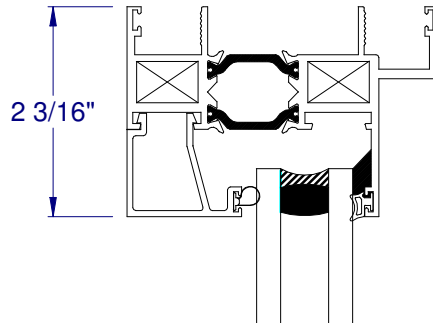
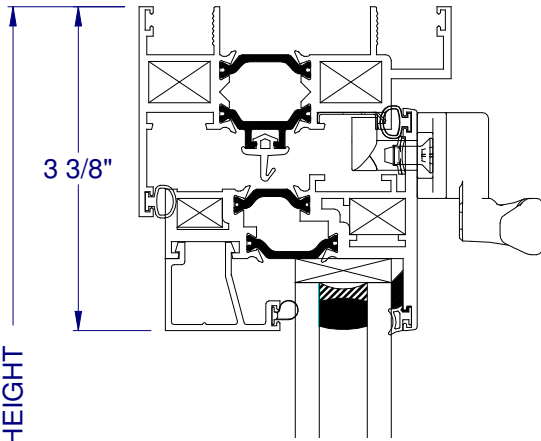
ELEVATIONS

SERIES NX-3400
PROJECT IN



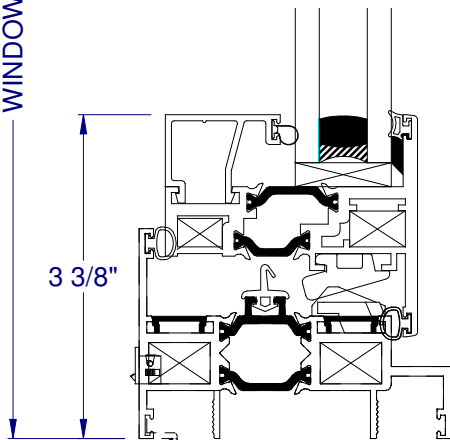
HALF SCALE DETAILS

① OPERATING HEAD



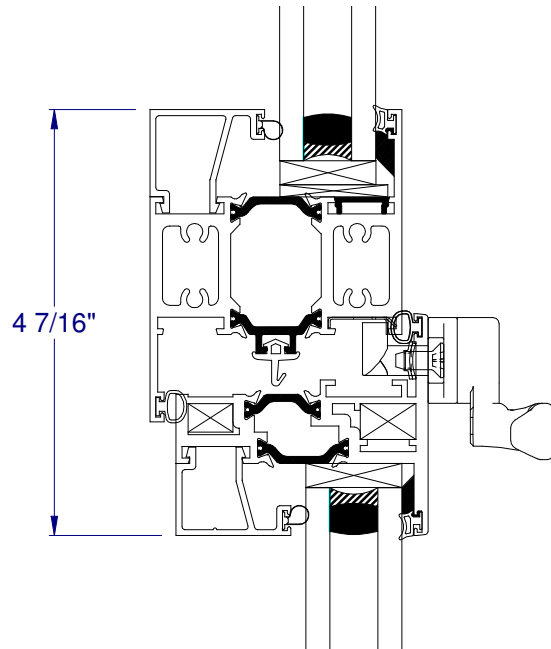
④ FIXED HEAD

WINDOW HEIGHT

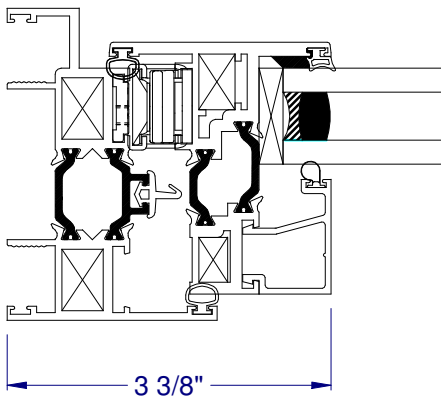


OPTIONAL
PANNING
LEG SILL

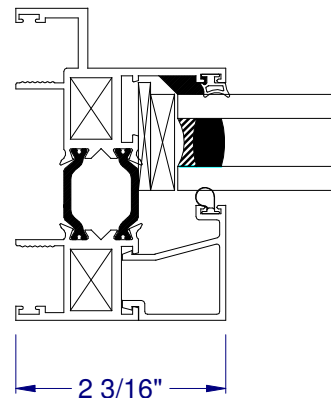
② OPERATING SILL



⑥ HORIZONTAL INTEGRAL
FIXED/VENT MULLION

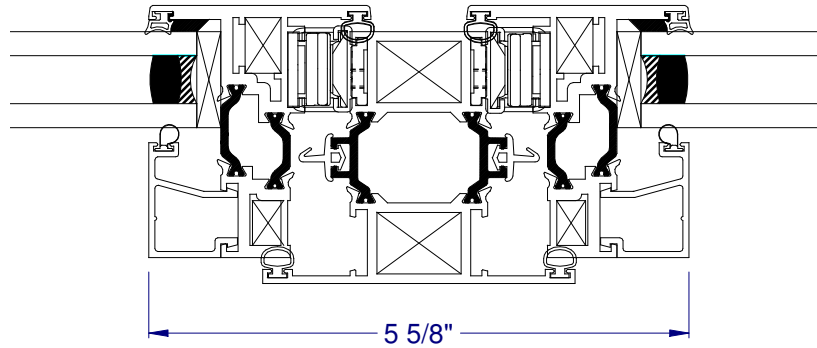


③ VENT JAMB

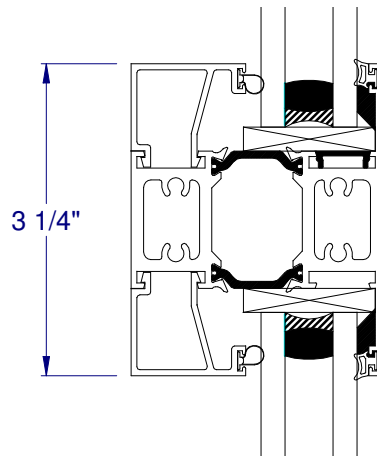


⑤ FIXED JAMB

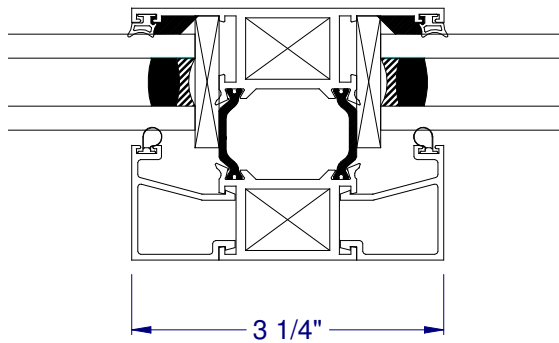
HALF SCALE DETAILS



⑦ VERTICAL INTEGRAL
VENT/VENT MULLION



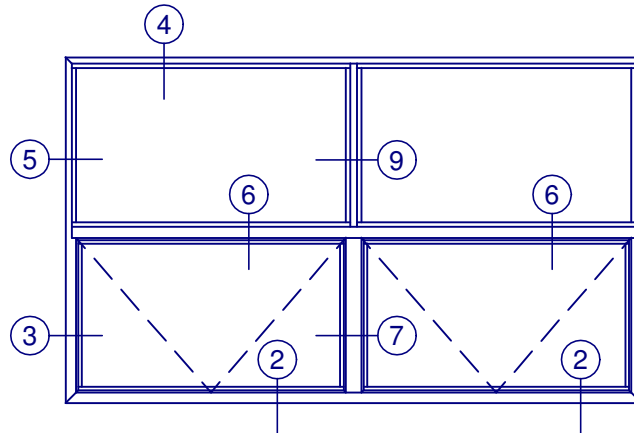
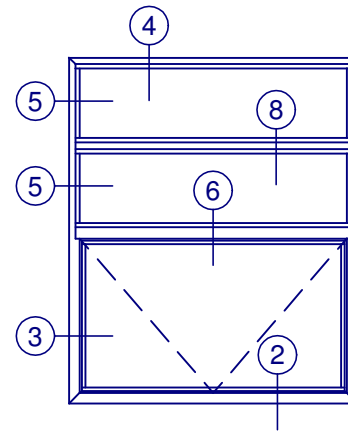
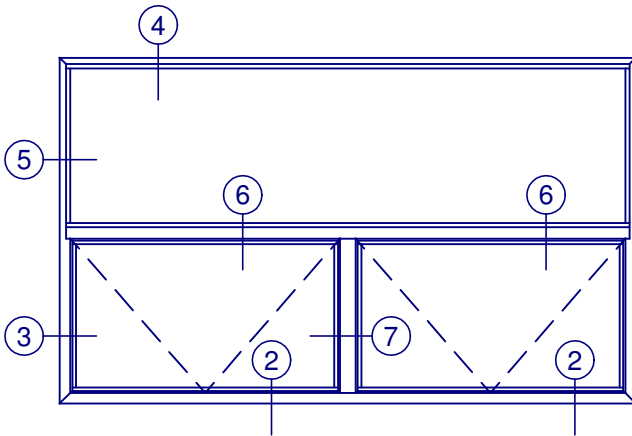
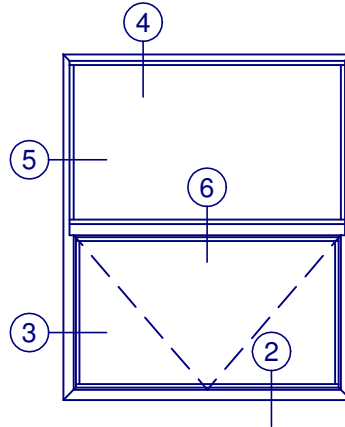
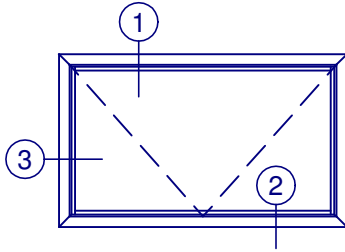
⑧ HORIZONTAL INTEGRAL
FIXED/FIXED MULLION



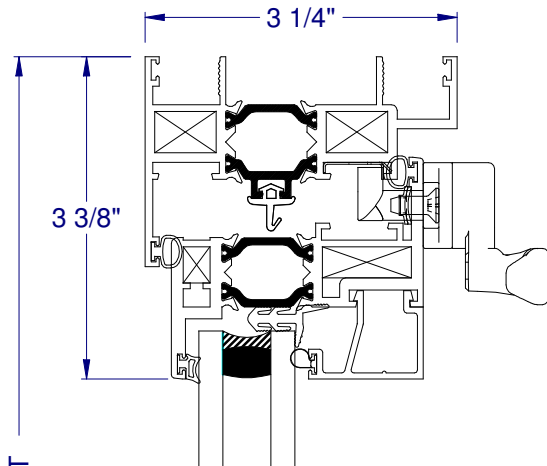
⑨ VERTICAL INTEGRAL
FIXED/FIXED MULLION

ELEVATIONS

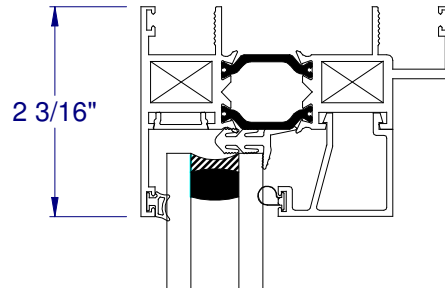
SERIES NX-3400DG
PROJECT IN



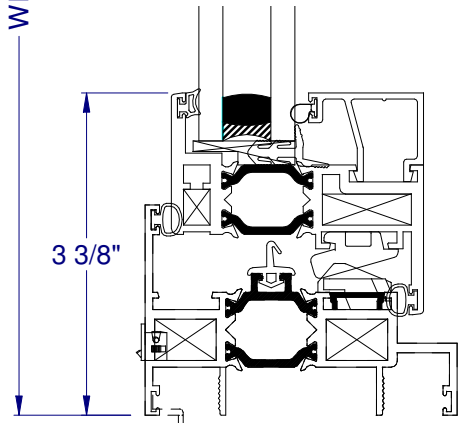
HALF SCALE DETAILS



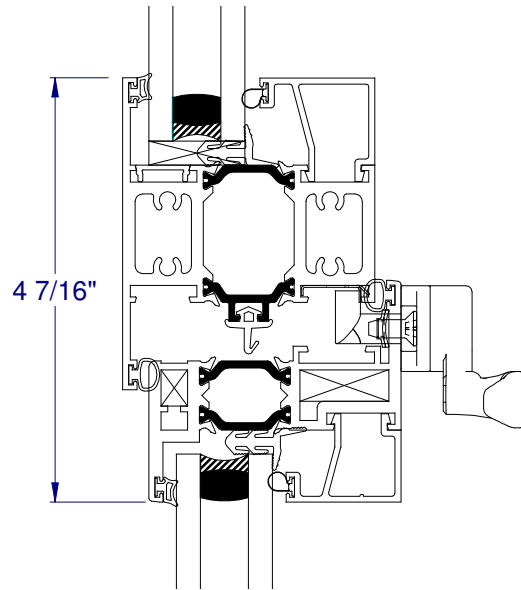
① OPERATING HEAD



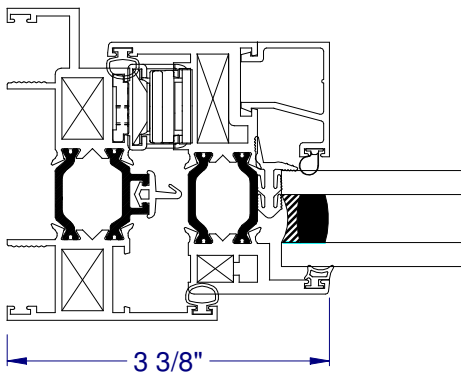
④ FIXED HEAD



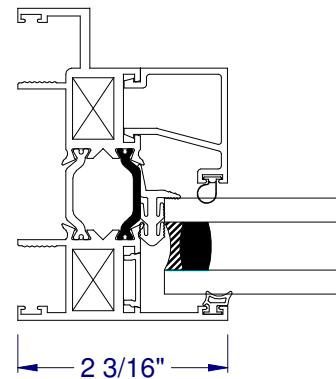
OPTIONAL PANNING LEG SILL
② OPERATING SILL



⑥ HORIZONTAL INTEGRAL
FIXED/VENT MULLION



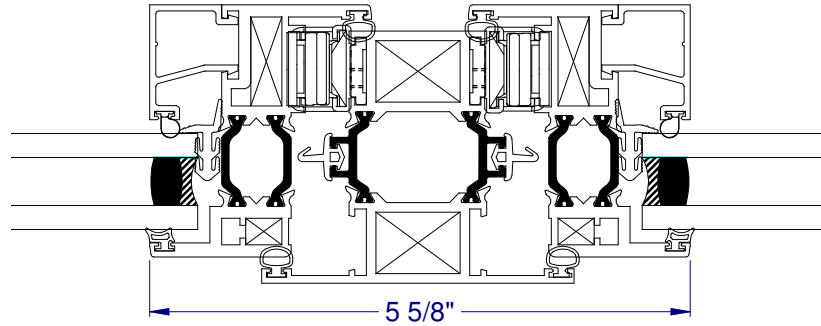
③ VENT JAMB



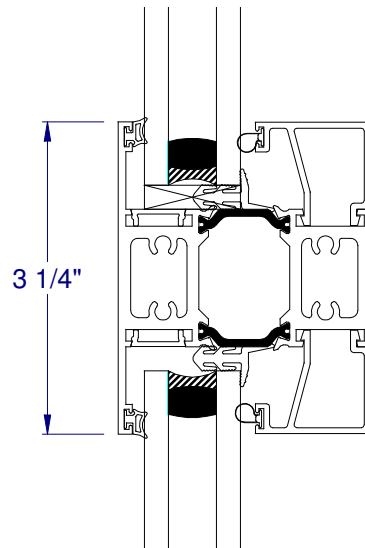
⑤ FIXED JAMB

WINDOW HEIGHT

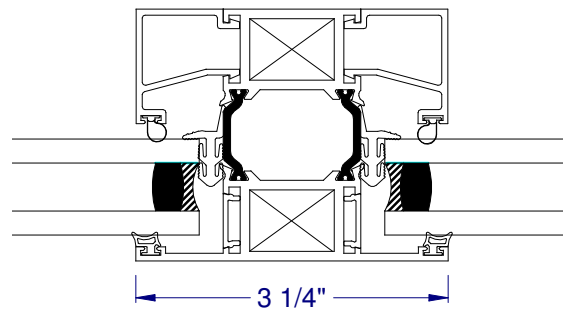
HALF SCALE DETAILS



⑦ VERTICAL INTEGRAL
VENT/VENT MULLION



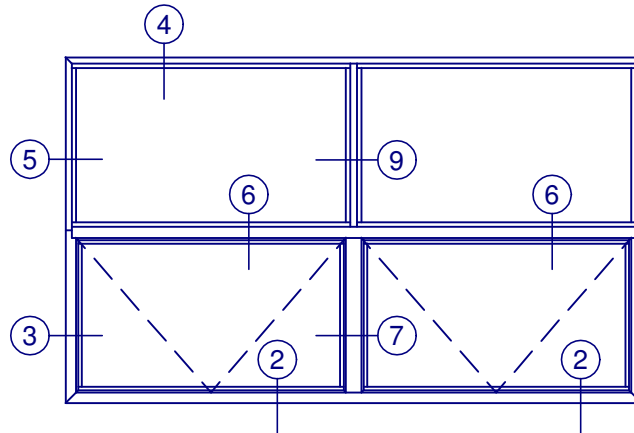
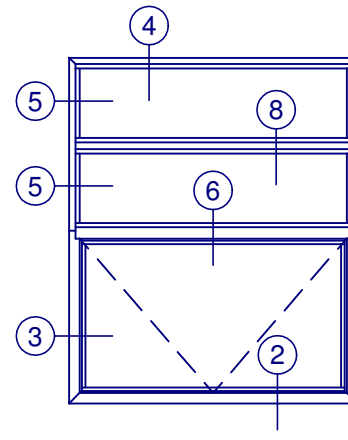
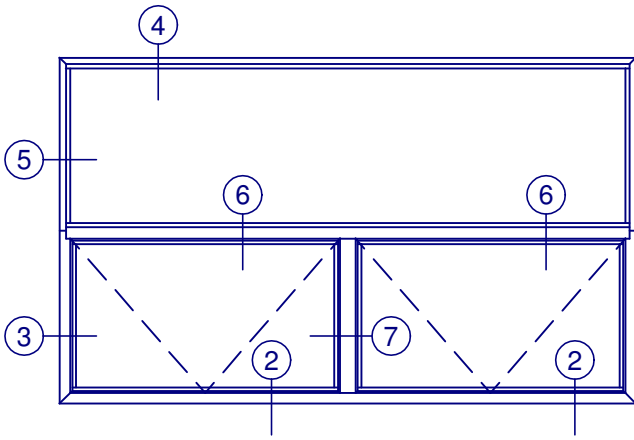
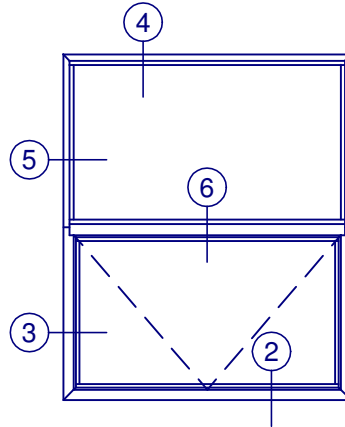
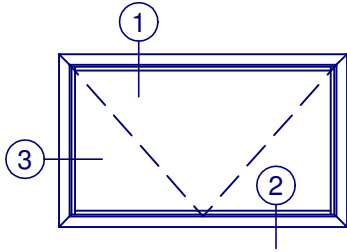
⑧ HORIZONTAL INTEGRAL
FIXED/FIXED MULLION



⑨ VERTICAL INTEGRAL
FIXED/FIXED MULLION

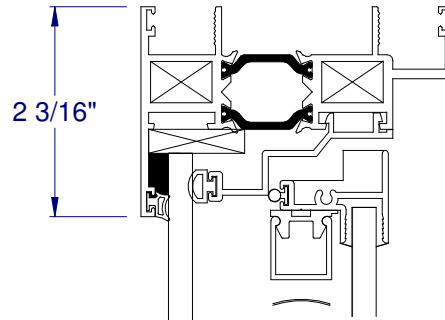
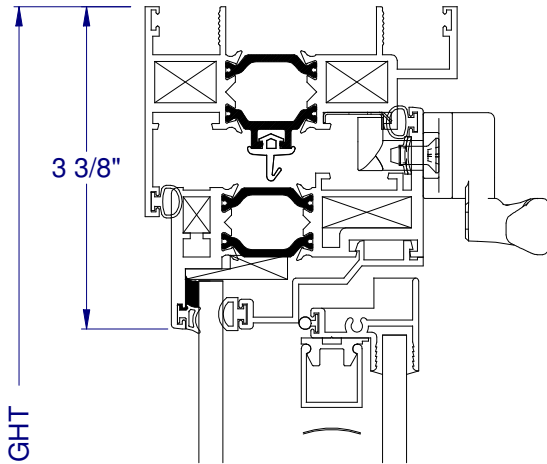
ELEVATIONS

**SERIES NX-3400
PROJECT IN
WITH P2**



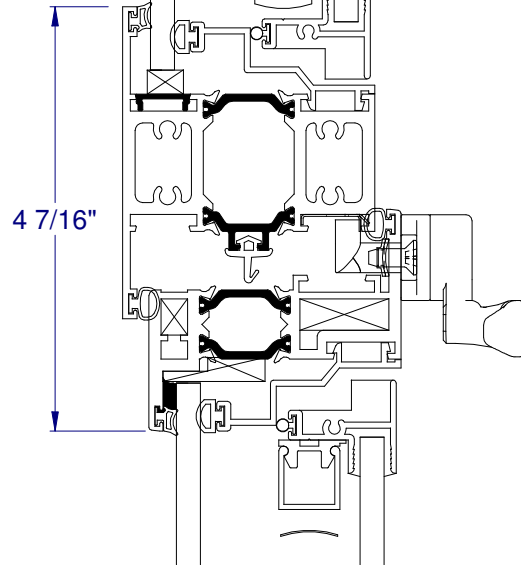
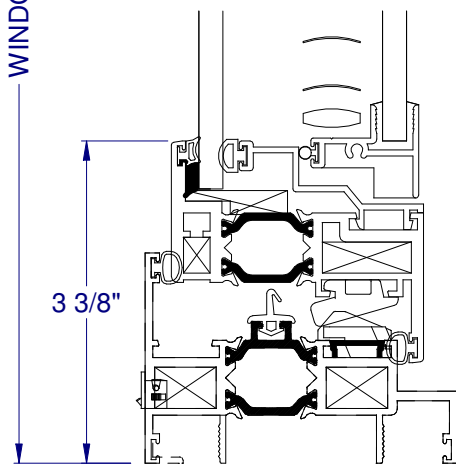
HALF SCALE DETAILS

① OPERATING HEAD



④ FIXED HEAD

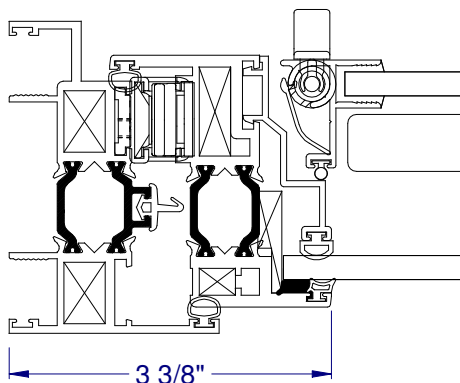
① HEAD VENT



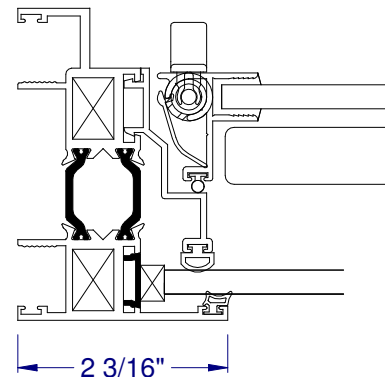
⑥ HORIZONTAL INTEGRAL
FIXED/VENT MULLION

OPTIONAL
PANNING
LEG SILL

② OPERATING SILL

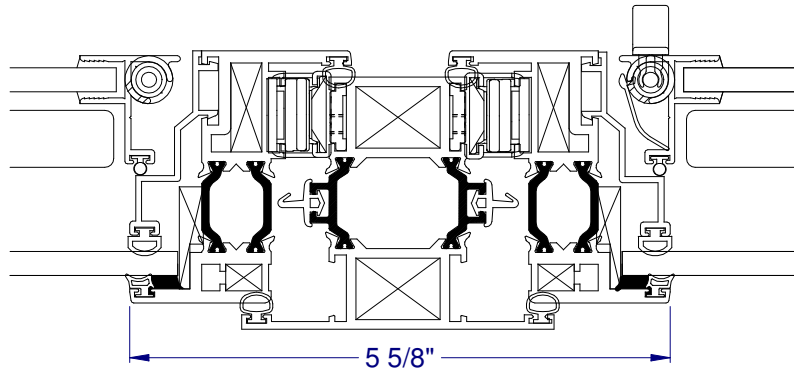


③ VENT JAMB

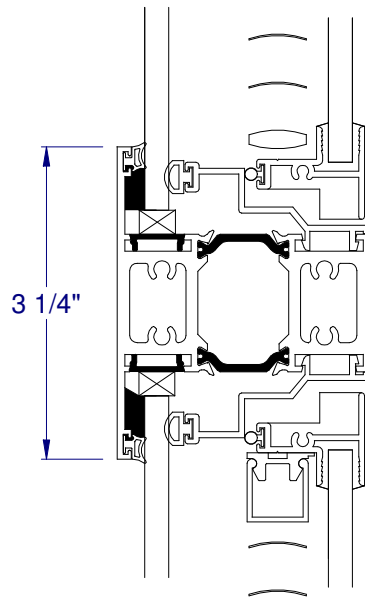


⑤ FIXED JAMB

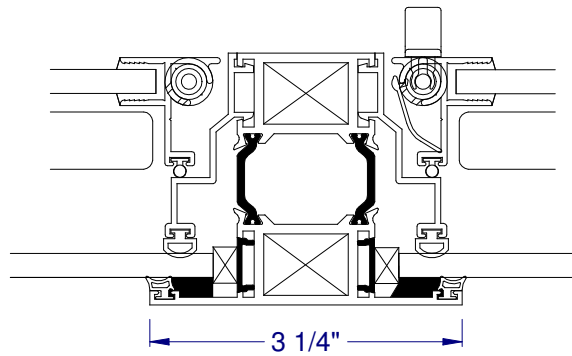
HALF SCALE DETAILS



⑦ VERTICAL INTEGRAL
VENT/VENT MULLION



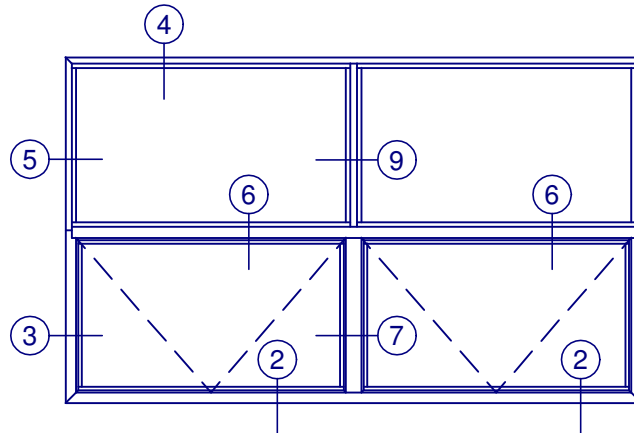
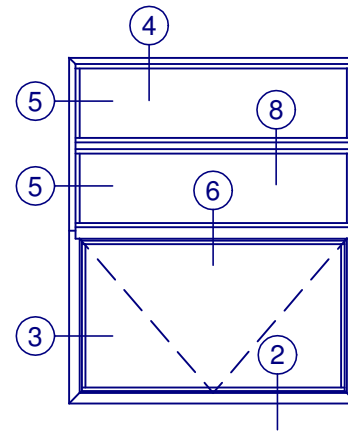
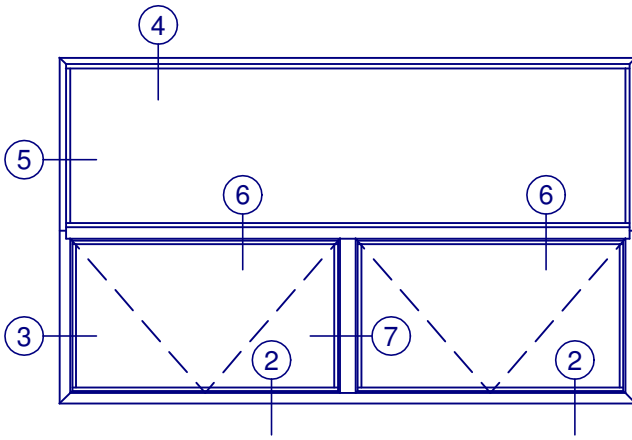
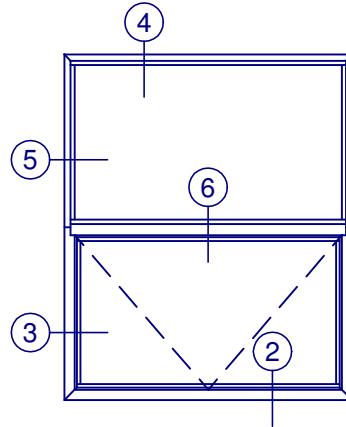
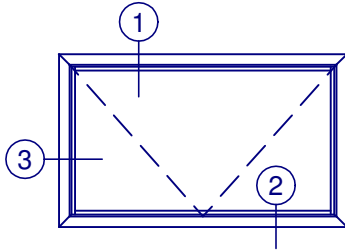
⑧ HORIZONTAL INTEGRAL
FIXED/FIXED MULLION



⑨ VERTICAL INTEGRAL
FIXED/FIXED MULLION

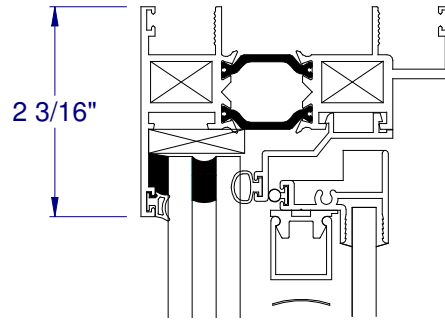
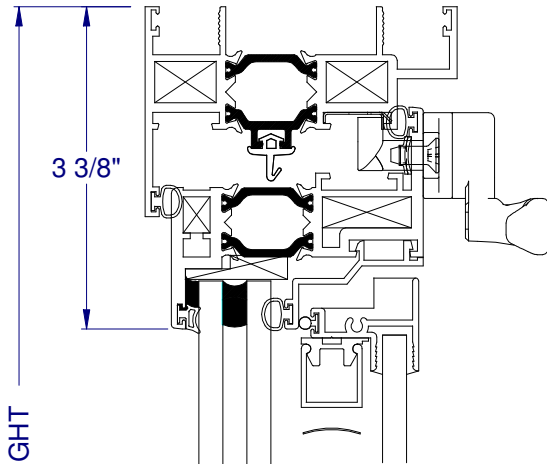
ELEVATIONS

SERIES NX-3400
PROJECT IN
WITH I3



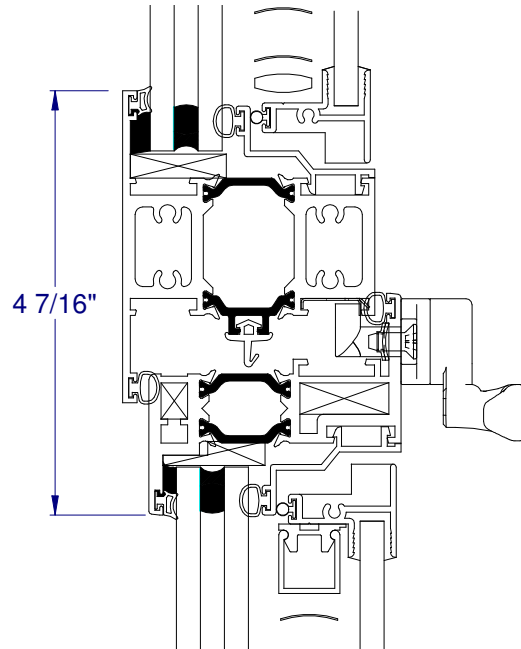
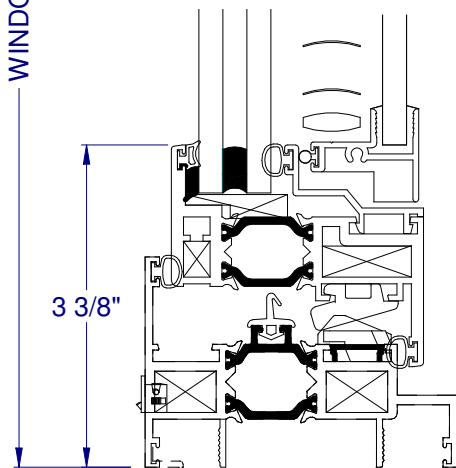
HALF SCALE DETAILS

① OPERATING HEAD



④ FIXED HEAD

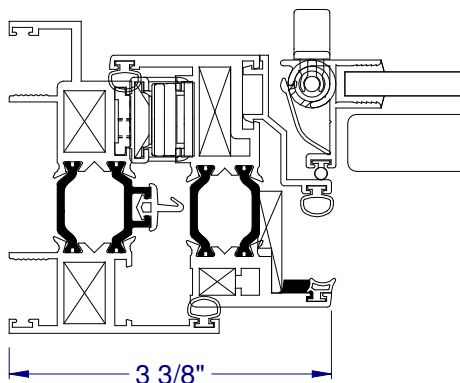
① HEAD VENT



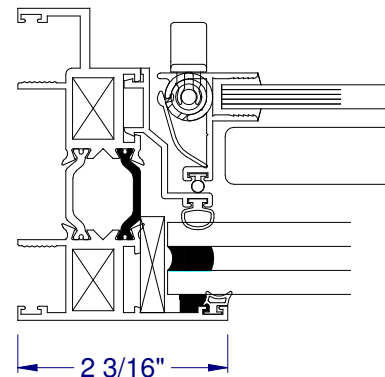
⑥ HORIZONTAL INTEGRAL
FIXED/VENT MULLION

OPTIONAL
PANNING
LEG SILL

② OPERATING SILL

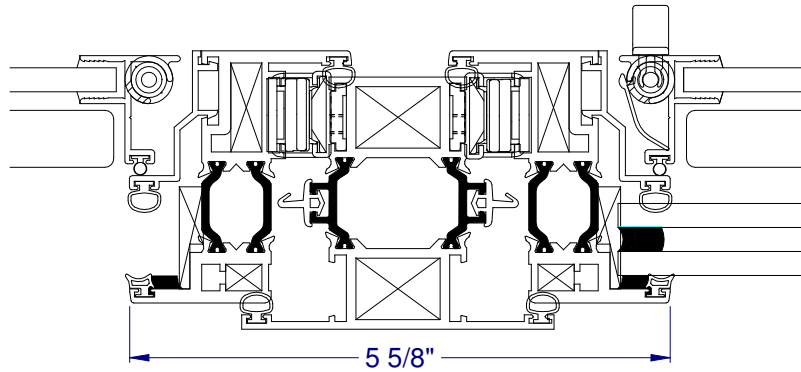


③ VENT JAMB

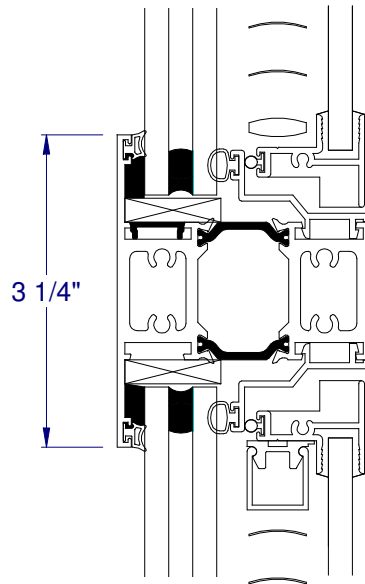


⑤ FIXED JAMB

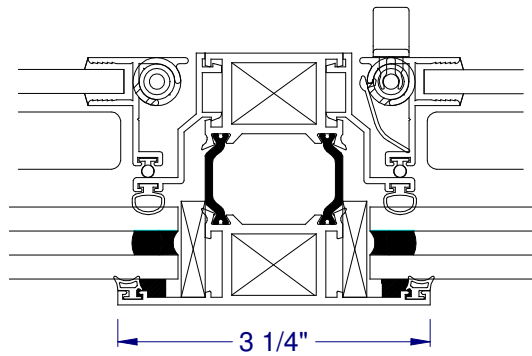
HALF SCALE DETAILS



⑦ VERTICAL INTEGRAL
VENT/VENT MULLION



⑧ HORIZONTAL INTEGRAL
FIXED/FIXED MULLION



⑨ VERTICAL INTEGRAL
FIXED/FIXED MULLION