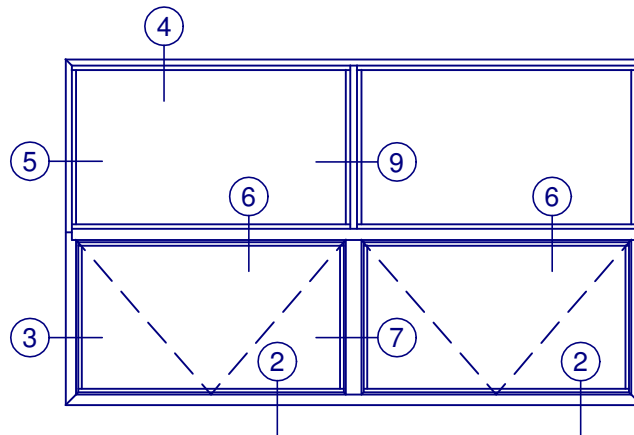
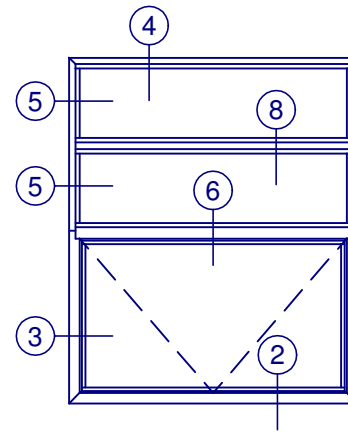
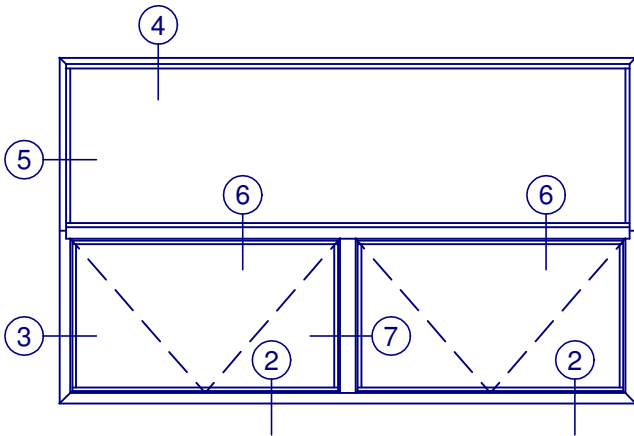
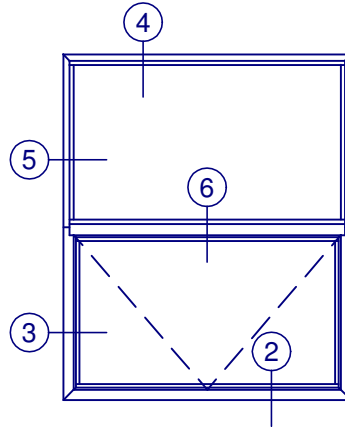
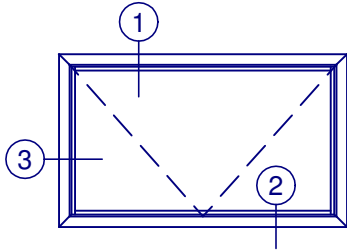


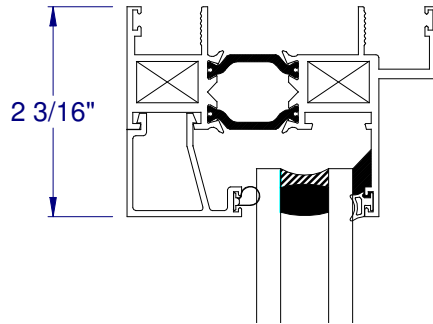
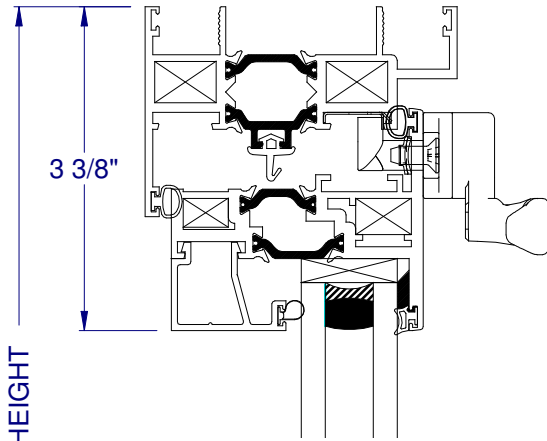
ELEVATIONS

SERIES NX-3400
PROJECT IN

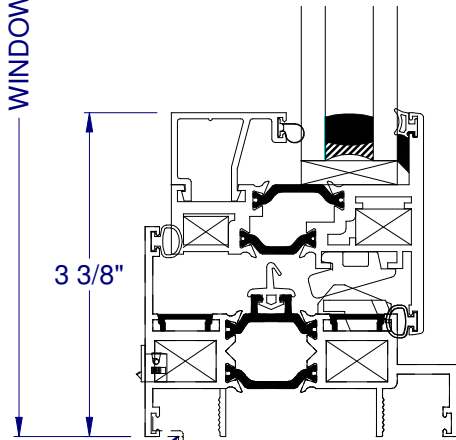


HALF SCALE DETAILS

① OPERATING HEAD

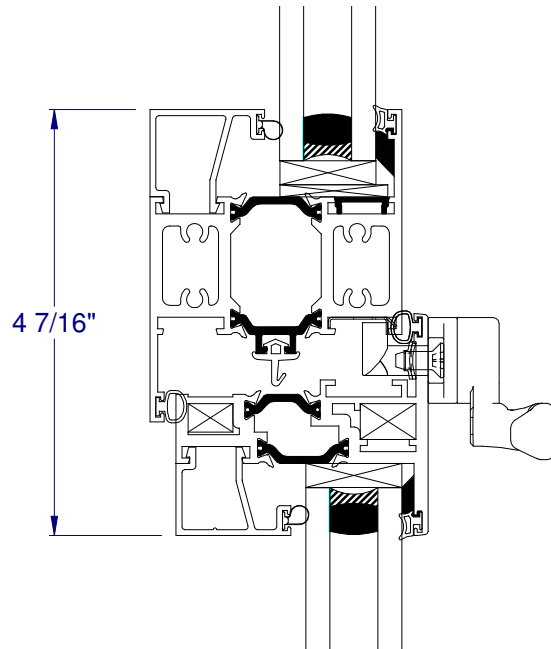


④ FIXED HEAD

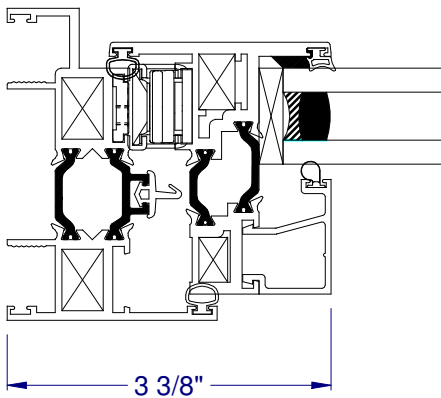


OPTIONAL
PANNING
LEG SILL

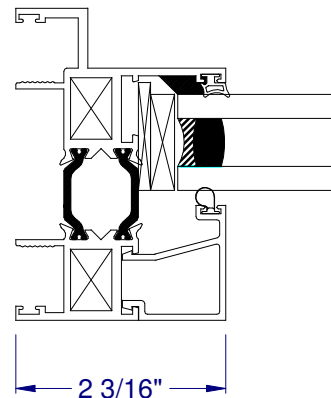
② OPERATING SILL



⑥ HORIZONTAL INTEGRAL
FIXED/VENT MULLION

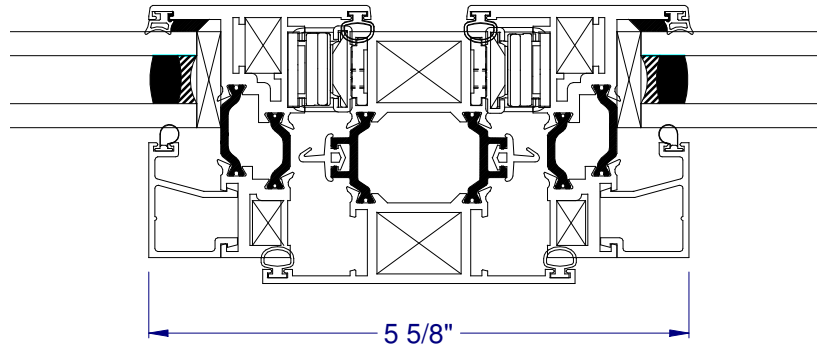


③ VENT JAMB

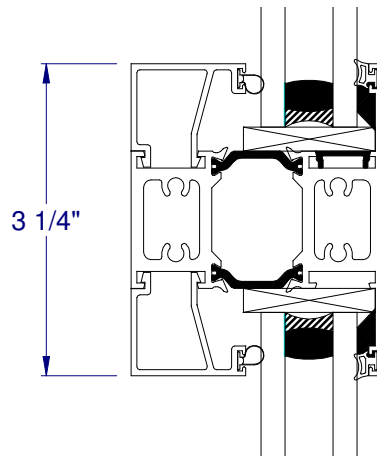


⑤ FIXED JAMB

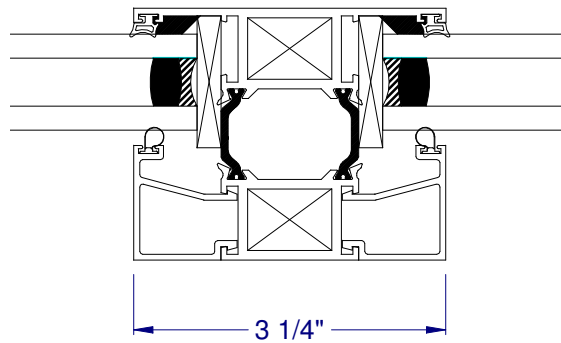
HALF SCALE DETAILS



⑦ VERTICAL INTEGRAL
VENT/VENT MULLION



⑧ HORIZONTAL INTEGRAL
FIXED/FIXED MULLION



⑨ VERTICAL INTEGRAL
FIXED/FIXED MULLION