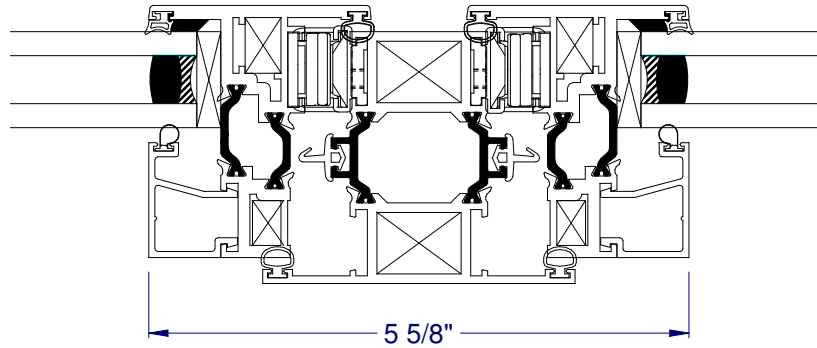
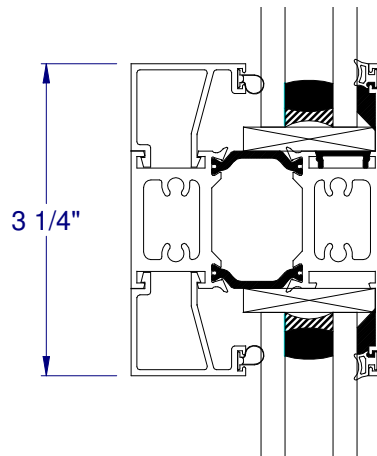


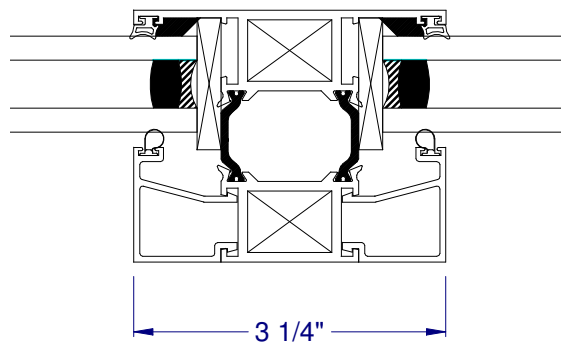
**HALF SCALE DETAILS**



⑦ VERTICAL INTEGRAL  
VENT/VENT MULLION



⑧ HORIZONTAL INTEGRAL  
FIXED/FIXED MULLION



⑨ VERTICAL INTEGRAL  
FIXED/FIXED MULLION