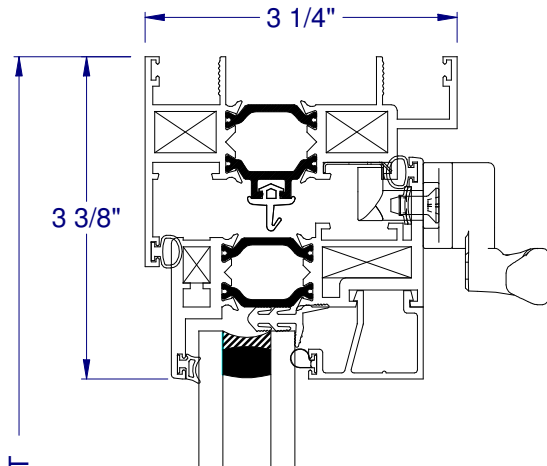
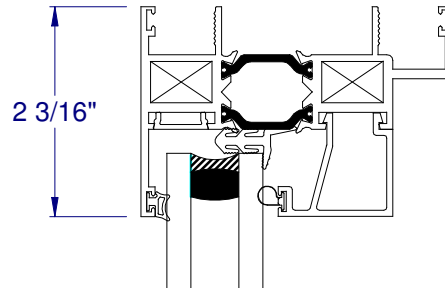


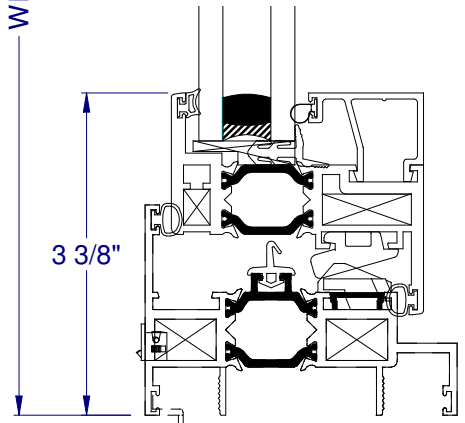
HALF SCALE DETAILS



① OPERATING HEAD

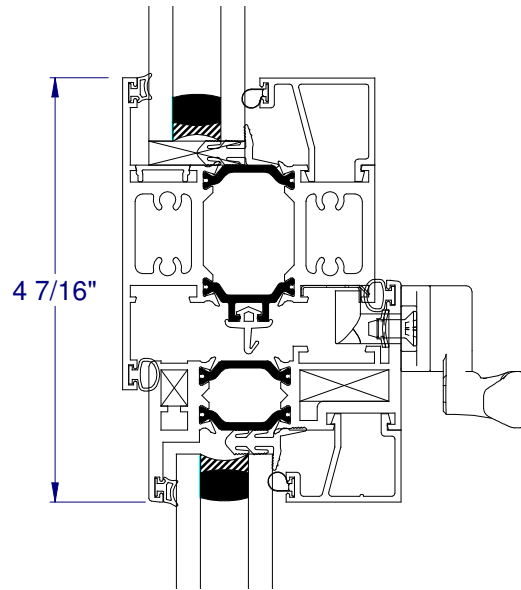


④ FIXED HEAD

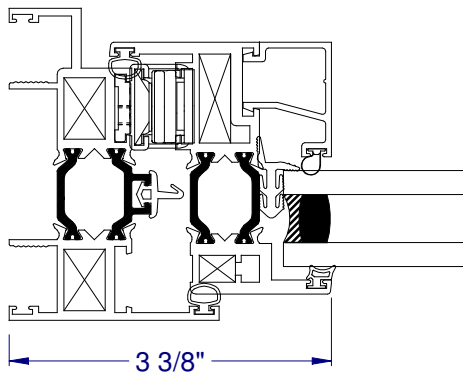


OPTIONAL
PANNING
LEG SILL

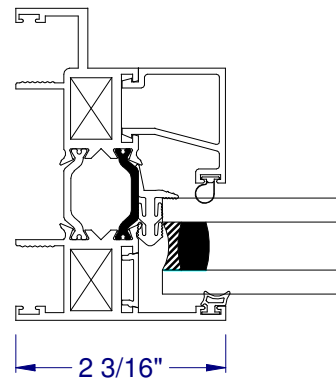
② OPERATING SILL



⑥ HORIZONTAL INTEGRAL
FIXED/VENT MULLION



③ VENT JAMB



⑤ FIXED JAMB

WINDOW HEIGHT