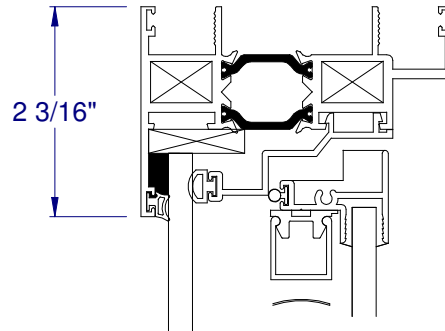
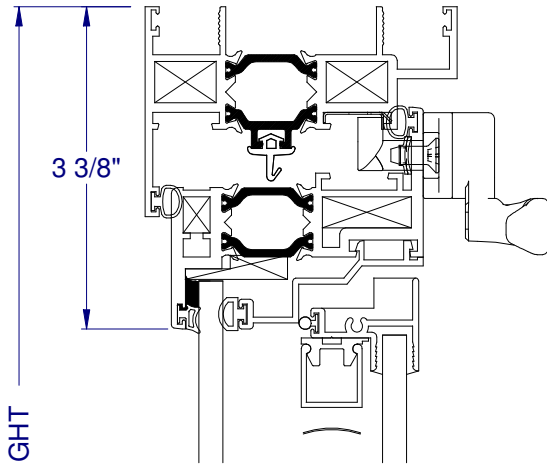


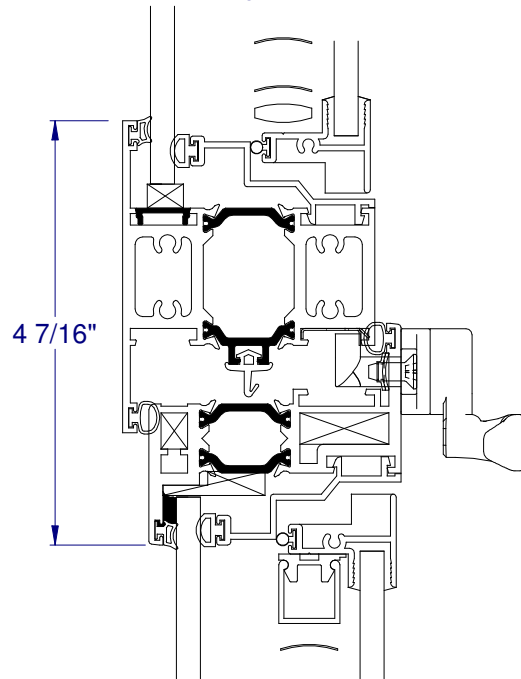
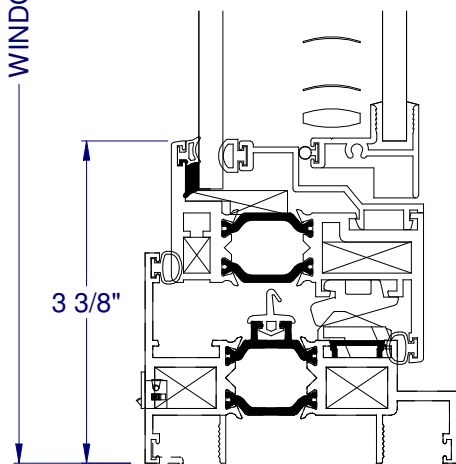
HALF SCALE DETAILS

① OPERATING HEAD



④ FIXED HEAD

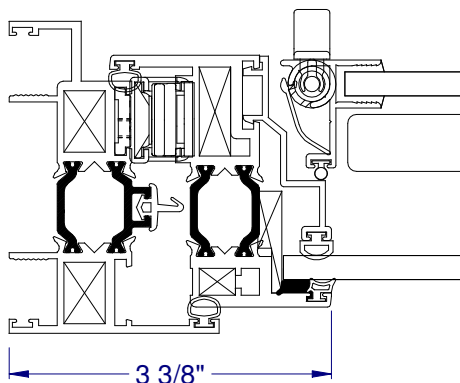
① HEAD VENT



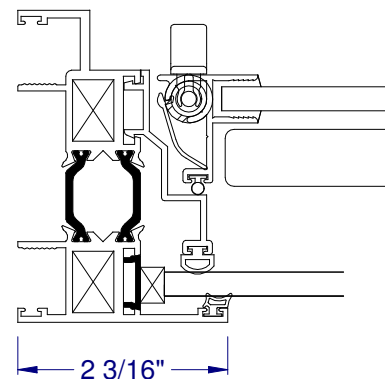
⑥ HORIZONTAL INTEGRAL
FIXED/VENT MULLION

OPTIONAL
PANNING
LEG SILL

② OPERATING SILL



③ VENT JAMB



⑤ FIXED JAMB