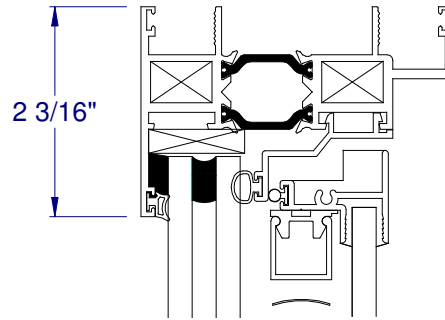
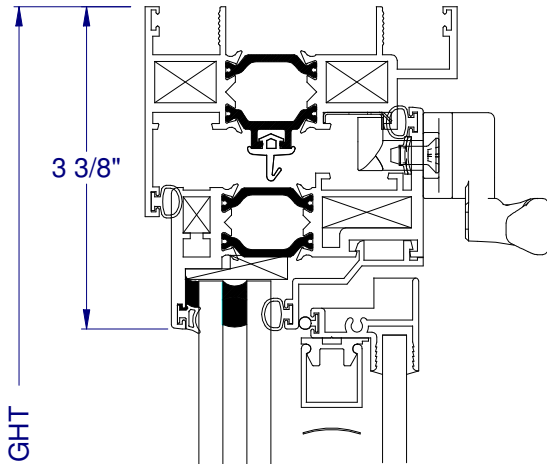


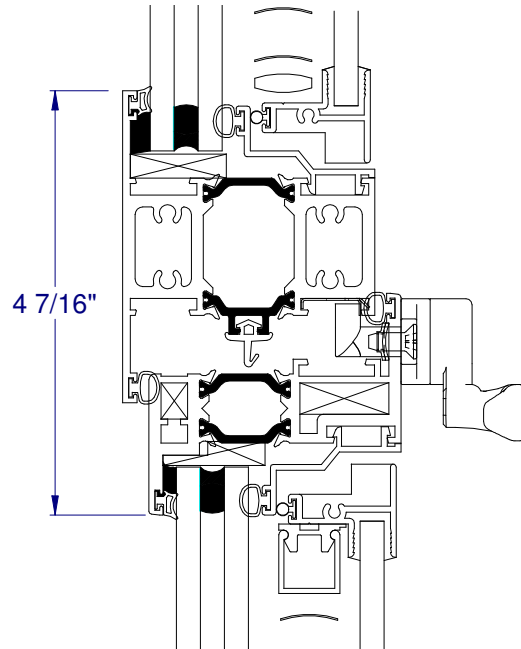
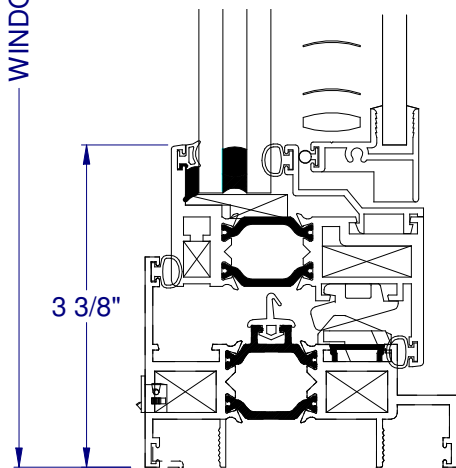
**HALF SCALE DETAILS**

① OPERATING HEAD



④ FIXED HEAD

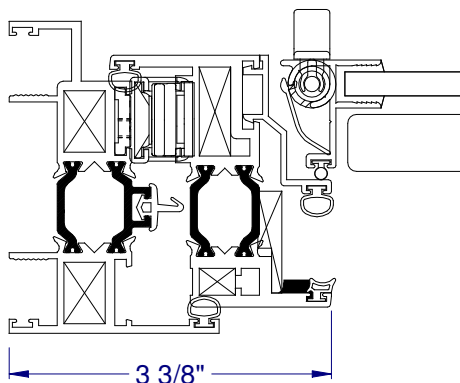
① HEAD VENT



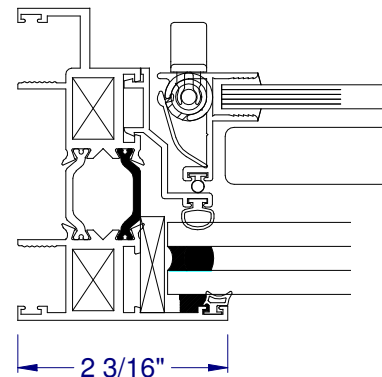
⑥ HORIZONTAL INTEGRAL  
FIXED/VENT MULLION

OPTIONAL  
PANNING  
LEG SILL

② OPERATING SILL



③ VENT JAMB



⑤ FIXED JAMB