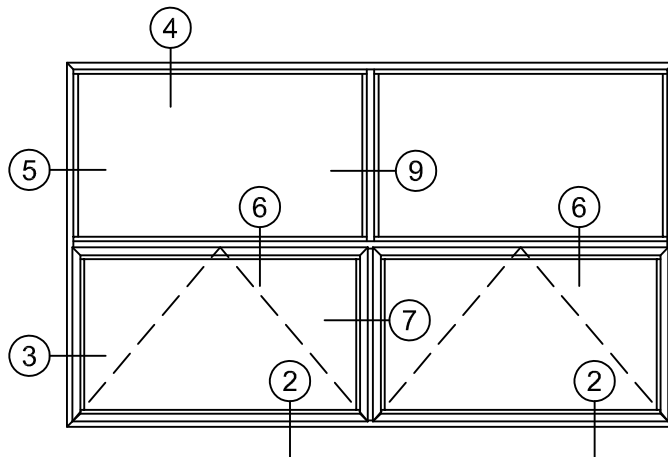
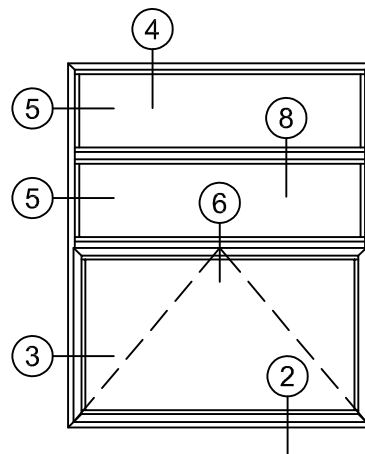
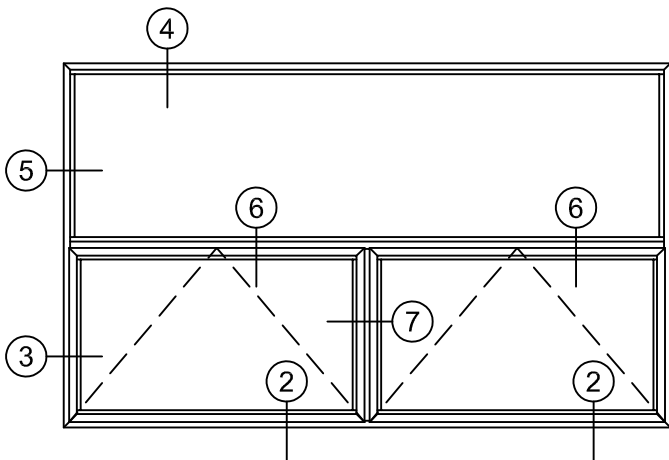
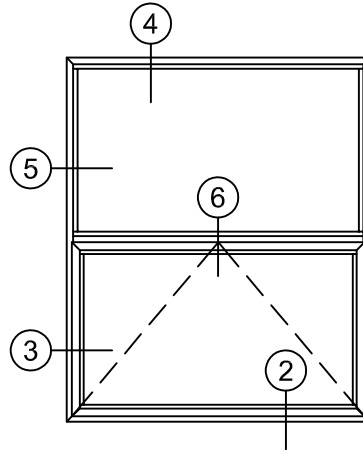
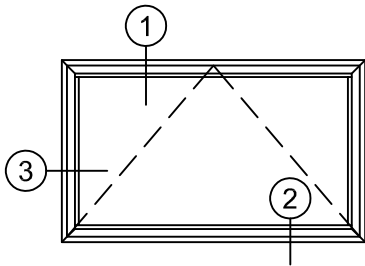


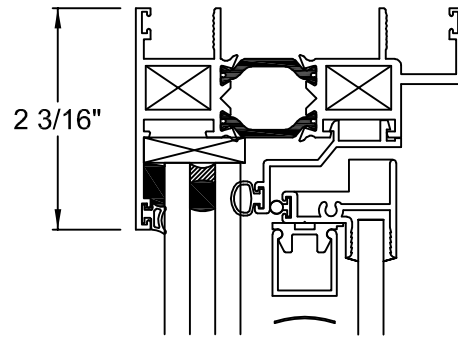
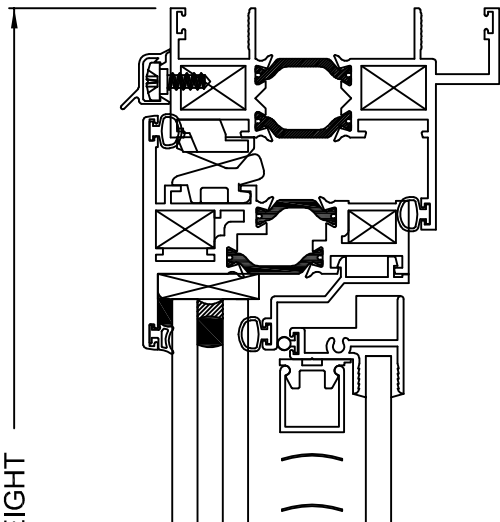
ELEVATIONS

SERIES NX-3500
PROJECT OUT
WITH I3



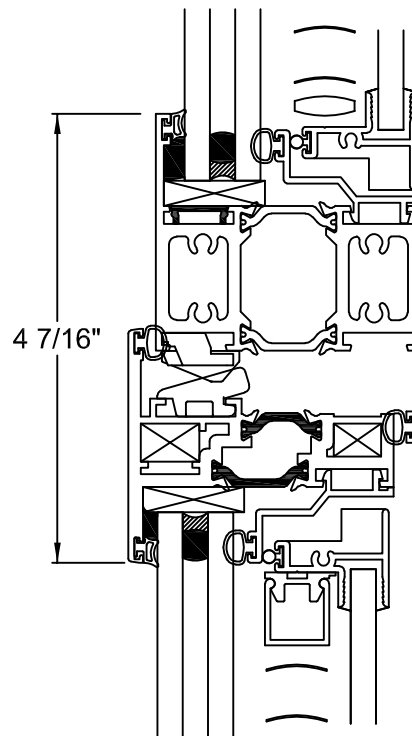
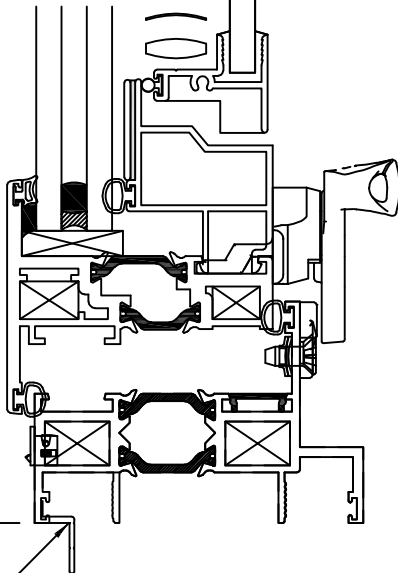
HALF SCALE DETAILS

① OPERATING HEAD



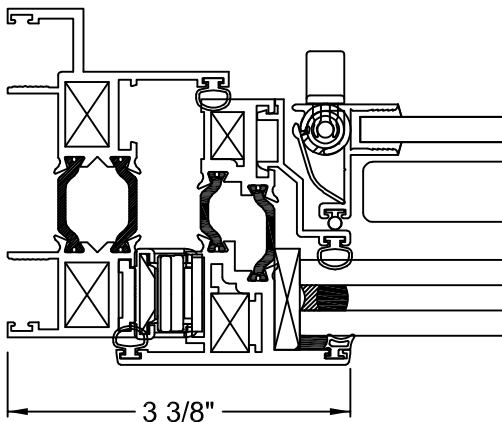
④ FIXED HEAD

① HEAD VENT

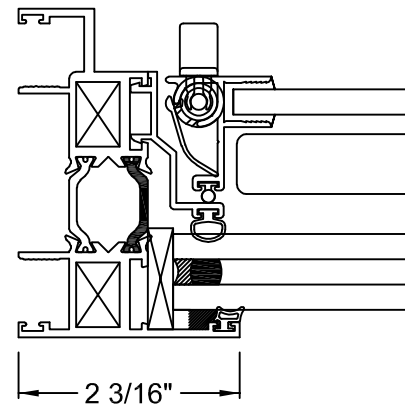


⑥ HORIZONTAL INTEGRAL
FIXED/VENT MULLION

② OPERATING SILL

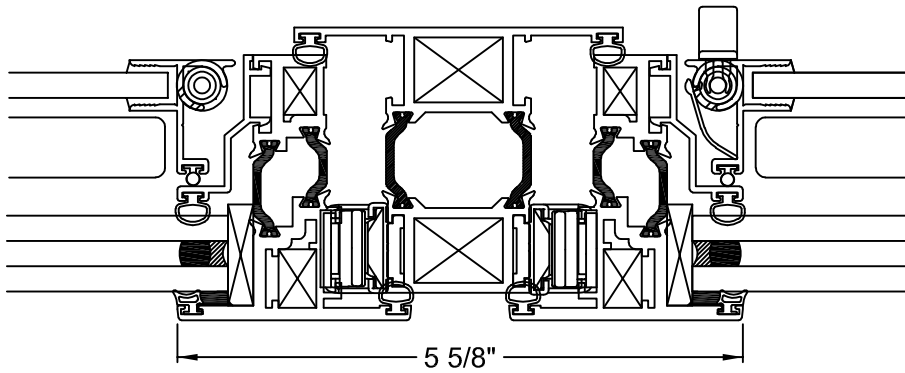


③ VENT JAMB

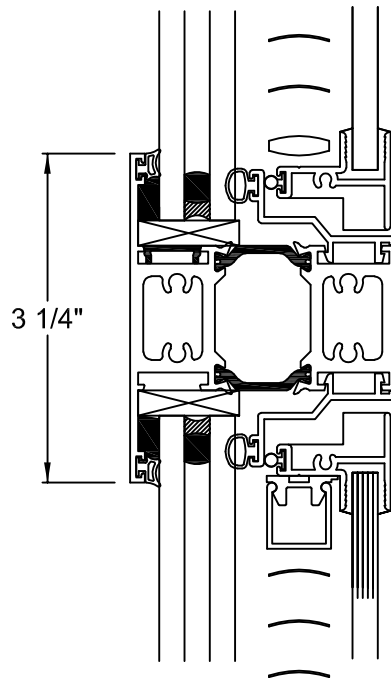


⑤ FIXED JAMB

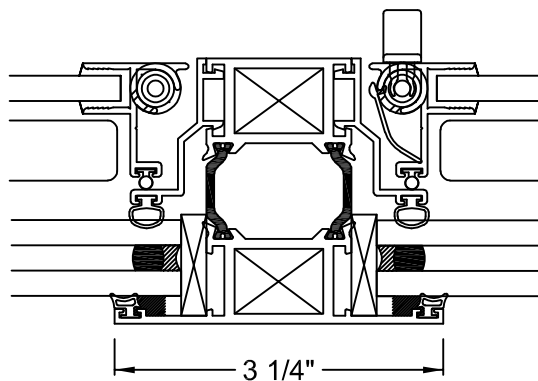
HALF SCALE DETAILS



⑦ VERTICAL INTEGRAL
VENT/VENT MULLION



⑧ HORIZONTAL INTEGRAL
FIXED/FIXED MULLION



⑨ VERTICAL INTEGRAL
FIXED/FIXED MULLION