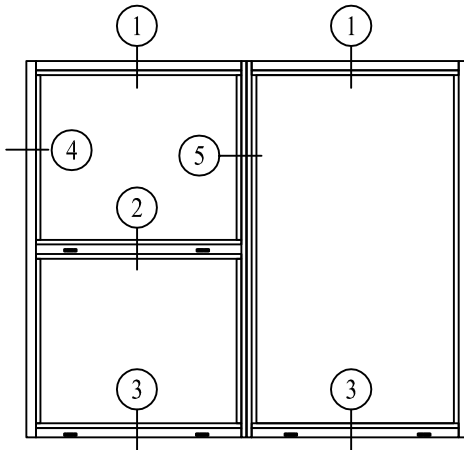


Elevations

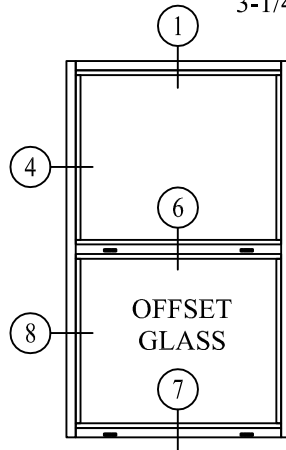
SERIES TR-7100

3-1/4" DEPTH

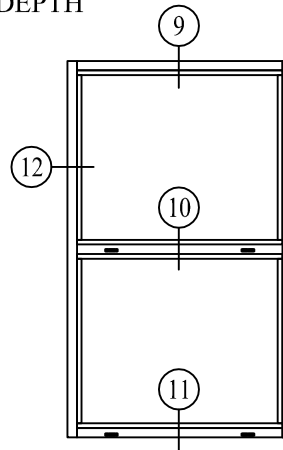


TR-7102

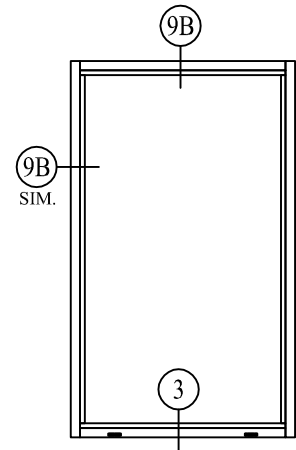
TR-7100



TR-7102

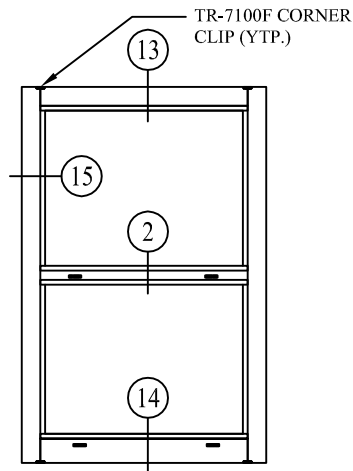


TR-7102

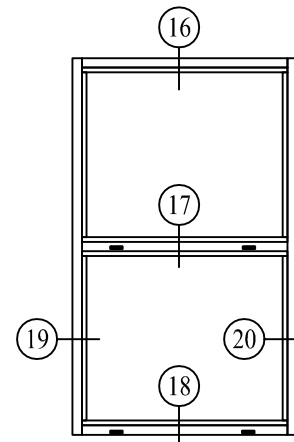


TR-7100

(EXTERIOR GLAZED A) (EXTERIOR GLAZED B)



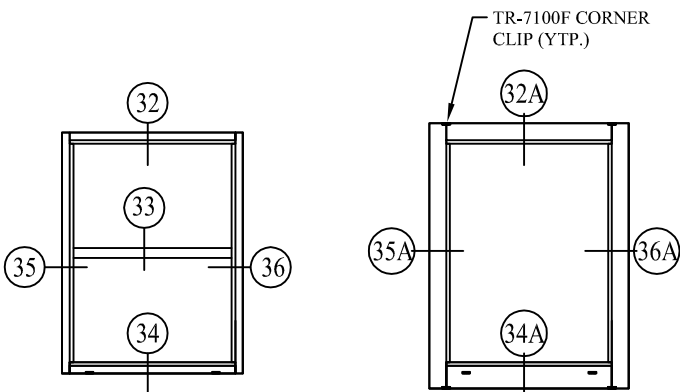
TR-7100F
(FLANGE FRAME)



TR-7102
(DUAL GLAZED)

SERIES TR-9500

4" DEPTH



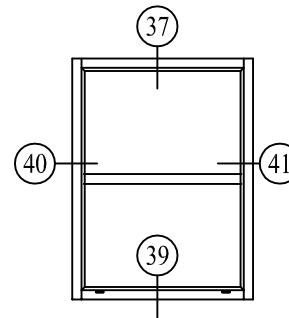
TR-9500

TR-9500F FLANGE FRAME
(OPTIONAL)

(REFER TO TR-9000 SECTION FOR
ADDITIONAL DETAILS)

SERIES TR-9950

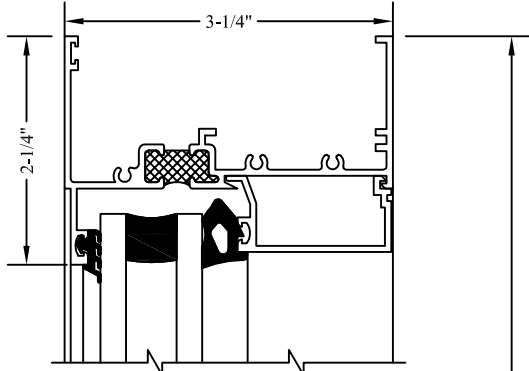
4-1/2" DEPTH



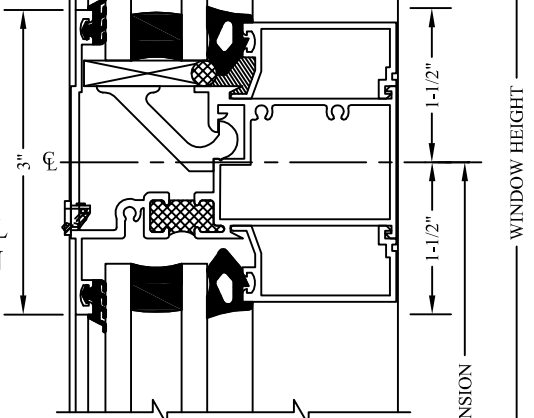
(REFER TO TR-9900 SECTION FOR
ADDITIONAL DETAILS)

Half Scale Sections

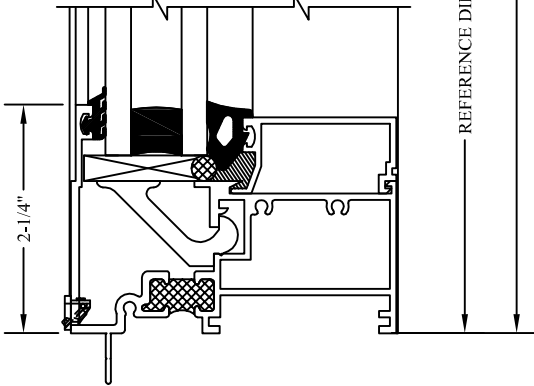
①
HEAD



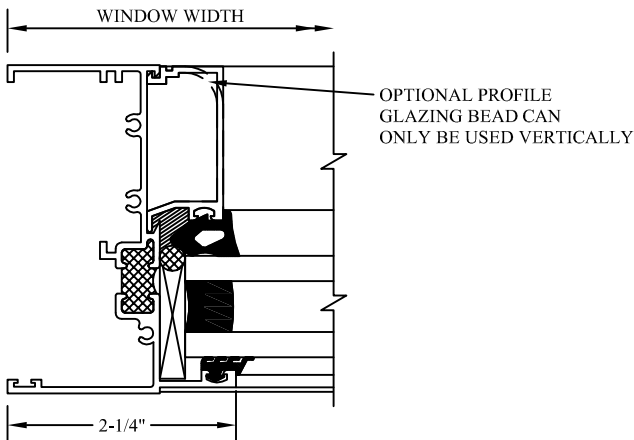
②
HORIZ.
INTEGRAL
MULLION



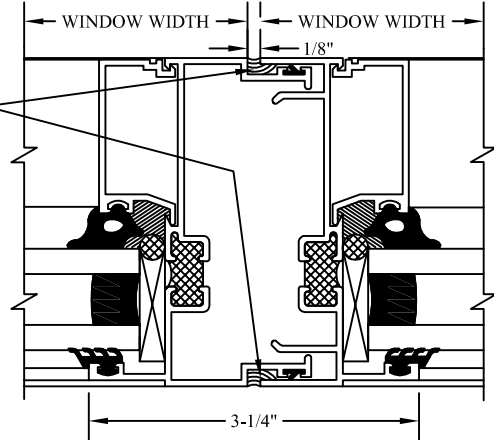
③
SILL



④
JAMB

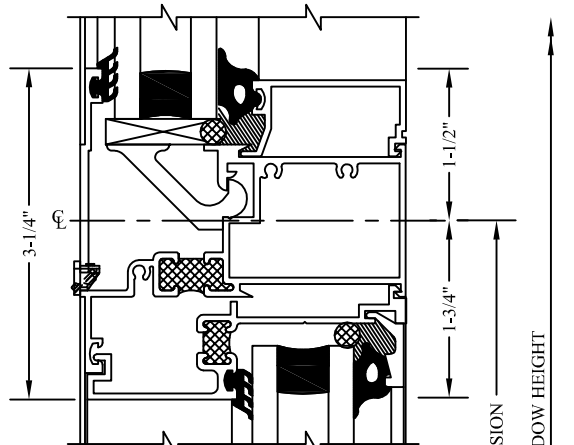


SEALANT
BY OTHERS

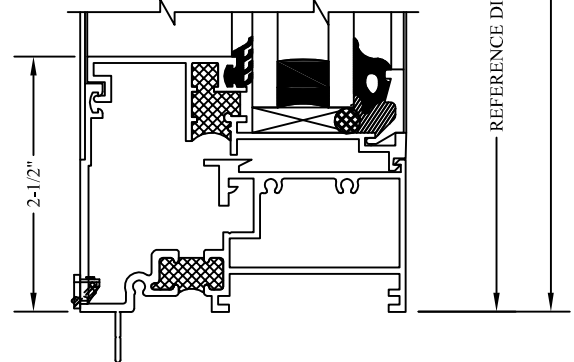


⑤
EXPANSION VERTICAL

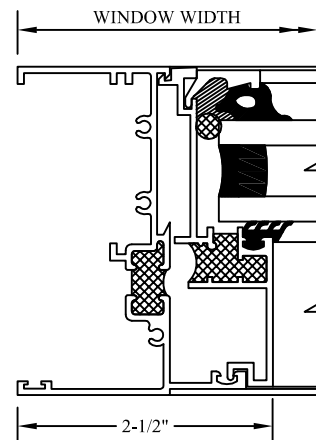
⑥
HORIZ.
INTEGRAL
MULLION
(OFFSET)



⑦
SILL
(OFFSET)

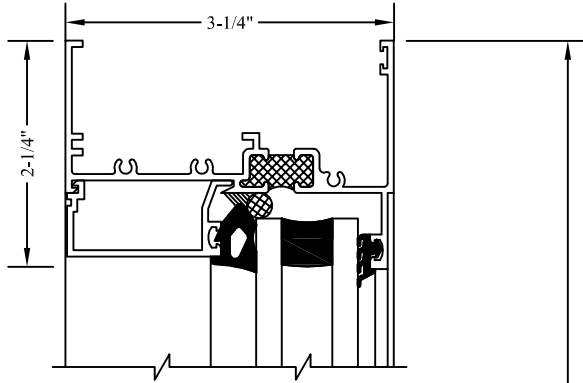


⑧
JAMB
(OFFSET)

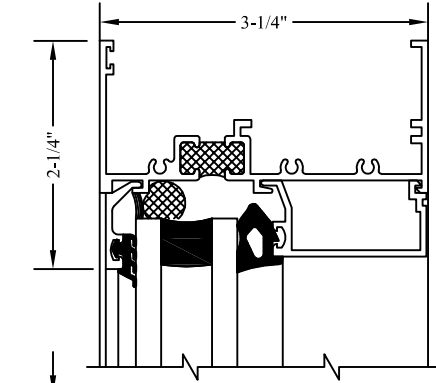


Half Scale Sections

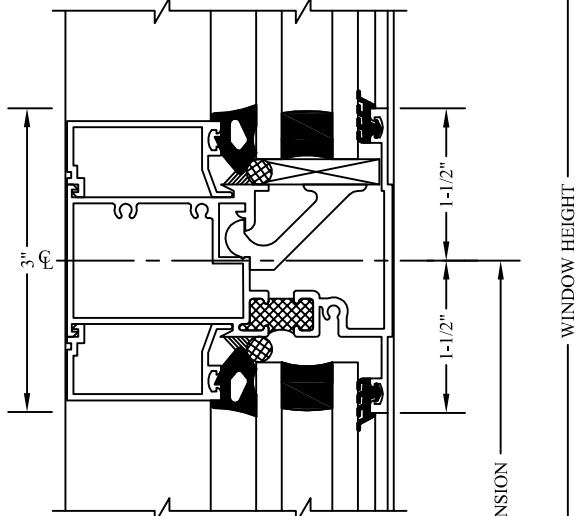
9
HEAD
(EXTERIOR
GLAZED A)



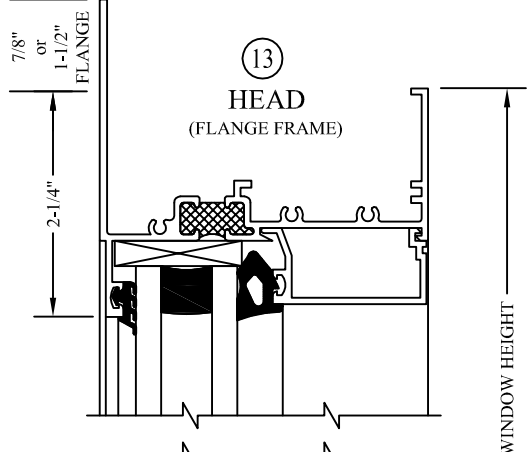
9B
HEAD
(EXTERIOR
GLAZED B)



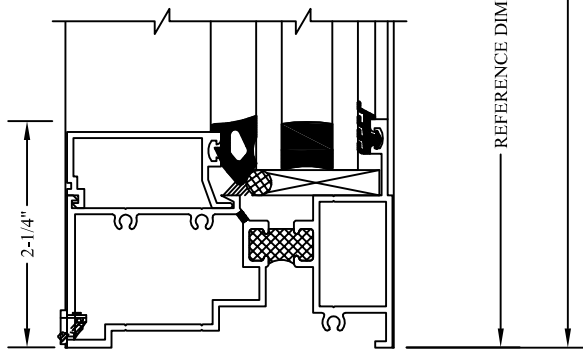
10
**HORIZ.
INTEGRAL
MULLION**
(EXTERIOR
GLAZED A)



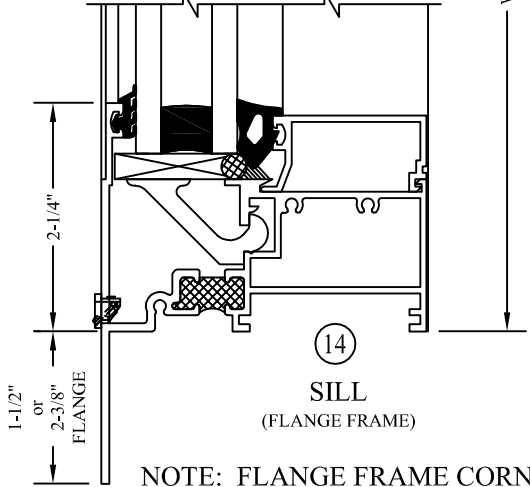
13
HEAD
(FLANGE FRAME)



11
SILL
(EXTERIOR
GLAZED A)

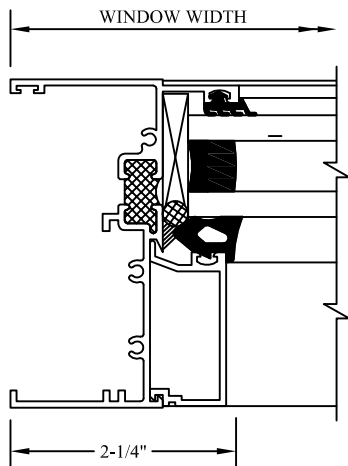


14
SILL
(FLANGE FRAME)

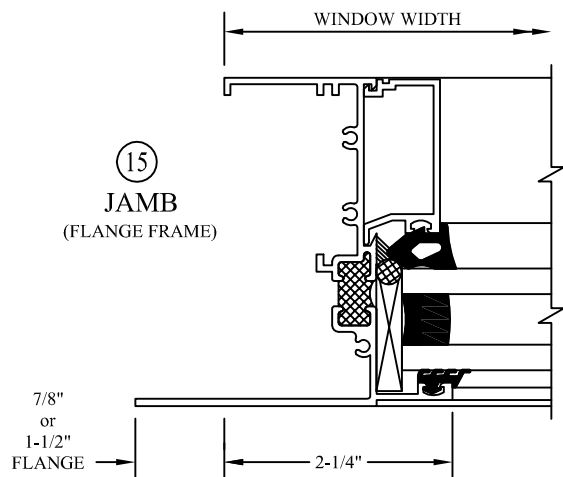


NOTE: FLANGE FRAME CORNER
BACKSEALING BY OTHERS

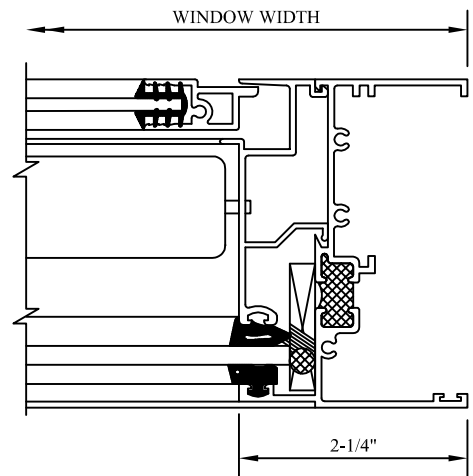
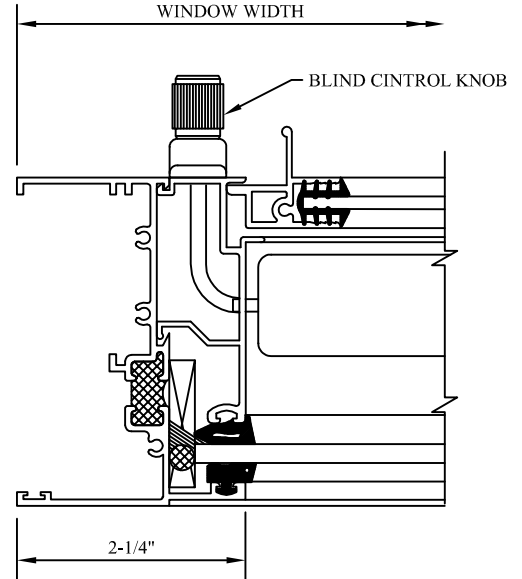
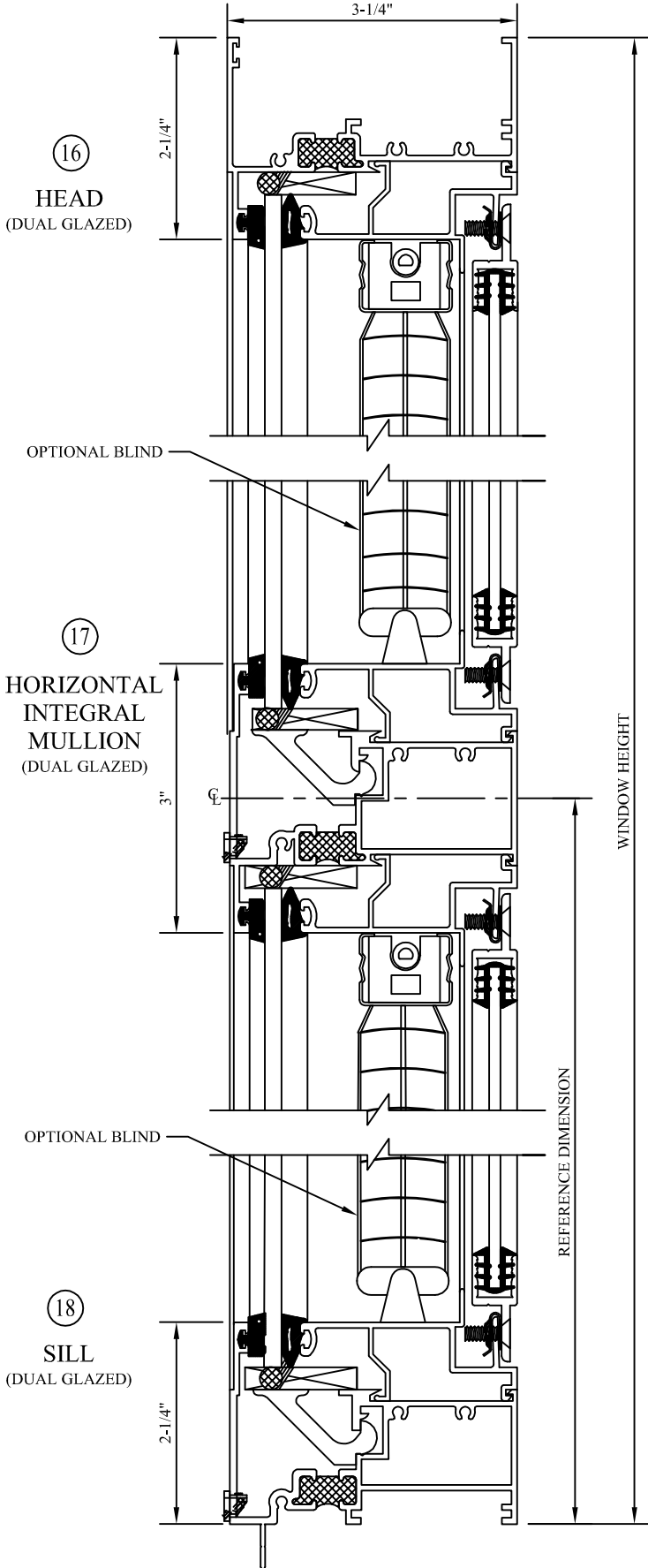
12
JAMB
(EXTERIOR
GLAZED A)



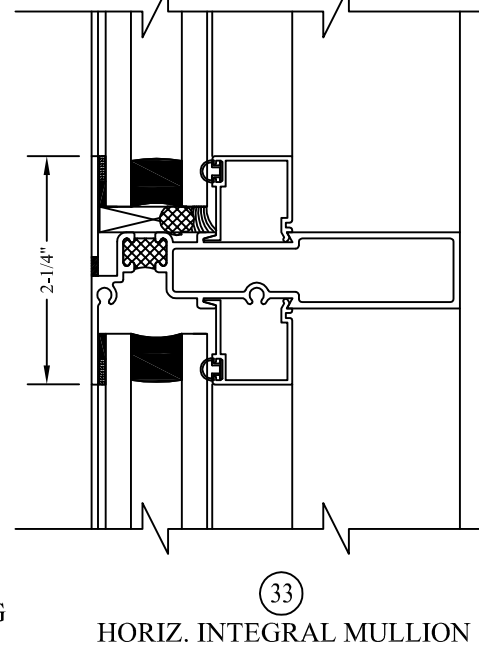
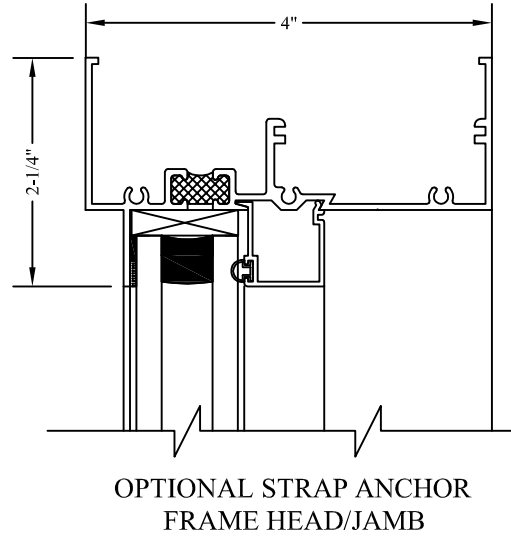
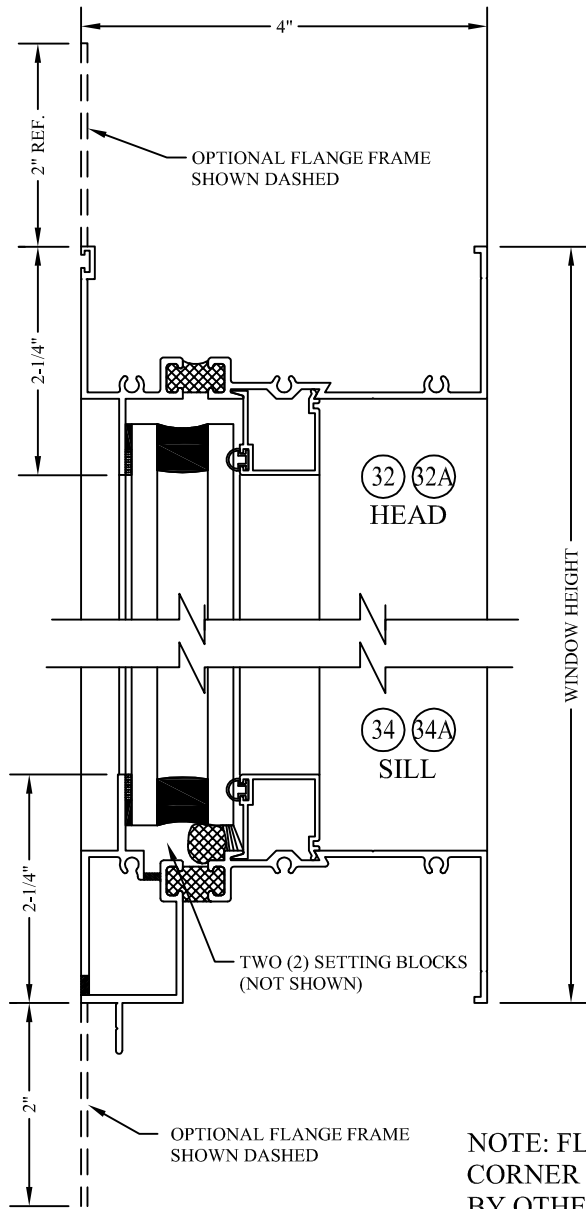
15
JAMB
(FLANGE FRAME)



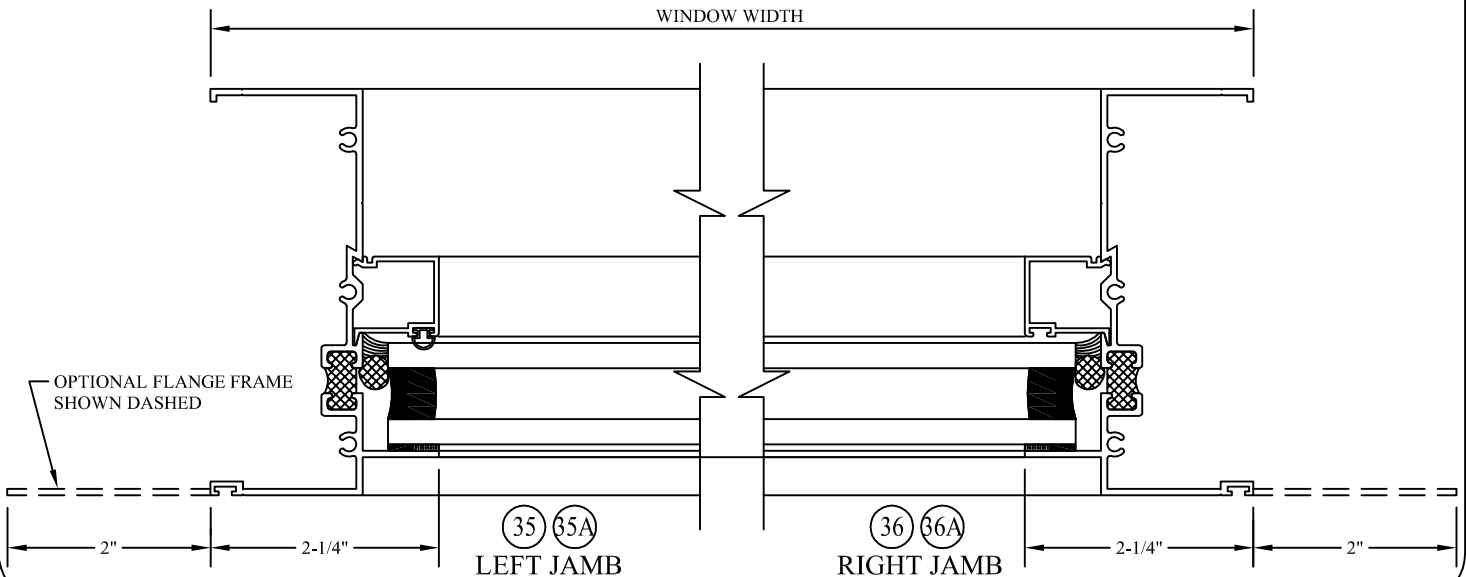
Half Scale Sections



Half Scale Sections

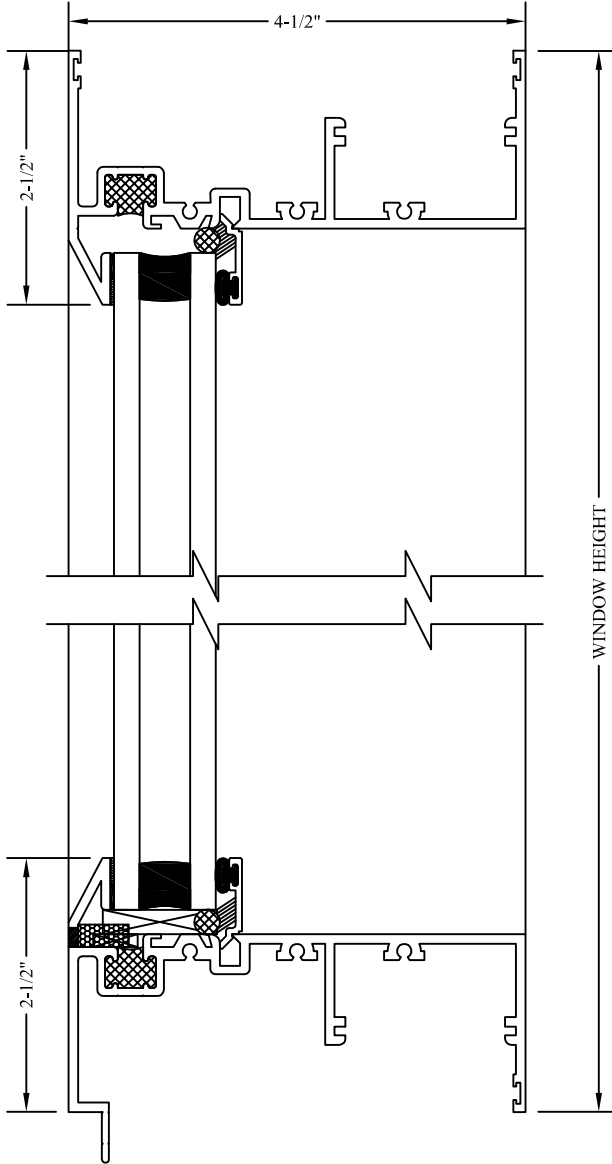


**NOTE: FLANGE FRAME
CORNER BACKSEALING
BY OTHERS**

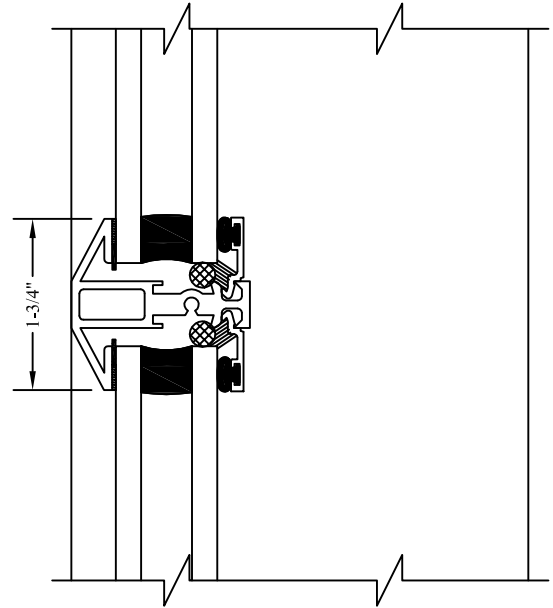
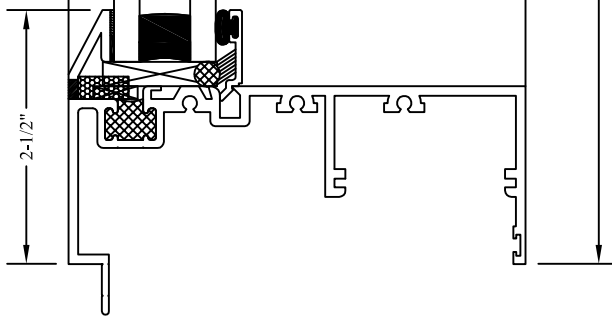


Half Scale Sections

37
HEAD

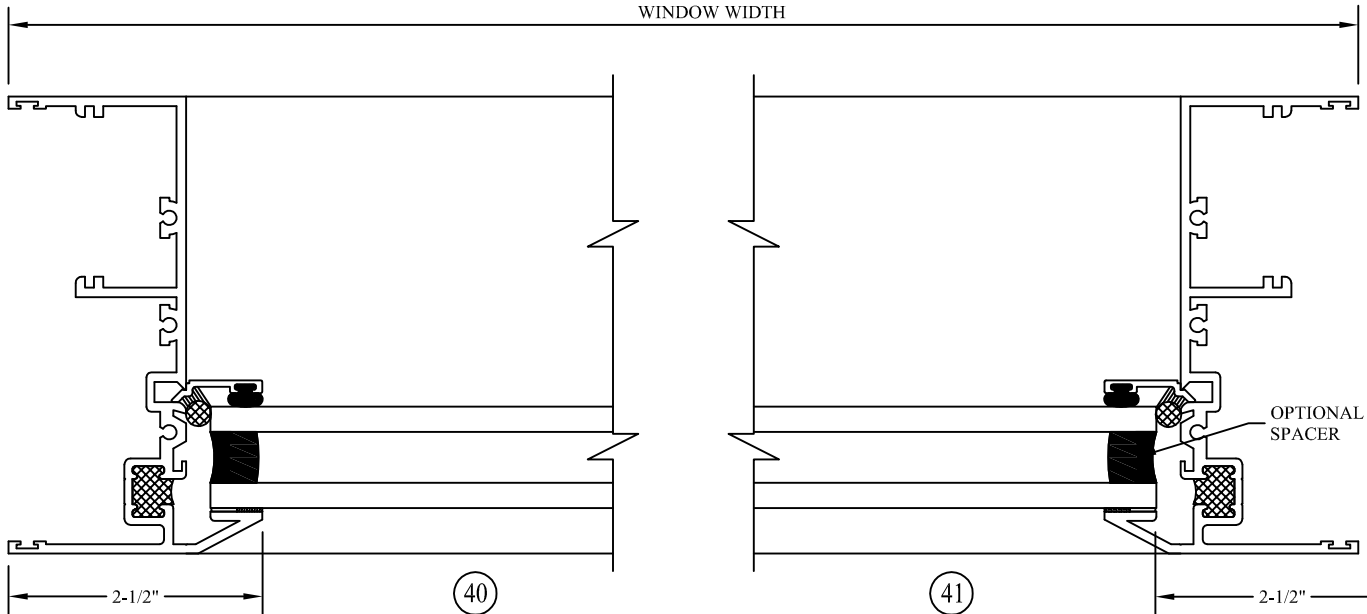


39
SILL



38
OPTIONAL TRUE MUNTIN
(NOT AVAILABLE FOR "AW")

WINDOW WIDTH



40
LEFT JAMB

41
RIGHT JAMB

OPTIONAL METAL SPACER