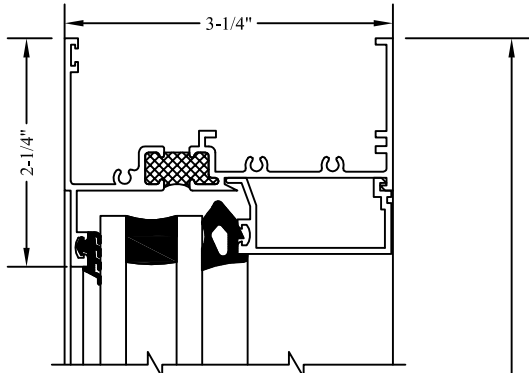
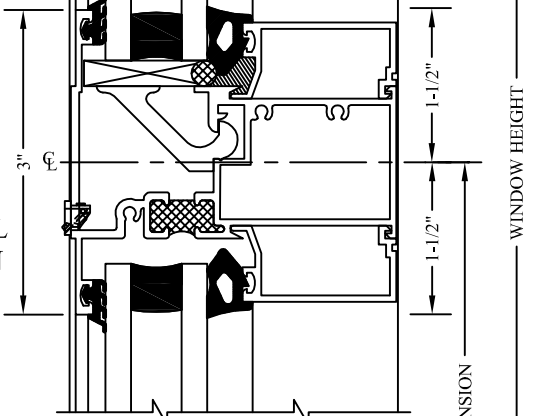


Half Scale Sections

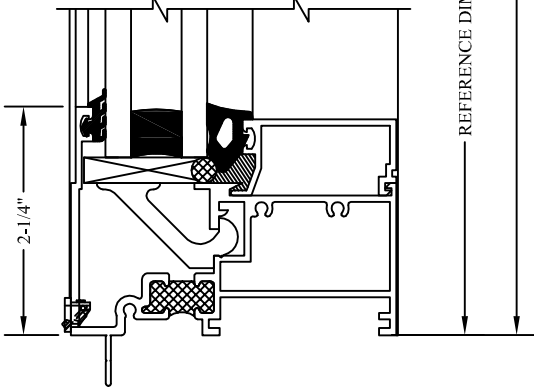
①
HEAD



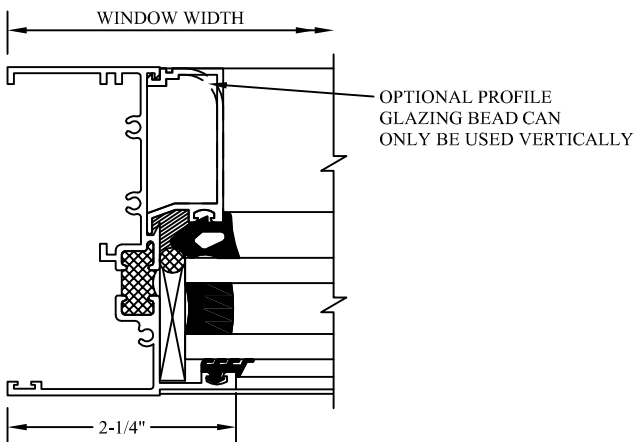
②
HORIZ.
INTEGRAL
MULLION



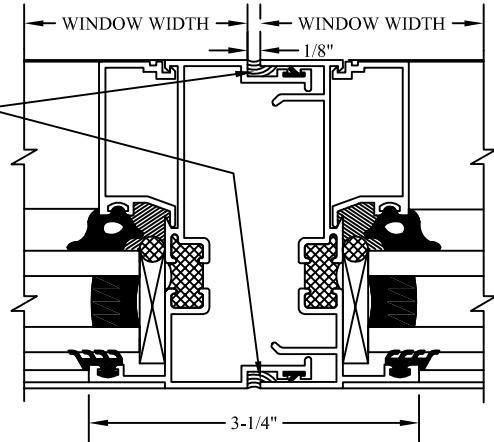
③
SILL



④
JAMB

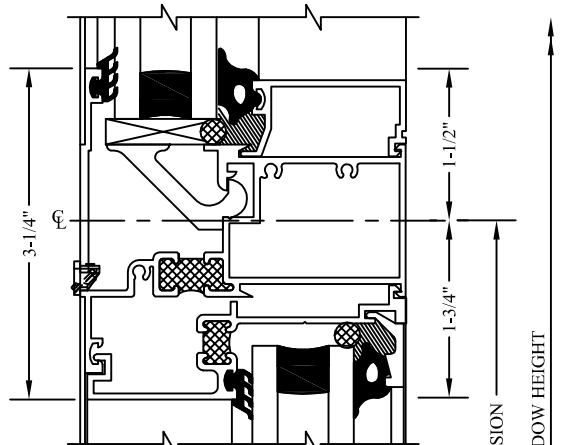


SEALANT
BY OTHERS

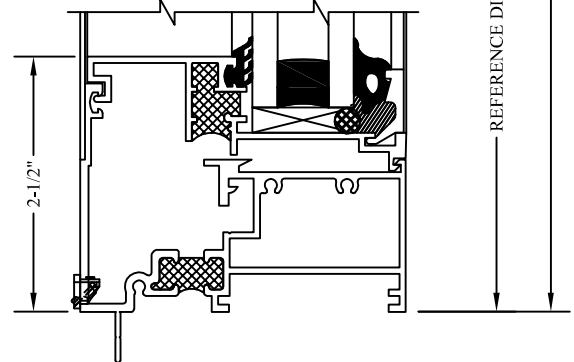


⑤
EXPANSION VERTICAL

⑥
HORIZ.
INTEGRAL
MULLION
(OFFSET)



⑦
SILL
(OFFSET)



⑧
JAMB
(OFFSET)

