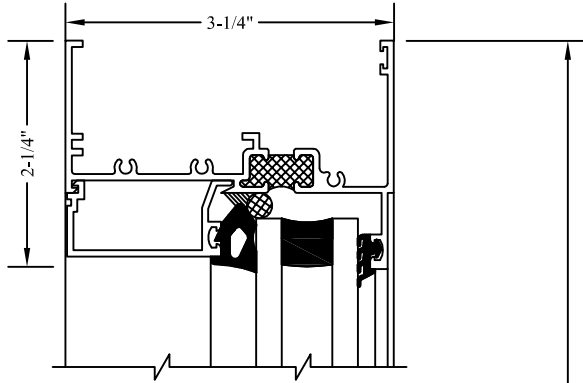
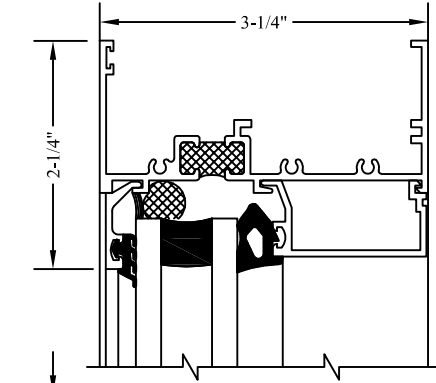


Half Scale Sections

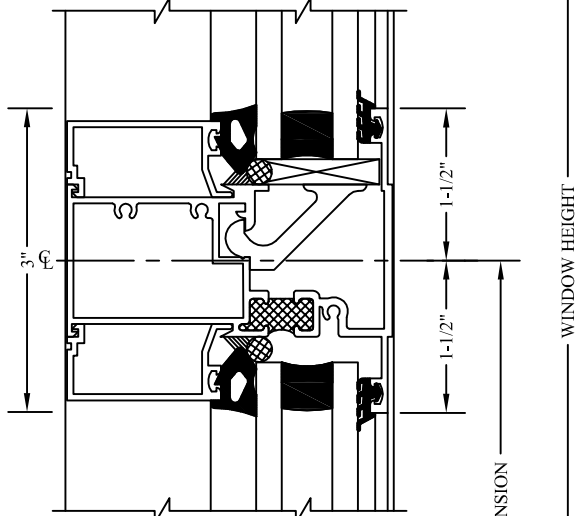
9
HEAD
(EXTERIOR
GLAZED A)



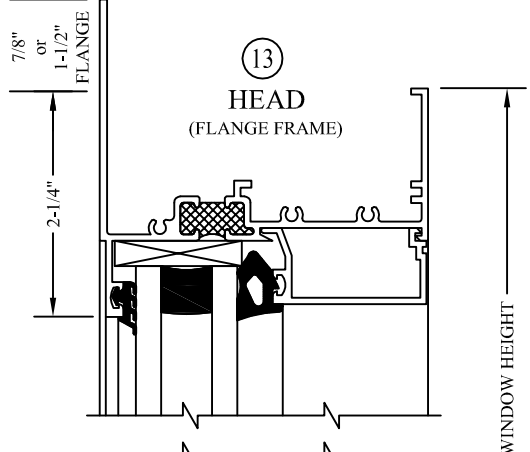
9B
HEAD
(EXTERIOR
GLAZED B)



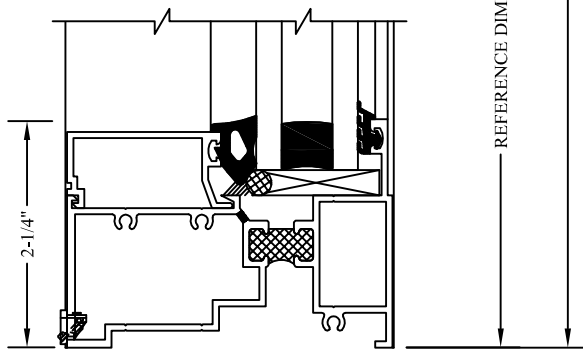
10
**HORIZ.
INTEGRAL
MULLION**
(EXTERIOR
GLAZED A)



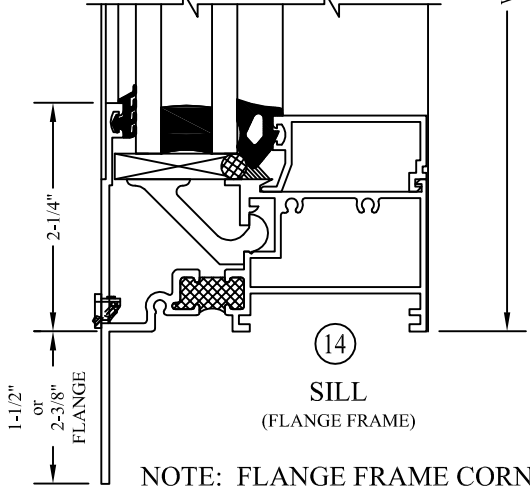
13
HEAD
(FLANGE FRAME)



11
SILL
(EXTERIOR
GLAZED A)

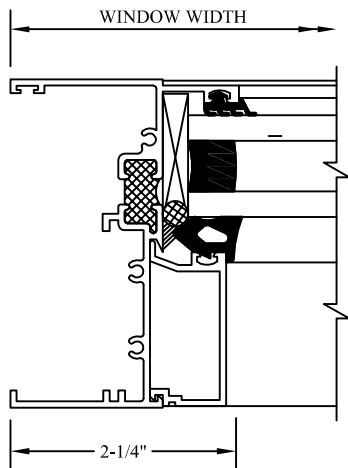


14
SILL
(FLANGE FRAME)



**NOTE: FLANGE FRAME CORNER
BACKSEALING BY OTHERS**

12
JAMB
(EXTERIOR
GLAZED A)



15
JAMB
(FLANGE FRAME)

