

2000T Terrace Door

Experience More Light at New Heights



Glass House, Denver, Colorado
Architect: The Preston Partnership, LLC, Atlanta, Georgia
Glazing Contractor: El Paso Glass – Denver, Inc., Aurora, Colorado
Photo: © C.J.Berg

For a practical barrier against the elements that protects what's inside, frame your view with the elegant interior aesthetics of enhanced 2000T Terrace Doors from Kawneer. Designed for door applications up to 10' tall, 2000T Terrace Doors are precision engineered for durability with quality, high-performance components and are available in various impact resistant options and a wide range of hardware choices and finishes.

Ideal for balcony access directly from living spaces, the versatile 2000T Terrace Doors can be implemented in mid or high-rise designs for mixed-use and commercial buildings such as lofts, condominiums and hotels. Architects and designers will enjoy the door's seamless integration into Kawneer's MetroView™ Window

Wall systems, which creates an effortless, single-source solution for aesthetically pleasing design.

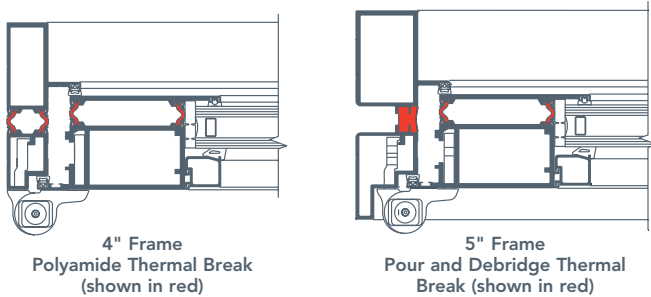
Aesthetics

With levers and finishes that blend into any décor, 2000T Terrace Doors are visually appealing from both the interior and exterior. Contemporary lever handles are available in three finish options: Polished Brass, Brushed Chrome and Rustic Umber. Door rails and stiles are 2-¼" deep for sturdy protection against weather and daily use. With nominal wall thickness at 1/8", the door rails can accommodate infills from 1/4" to 1-1/8".

Available with double or single leaves that can swing in or swing out, 2000T Terrace Doors suit a wide spectrum of space dimensions and design requirements including a shallow Juliet balcony. The design of 2000T Terrace Doors with a 4" depth door frame allows for dual color options, giving owners the flexibility to design around their individual style preferences.

Performance

For higher insulating quality and occupant comfort in all types of weather, 2000T Terrace Doors and frames include a double row of weather seals as well as thermal breaks in the door and frame members. Both the door and 4" depth door frames include a polyamide thermal break consisting of two parallel, glass-reinforced, nylon strips, while the 5" depth door frame utilizes a pour and debridge thermal break to improve performance.



In addition to exceptional thermal efficiency, Kawneer 2000T Terrace Doors are enhanced with performance and security features such as heavy-duty internal corner clips and advanced stainless steel multipoint latch locks. The multipoint locking system includes a latch lock and deadbolt complete with swing hook and shoot bolt (on pairs) for added security as well as a strong weather seal. And, an optional two-step functionality for unlocking can be specified for the multipoint locking system. Aluminum three-way hinges can adjust in and out, up and down, and left to right to improve alignment between the door leaf and frame without removal.

2000T Terrace Doors have been tested in accordance with:

- AAMA/WDMA/CSA 101/I.S.2/A440 and NAFS
- AAMA 1503 for Thermal Transmittance and Condensation Resistance
- NFRC 100 and CAN/CSA A440

The 2000T Terrace Door can provide protection from wind-borne debris in certain configurations. For more information on impact resistant capabilities, contact your Kawneer sales representative.

Application Options

With flexible design options, the 2000T Terrace Door offers solutions for a wide variety of application and configuration needs:

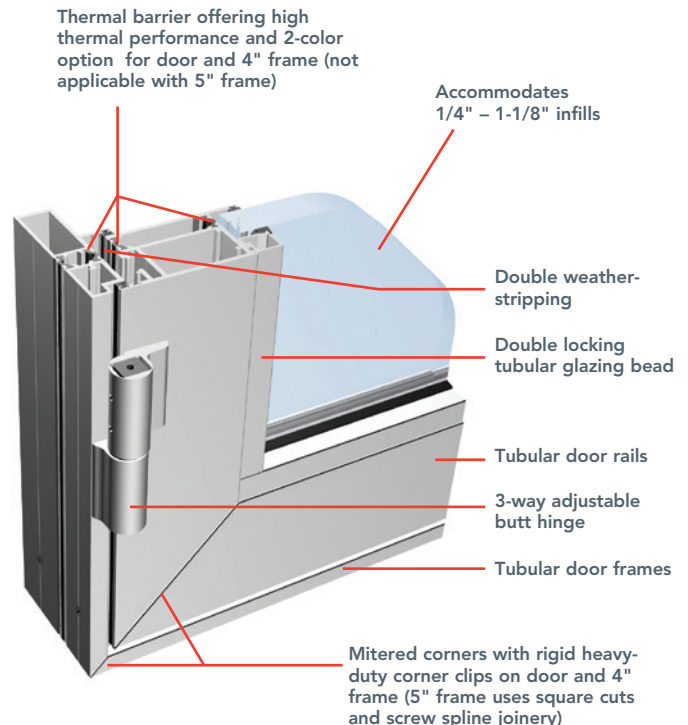
- 1" x 4" (25.4mm x 101.6mm) mitered door frame for installation in punched openings or as a subframe within other Kawneer framing or curtain wall systems
- 1-1/2" x 5" (38.1mm x 127mm) door frame integrates into MetroView™ Window Wall or can be installed as a subframe within other Kawneer framing or curtain wall systems
- Low-profile threshold for outswing single doors and double doors
- 10" (254mm) stacked bottom rail
- Standard locking meets egress requirements
- Optional two-step unlocking function can be specified
- Door with 4" (101.6mm) door frame has been tested to small and large missile impact requirements

The Finishing Touch

Architectural Class I anodized aluminum finishes are available in clear and Permanodic™ colors.

Painted finishes, including fluoropolymer, that meet AAMA 2605 are available in several standard shades and an unlimited number of specially designed colors.

Solvent-free powder coatings are environmentally sustainable with high performance, durability and scratch resistance that meet AAMA 2604 standards.



Kawneer Company, Inc.
Technology Park / Atlanta
555 Guthridge Court
Norcross, GA 30092

kawneer.com
770 . 449 . 5555

KAWNEER
AN ARCONIC COMPANY

