



SINGLE-SOURCE HURRICANE RESISTANT SOLUTIONS & MORE

IR 500/501/501T/501UT
FRAMING SYSTEMS AND
350/500 IR ENTRANCES

Kawneer provides a single-source solution to the growing need for hurricane resistant products in Eastern and Gulf Coast states from New York through Texas.

IR 500/501 Framing Systems and 350/500 IR Entrances are large missile impact resistant, fully tested and easy to fabricate and install. In addition, IR 501T and IR 501UT Framing provides improved thermal performance to increase energy efficiency by employing IsoLock™ thermal breaks.

Our hurricane resistant framing systems are designed and engineered for single-span storefronts, low- to mid-rise ribbon window and punched opening applications.

Building: Cancer Center of Sacred Heart Hospital

Location: Pensacola, Florida

Architect: Caldwell Associates Architects

Customer: Merritt Glass Co., Inc.

Photography: © CJ Berg

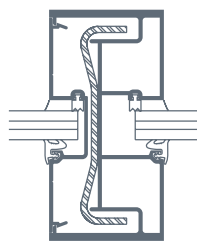
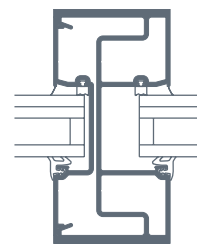
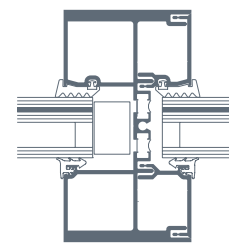
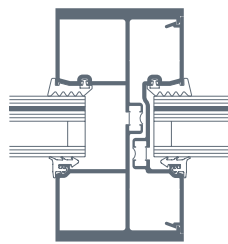
TESTING

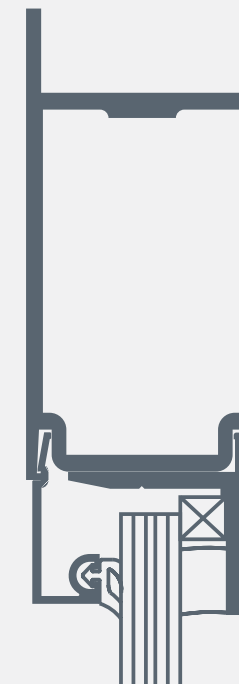
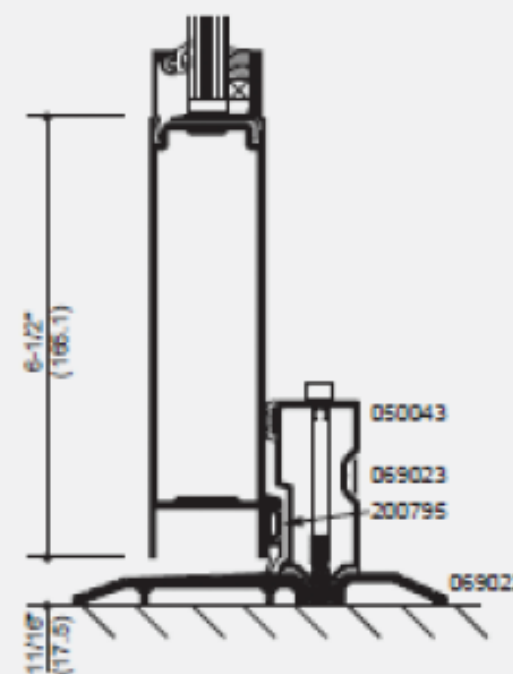
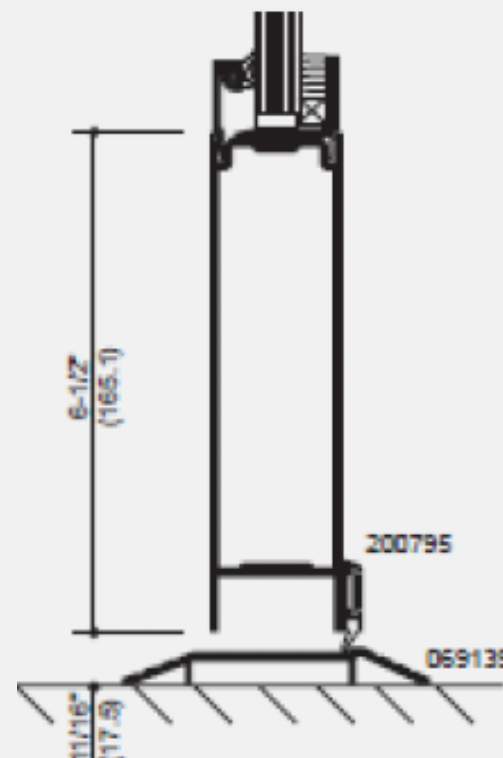
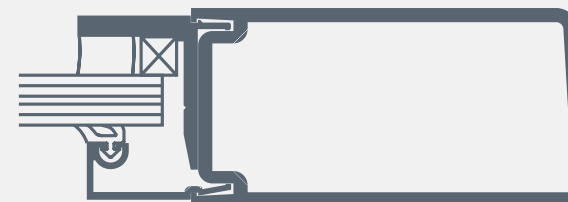
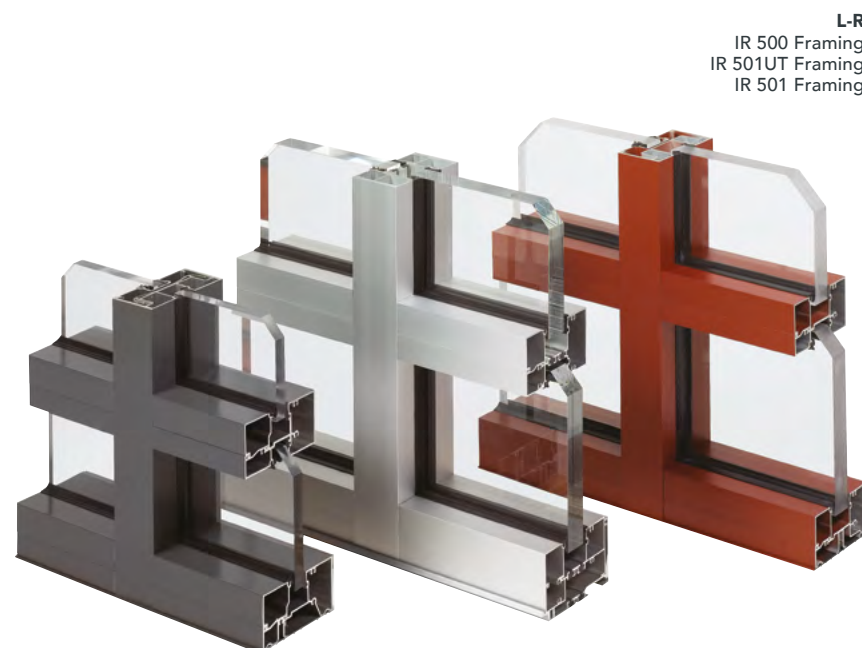
IR 500/501/501T/501 Framing Systems are tested to high velocity hurricane zone requirements of the International Building Code and Florida building code, which meet ASTM E1886 and TAS 201 and TAS 203 for impact and cycle pressure differentials. Additionally, all of our systems have been tested to ASTM E331, ASTM E283 and ASTM E330 for air, water and structural performance.

For thermal and acoustical performance, IR 501T/IR 501UT have been tested to AAMA 1503, AAMA 1801 and ASTM E1425.

FABRICATION

All IR 500/501/501T/501UT Framing Systems offer a flush glazed look with either interior structural silicone seal (wet glazed) or optional EPDM gasket (dry glazed) for large missile applications. Screw spline fabrication provides the option to pre-assemble units with controlled shop labor costs and smaller field crews. The framing systems are center glazed from the exterior side and are designed to accept 350/500 IR Entrances.

	IR 500	IR 501	IR 501T/IR 501UT	IR 501T/IR 501UT
Typical Detail			 3-Piece Mullion	 2-Piece Mullion
Sightline	2-1/2" (63.5 mm)	2-1/2" (63.5 mm)	2-3/4" (69.85 mm)	2-3/4" (69.85 mm)
System Depth	5" (127 mm)	5" (127 mm)	5" (127 mm)	5" (127 mm)
Infill Options	9/16", 5/8" (Impact), 1/4" (Non-Impact)	1-5/16" (Impact), 1" (Non-Impact)	1-5/16" (Impact)	1-5/16" (Impact)
Thermal	No	No	IsoLock™ Thermal Breaks	IsoLock™ Thermal Breaks
Hurricane Resistant Tested	Large Missile	Small Missile Large Missile	Small Missile Large Missile	Small Missile Large Missile



350/500 IR ENTRANCES

Entrances are 1-3/4" (44.45 mm) deep and provide the extra strength for applications where more stringent code requirements call for windborne debris protection.

TESTING

350/500 IR Entrances are tested to the High Velocity Hurricane Zone requirements of the International Building Code and Florida Building Code. Meeting ASTM E1886, and TAS 201 and TAS 203 for impact and cycle pressure differentials and TAS 202 for Water Performance.

FEATURES

350 IR Entrances feature standard 3-1/2" (88.9 mm) vertical stiles, 3-1/2" (88.9 mm) top rails and 6-1/2" (165.1 mm) bottom rails. 500 IR Entrances feature standard 5" (127 mm) vertical stiles, 5" (127 mm) top rails and 6-1/2" (165.1 mm) bottom rails. Bottom rail options are 7-1/2" (190.5 mm) and 10" (254 mm) for aesthetics or applications where higher bottom rails are required to meet local building codes. 350/500 IR Entrances are single acting and available in singles or pairs to suit any project. The entrances feature the proven dual moment welded corner construction with 16 welds per door and Kawneer's limited lifetime warranty.

Standard hinging hardware includes top, bottom and intermediate offset pivots, 1-1/2" pair of butt hinges or continuous geared hinges. Standard MS 1850 three-point locks are available as well as concealed vertical rod exit device hardware options.

Water Performance option available in accordance to ASTM E331 and TAS 202 test standards.

Entrances accommodate 1/4", 7/16" and 9/16" impact resistant glazing infills using square glass stops with an interior silicone seal. Additional glazing options include 3M VHB Structural Glazing Tape and dry/dry glazing gaskets. Pairs include an adjustable astragal, utilizing pile weathering with a polymeric fin at the meeting stiles, and all doors include an EPDM blade gasket at the threshold. Polymeric bulb weather-stripping is used in the door frames.

Standard door jambs, transom bars and headers from the IR 500/501/501T/501UT Framing Systems are designed for use with 350/500 IR Entrances. Optional door frames include Trifab™ VersaGlaze™ 450 center glazed, Trifab™ VersaGlaze™ 451 center glazed, and 1600 Wall System™ subframes.



Building: Tarpon Springs Public Safety Building
Location: Tarpon Springs, Florida
Architect: Gee & Jenson, Engineers, Architects, Planners, Inc.,
West Palm Beach, Florida
Glazing Contractor: Ashe Glass & Mirror, Temple Terrace, Florida
Photography: © Gordon Schenck, Jr.

©Kawneer Company, Inc. 2021
Form Number 17-2261.C

Trifab™, VersaGlaze™, IsoLock™ and 1600 Wall
System™ are trademarks of Kawneer Company, Inc.

Technology Park/ Atlanta
555 Guthridge Court
Norcross, GA 3009-3503

770.449.555 TEL
770.734.1560 FAX

www.kawneer.com