

Features

- MetroView® FG 601T PG Window Wall is an inside glazed system
- 2-1/4" (57.2) sightline with standard 6" (152.4) system depth
- IsoLock® lanced pour and debridged 3/8" (9.5) thermal break
- Screw spline fabrication and joinery
- Standard infill option 1" (25.4) wet glazed and 1-3/16" (30.2) tape glazed
- Silicone compatible glazing materials for long lasting seals
- Inside and outside corner members are available for 90° and 135° applications
- Permanodic® anodized finishes option
- Painted finishes in standard and custom choices

Optional Features

- Integrates with Kawneer GLASSvent® UT Windows and 2000T Terrace Doors
- Balcony door options
- Strap anchors
- Optional slab edge covers (Extruded / ACM panel) spandrel glass
- Optional flush receptor with spandrel glass / ACM panel
- Head receptor reinforcing clip
- Wedge gasket at interior head receptor stop
- Profit\$Maker® Plus die sets
- Seismic performance tested to AAMA 501.4 and AAMA 501.6 standards
- Vertical Inter-story Movement tested to AAMA 501.7 standards

Product Applications

- Pre-glazed ribbon windows
- Ideal for single and multi-lite punched openings

For specific product applications,
consult your Kawneer representative.

Laws and building and safety codes governing the design and use of Kawneer products, such as glazed entrance, window, and curtain wall products, vary widely. Kawneer does not control the selection of product configurations, operating hardware, or glazing materials, and assumes no responsibility therefor.

Kawneer reserves the right to change configuration without prior notice when deemed necessary for product improvement.
© 2017, Kawneer Company, Inc.

Architects – Most extrusion and window types illustrated in this catalog are standard products for Kawneer. These concepts have been expanded and modified to afford you design freedom. Some miscellaneous details are non-standard and are intended to demonstrate how the system can be modified to expand design flexibility. Please contact your Kawneer representative for further assistance.

PICTORIAL VIEW4

FRAMING DETAILS 5-8

SLAB EDGE COVER DETAILS9, 10

2000T TERRACE DOOR DETAILS11-14

CORNER DETAILS15, 16

GLASSvent® UT WINDOW DETAILS17

MISCELLANEOUS DETAILS18

WIND LOAD/DEADLOAD CHARTS 19-21

THERMAL CHARTS 22-35

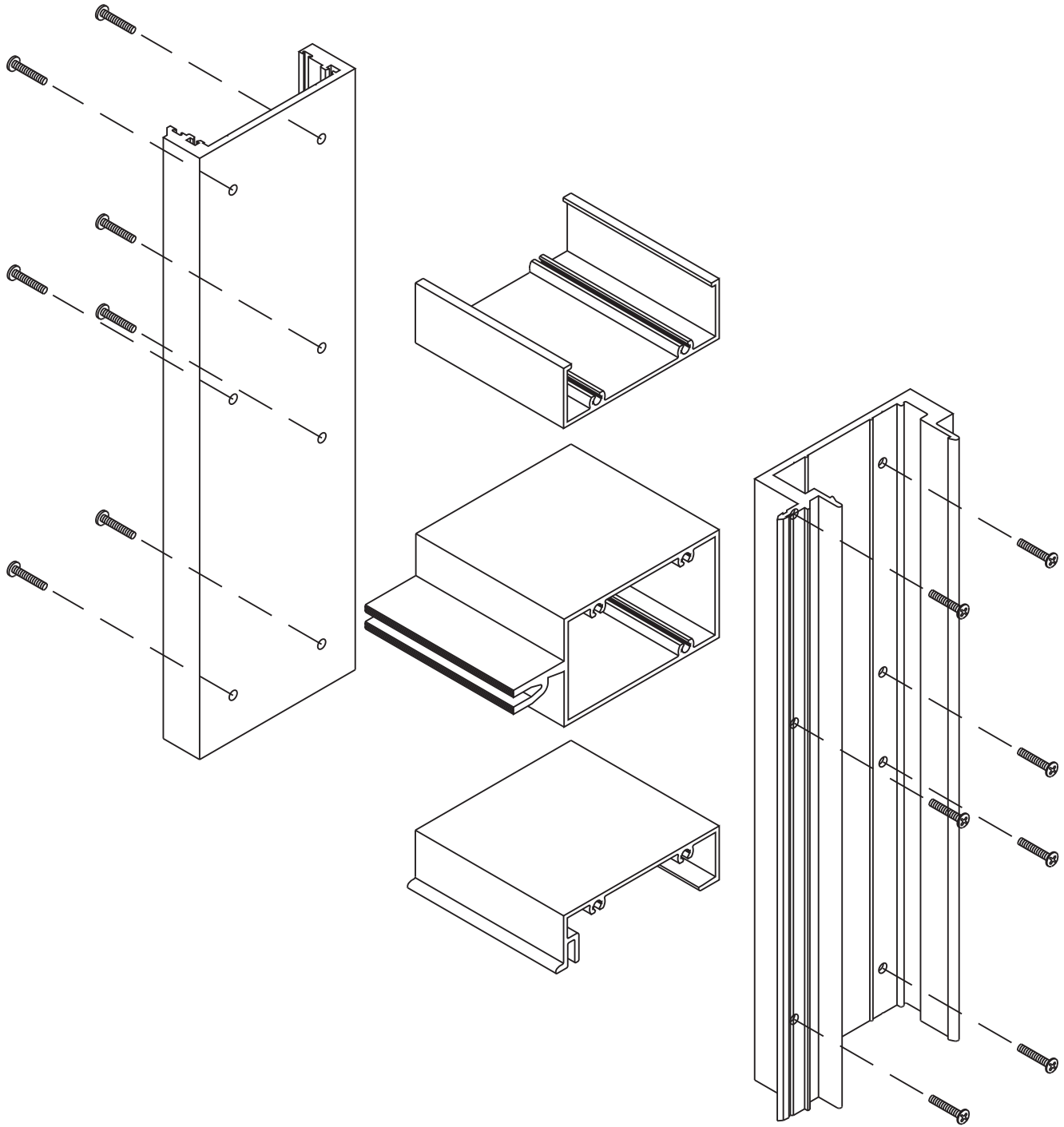
Metric (SI) conversion figures are included throughout these details for reference. Numbers in parentheses () are millimeters unless otherwise noted.

The following metric (SI) units are found in these details:

- m – meter
- cm – centimeter
- mm – millimeter
- s – second
- Pa – pascal
- MPa – megapascal

Laws and building and safety codes governing the design and use of Kawneer products, such as glazed entrance, window, and curtain wall products, vary widely. Kawneer does not control the selection of product configurations, operating hardware, or glazing materials, and assumes no responsibility therefor.

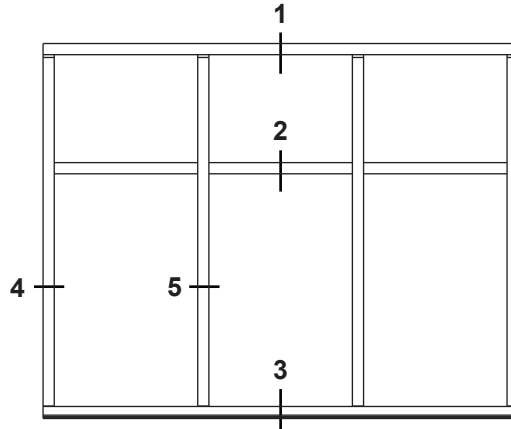
Kawneer reserves the right to change configuration without prior notice when deemed necessary for product improvement.
© 2017, Kawneer Company, Inc.



Laws and building and safety codes governing the design and use of Kawneer products, such as glazed entrance, window, and curtain wall products, vary widely. Kawneer does not control the selection of product configurations, operating hardware, or glazing materials, and assumes no responsibility therefor.

Kawneer reserves the right to change configuration without prior notice when deemed necessary for product improvement.
© 2017, Kawneer Company, Inc.

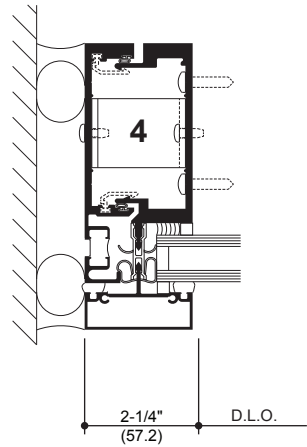
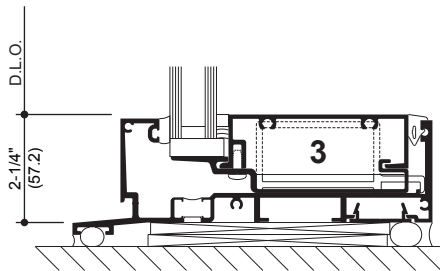
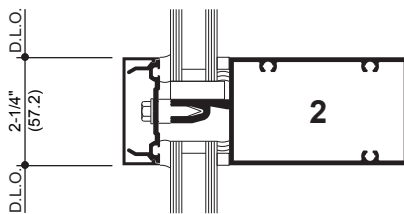
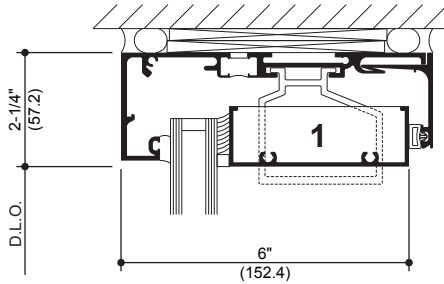
Additional information and CAD details are available at www.kawneer.com



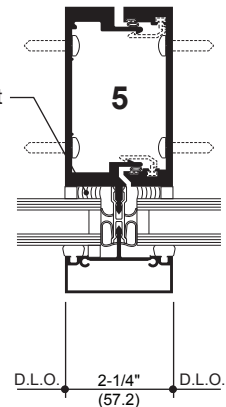
1" (25.4) INFILL
WET GLAZED

ELEVATION IS NUMBER KEYED TO DETAILS

STANDARD RECEPTOR (INTERIOR INSTALLED)



Structural Silicone Sealant
(by Others)*

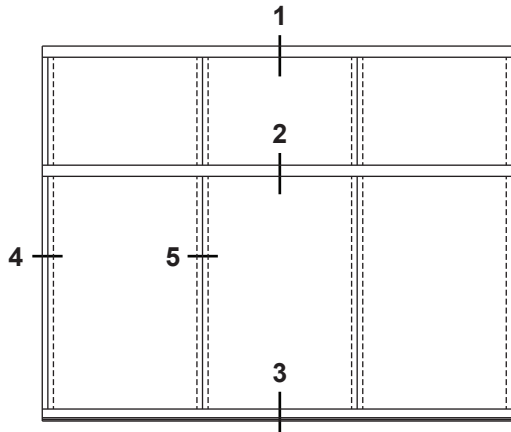


* **INSTALLER NOTE:** Installer is responsible for all required compatibility review and approvals with the Structural Silicone Manufacturer and the Insulating Glass Unit Manufacturer.

Laws and building and safety codes governing the design and use of Kawneer products, such as glazed entrance, window, and curtain wall products, vary widely. Kawneer does not control the selection of product configurations, operating hardware, or glazing materials, and assumes no responsibility therefor.

Kawneer reserves the right to change configuration without prior notice when deemed necessary for product improvement.
© 2017, Kawneer Company, Inc.

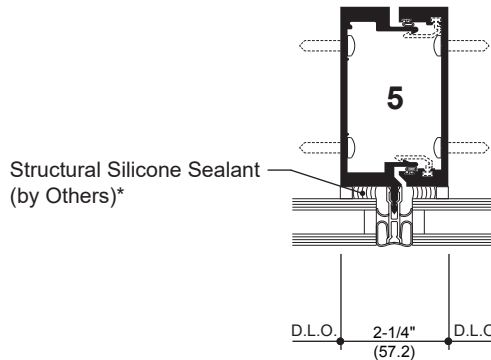
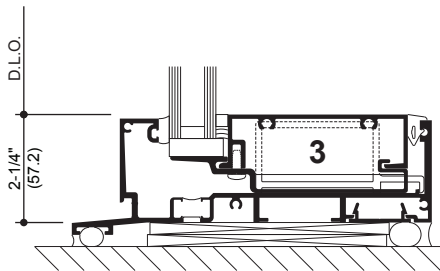
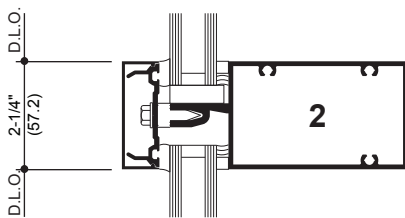
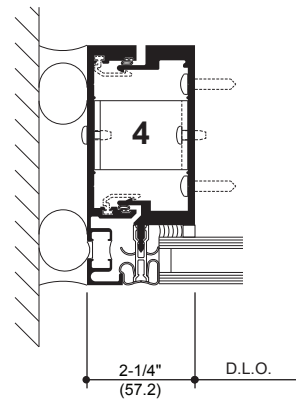
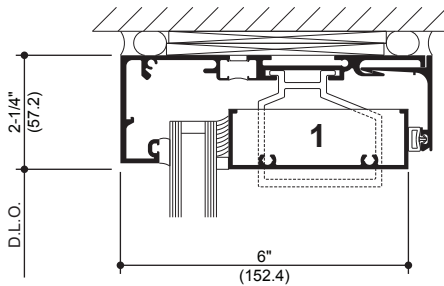
Additional information and CAD details are available at www.kawneer.com



1" (25.4) INFILL SSG DETAILS

ELEVATION IS NUMBER KEYED TO DETAILS

STANDARD RECEPTOR (INTERIOR INSTALLED)

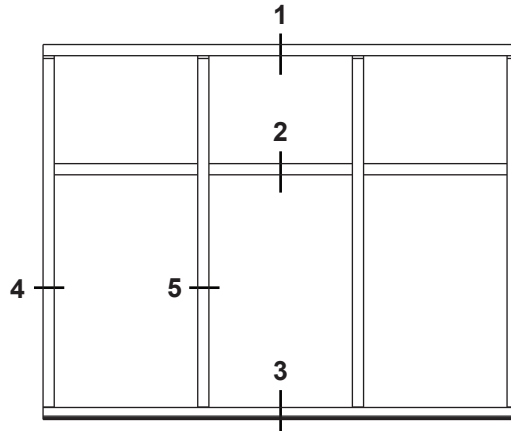


* INSTALLER NOTE: Installer is responsible for all required compatibility review and approvals with the Structural Silicone Manufacturer and the Insulating Glass Unit Manufacturer.

Laws and building and safety codes governing the design and use of Kawneer products, such as glazed entrance, window, and curtain wall products, vary widely. Kawneer does not control the selection of product configurations, operating hardware, or glazing materials, and assumes no responsibility therefor.

Kawneer reserves the right to change configuration without prior notice when deemed necessary for product improvement.
© 2017, Kawneer Company, Inc.

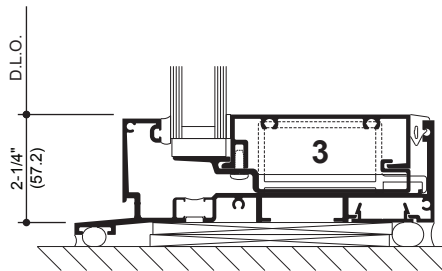
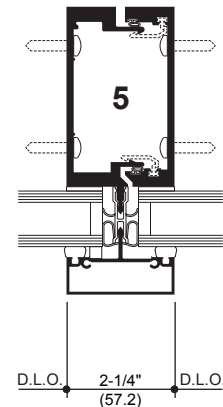
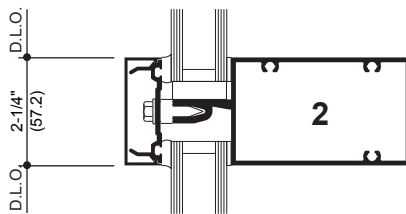
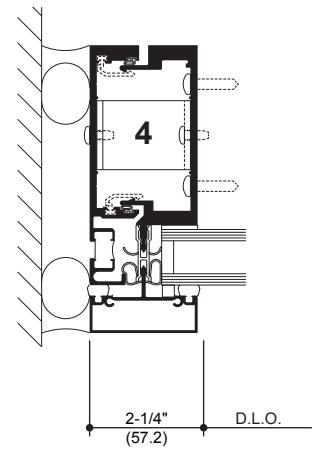
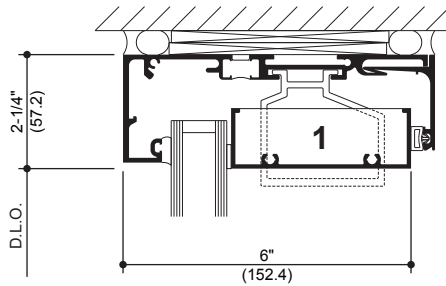
Additional information and CAD details are available at www.kawneer.com



1-3/16" (30.2) INFILL TAPE GLAZED

ELEVATION IS NUMBER KEYED TO DETAILS

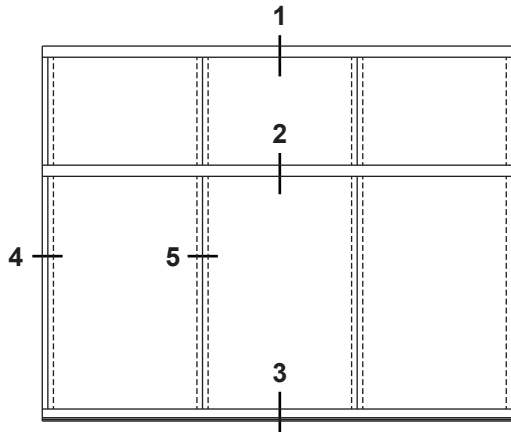
STANDARD RECEPTOR (INTERIOR INSTALLED)



Laws and building and safety codes governing the design and use of Kawneer products, such as glazed entrance, window, and curtain wall products, vary widely. Kawneer does not control the selection of product configurations, operating hardware, or glazing materials, and assumes no responsibility therefor.

Kawneer reserves the right to change configuration without prior notice when deemed necessary for product improvement.
© 2017, Kawneer Company, Inc.

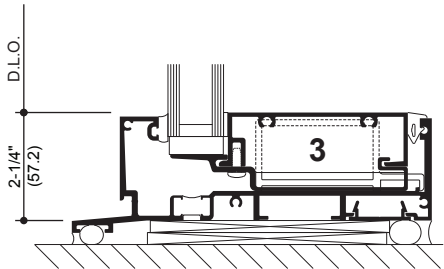
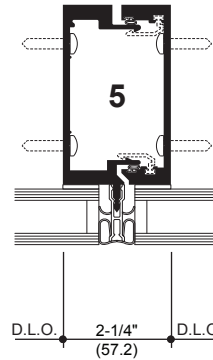
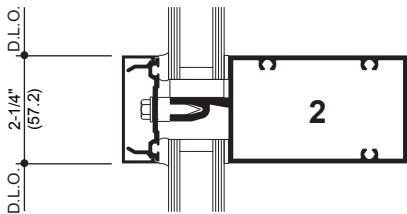
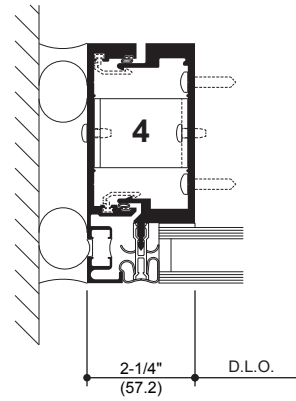
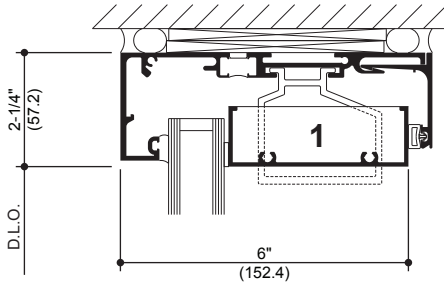
Additional information and CAD details are available at www.kawneer.com



1-3/16" (30.2) INFILL SSG DETAILS

ELEVATION IS NUMBER KEYED TO DETAILS

STANDARD RECEPTOR (INTERIOR INSTALLED)

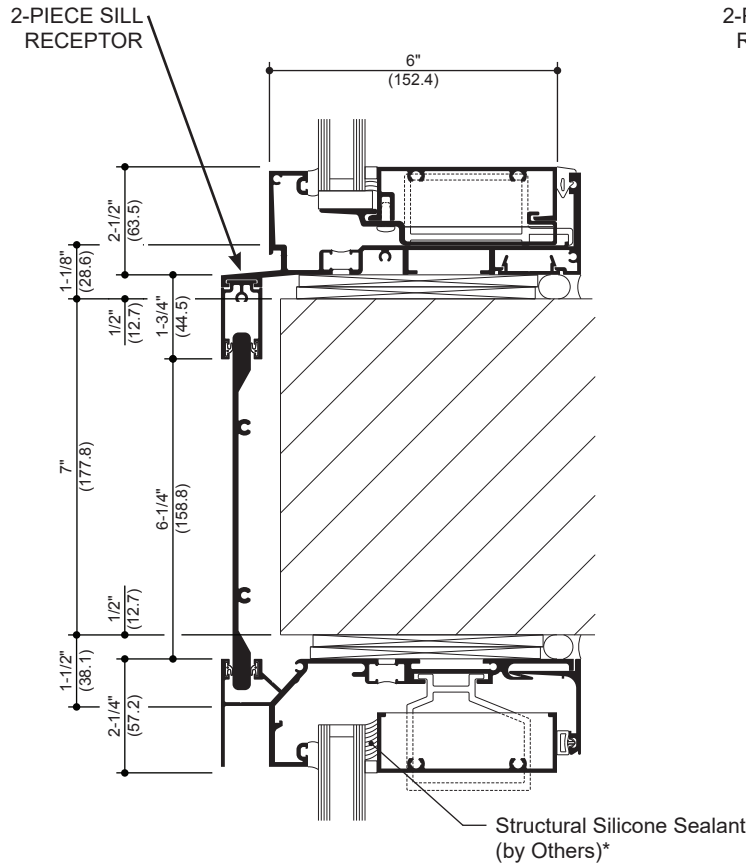


Laws and building and safety codes governing the design and use of Kawneer products, such as glazed entrance, window, and curtain wall products, vary widely. Kawneer does not control the selection of product configurations, operating hardware, or glazing materials, and assumes no responsibility therefor.

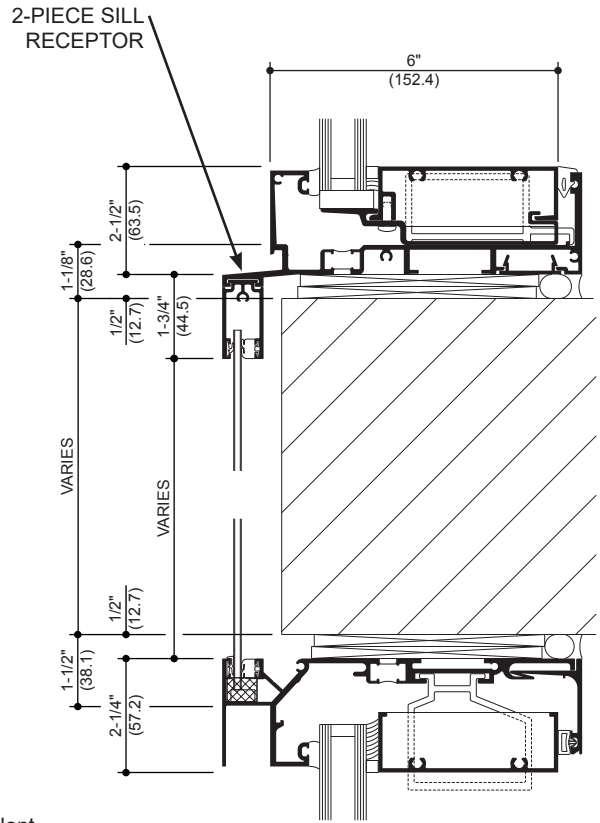
Kawneer reserves the right to change configuration without prior notice when deemed necessary for product improvement.
© 2017, Kawneer Company, Inc.

Additional information and CAD details are available at www.kawneer.com

STANDARD RECEPTOR SLAB EDGE COVERS (1" (25.4) INFILL SHOWN, 1-3/16" (30.2) SIMILAR)



**STANDARD RECEPTOR
WITH 7" (177.8) SLAB COVER
INTERIOR INSTALLED
(8" (203.2) SLAB COVER SIMILAR)**



**VARIABLE SLAB EGDE COVER
STANDARD RECEPTOR WITH ACM
PANEL OR SPANDREL GLASS
INTERIOR INSTALLED**

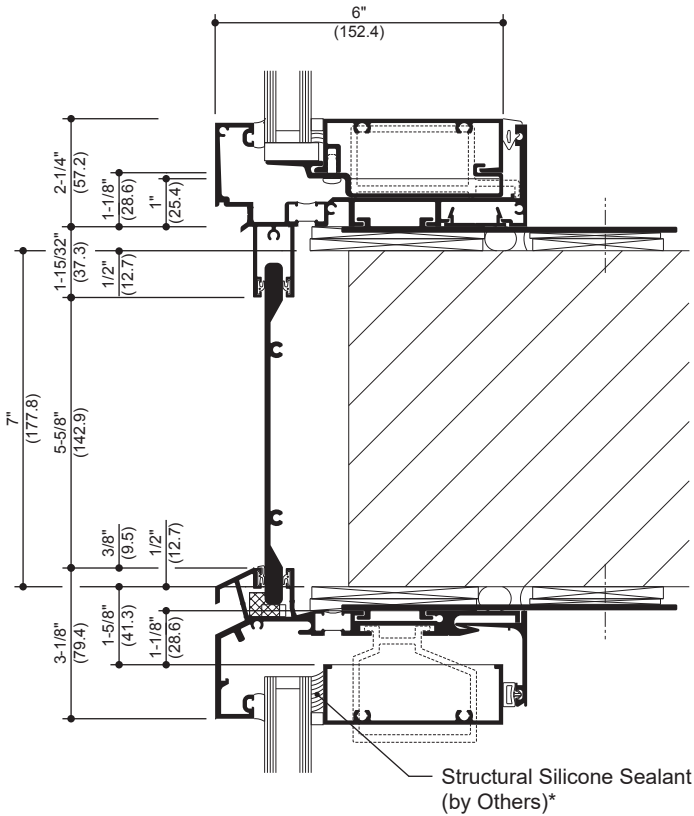
Laws and building and safety codes governing the design and use of Kawneer products, such as glazed entrance, window, and curtain wall products, vary widely. Kawneer does not control the selection of product configurations, operating hardware, or glazing materials, and assumes no responsibility therefor.

Kawneer reserves the right to change configuration without prior notice when deemed necessary for product improvement.
© 2017, Kawneer Company, Inc.

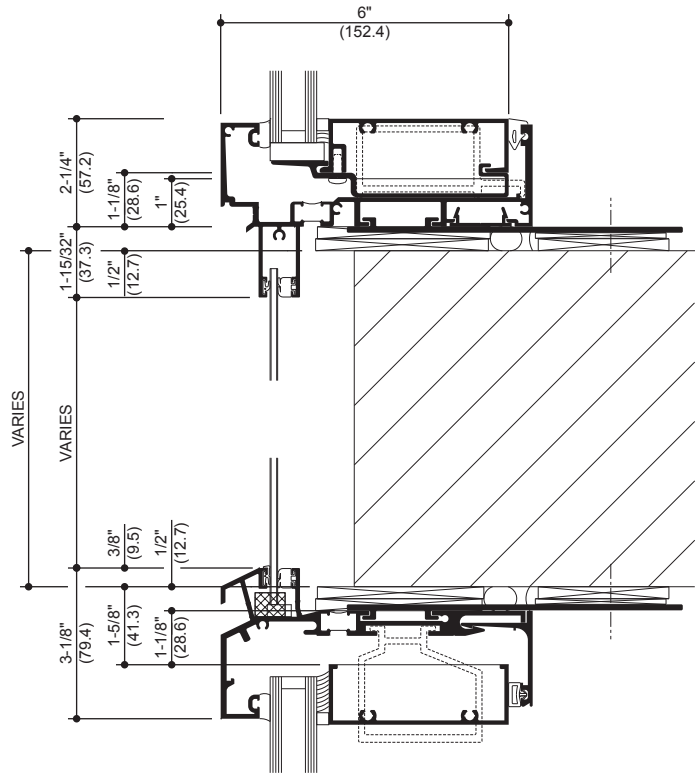
* **INSTALLER NOTE:** Installer is responsible for all required compatibility review and approvals with the Structural Silicone Manufacturer and the Insulating Glass Unit Manufacturer.

Additional information and CAD details are available at www.kawneer.com

FLUSH RECEPTOR SLAB EDGE COVERS
(1" (25.4) INFILL SHOWN, 1-3/16" (30.2) SIMILAR)



FLUSH RECEPTOR WITH 7" (177.8) SLAB COVER INTERIOR INSTALLED (8" (203.2) SLAB COVER SIMILAR)



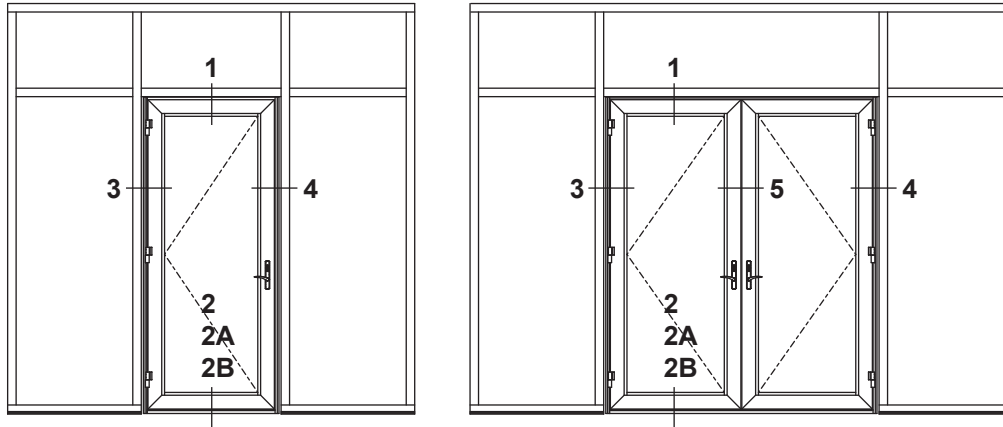
VARIABLE SLAB EDGE COVER STANDARD RECEPTOR WITH ACM PANEL OR SPANDREL GLASS INTERIOR INSTALLED

Laws and building and safety codes governing the design and use of Kawneer products, such as glazed entrance, window, and curtain wall products, vary widely. Kawneer does not control the selection of product configurations, operating hardware, or glazing materials, and assumes no responsibility therefor.

Kawneer reserves the right to change configuration without prior notice when deemed necessary for product improvement.
 © 2017, Kawneer Company, Inc.

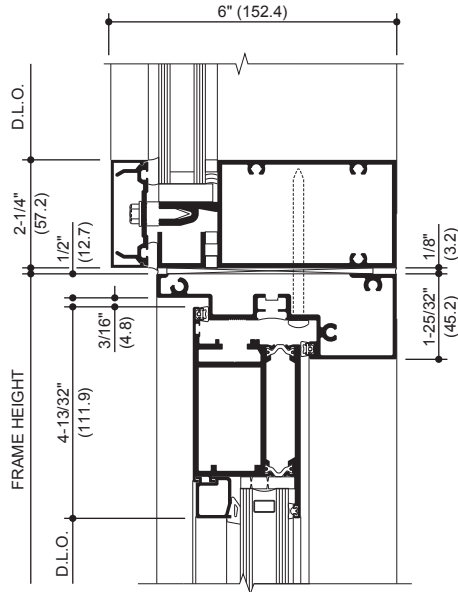
* INSTALLER NOTE: Installer is responsible for all required compatibility review and approvals with the Structural Silicone Manufacturer and the Insulating Glass Unit Manufacturer.

Additional information and CAD details are available at www.kawneer.com

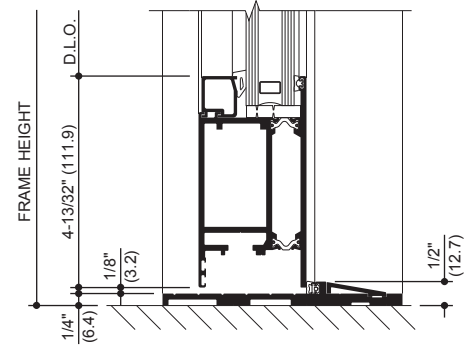


OUTSWING DOORS & FRAME

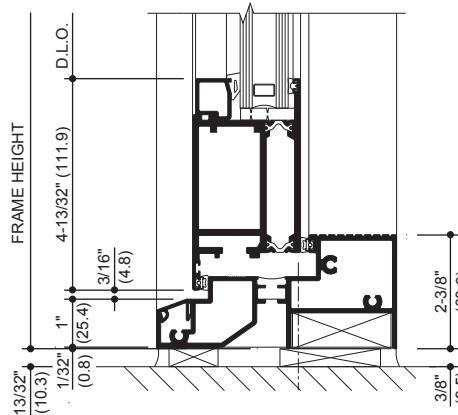
1 HEAD



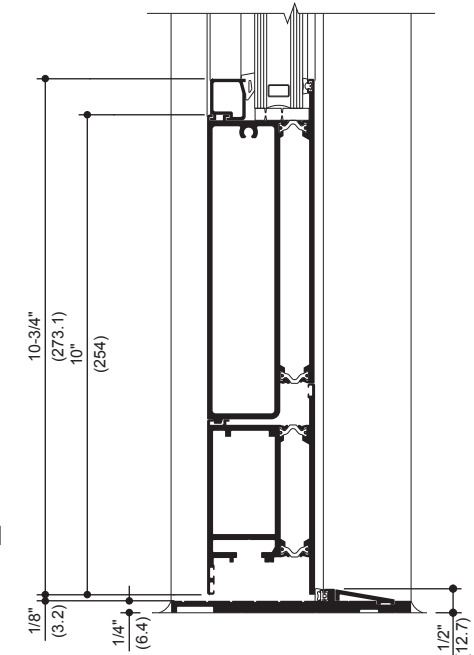
2A OPTIONAL LOW PROFILE THRESHOLD



2 THRESHOLD



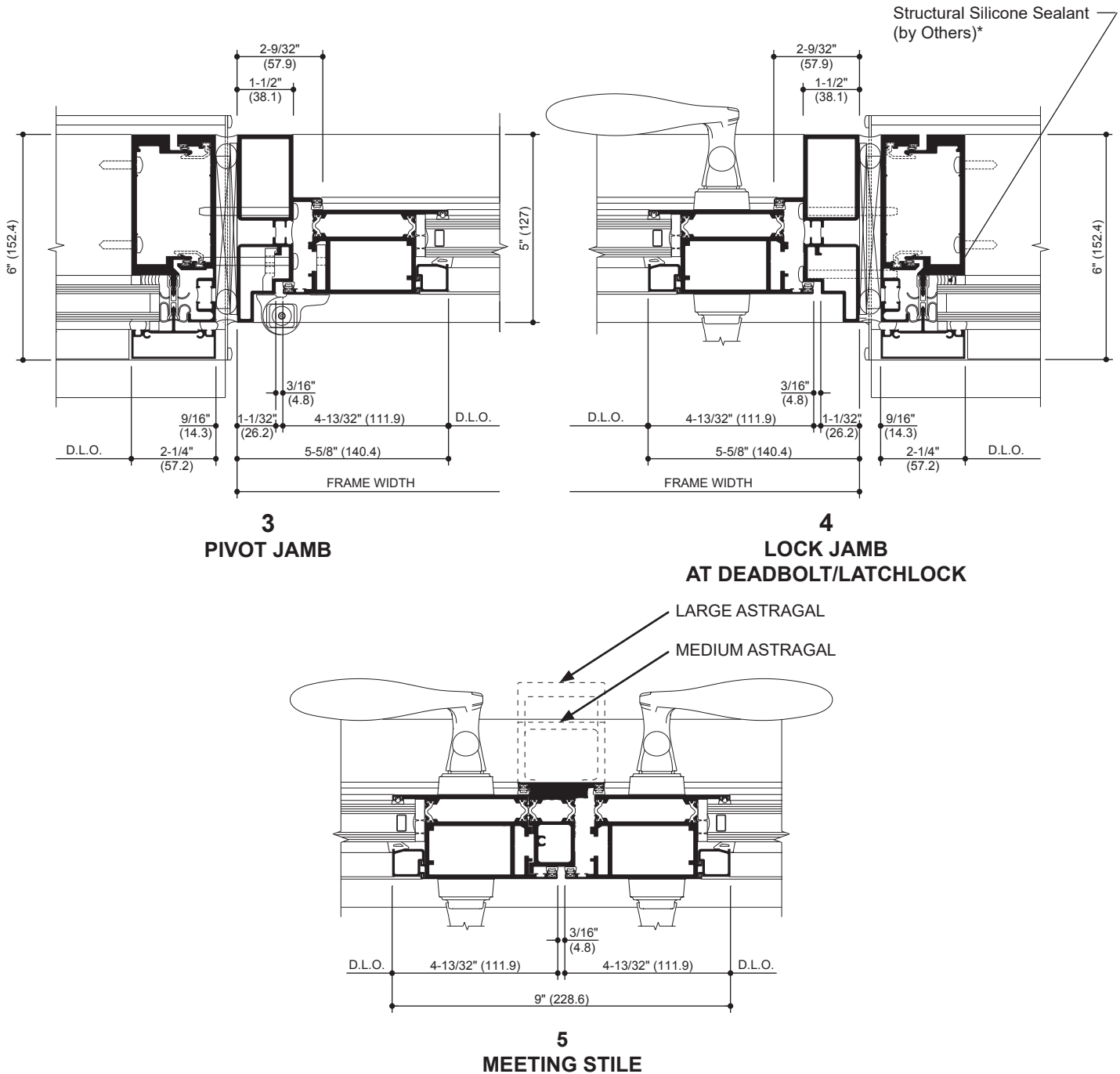
2B OPTIONAL LOW PROFILE THRESHOLD WITH 10" BOTTOM RAIL



Laws and building and safety codes governing the design and use of Kawneer products, such as glazed entrance, window, and curtain wall products, vary widely. Kawneer does not control the selection of product configurations, operating hardware, or glazing materials, and assumes no responsibility therefor.

Kawneer reserves the right to change configuration without prior notice when deemed necessary for product improvement.
© 2017, Kawneer Company, Inc.

Additional information and CAD details are available at www.kawneer.com



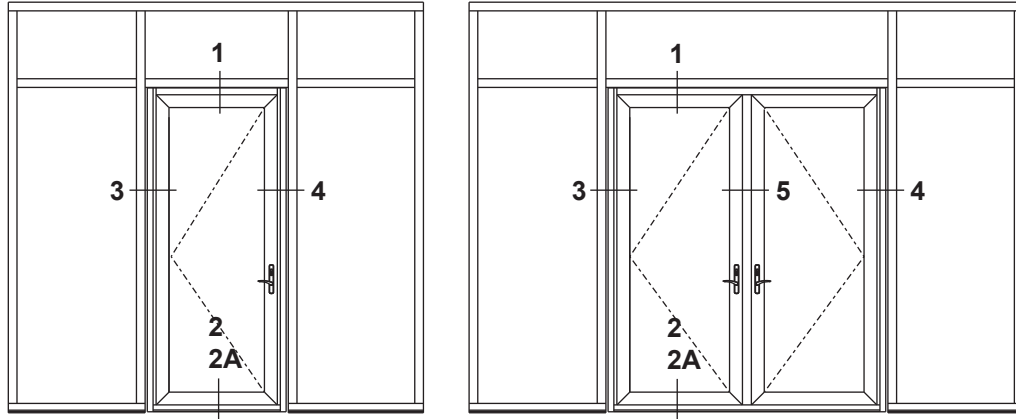
Laws and building and safety codes governing the design and use of Kawneer products, such as glazed entrance, window, and curtain wall products, vary widely. Kawneer does not control the selection of product configurations, operating hardware, or glazing materials, and assumes no responsibility therefor.

Kawneer reserves the right to change configuration without prior notice when deemed necessary for product improvement.

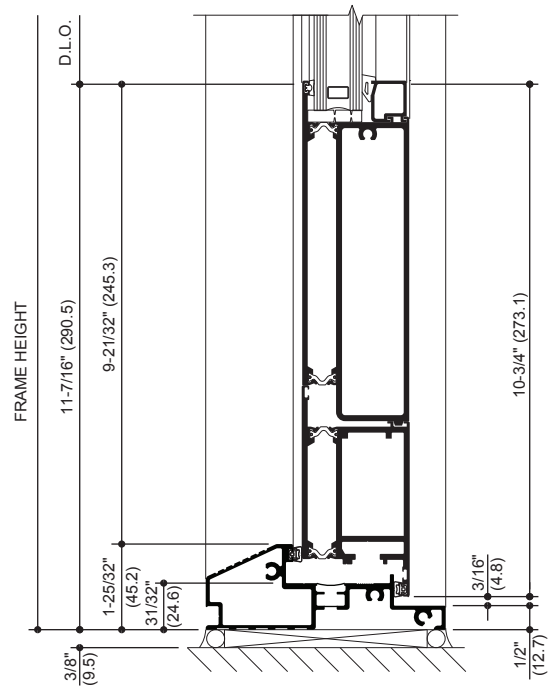
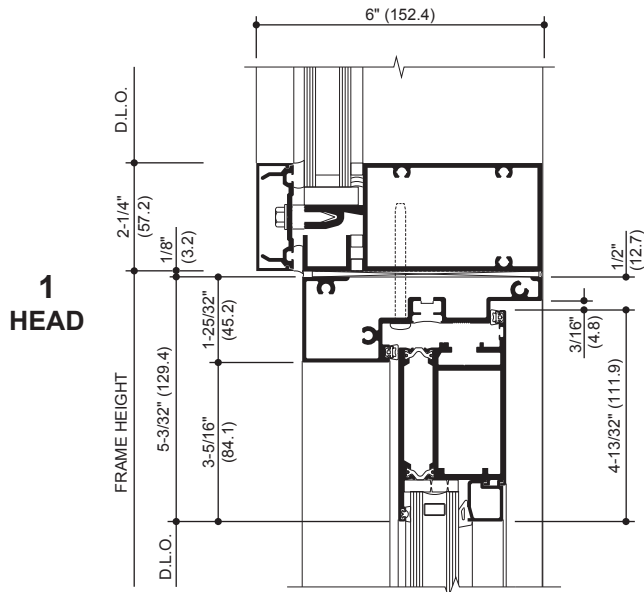
© 2017, Kawneer Company, Inc.

* INSTALLER NOTE: Installer is responsible for all required compatibility review and approvals with the Structural Silicone Manufacturer and the Insulating Glass Unit Manufacturer.

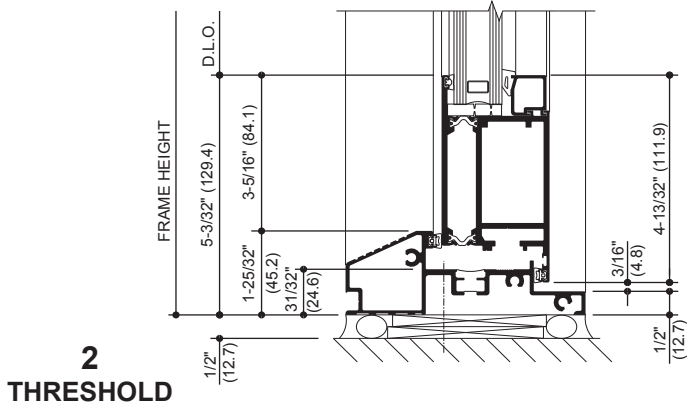
Additional information and CAD details are available at www.kawneer.com



INSWING DOORS & FRAME



2A OPTIONAL THRESHOLD WITH 10" BOTTOM RAIL

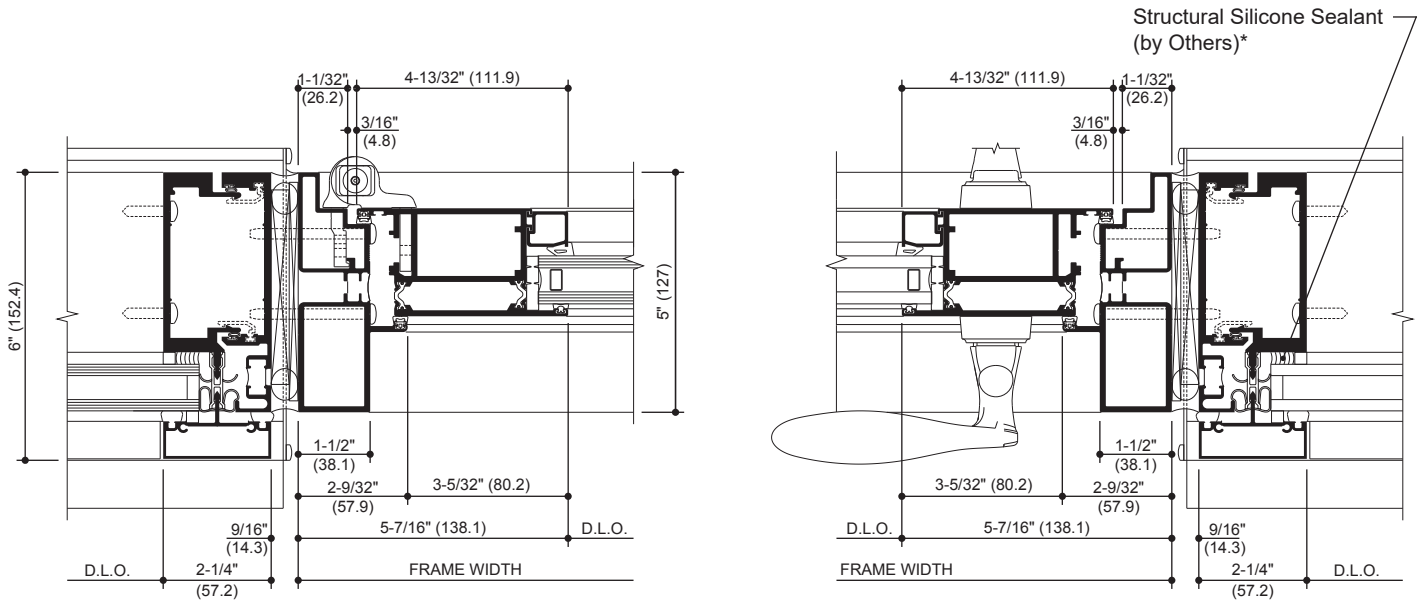


2 THRESHOLD

Laws and building and safety codes governing the design and use of Kawneer products, such as glazed entrance, window, and curtain wall products, vary widely. Kawneer does not control the selection of product configurations, operating hardware, or glazing materials, and assumes no responsibility therefor.

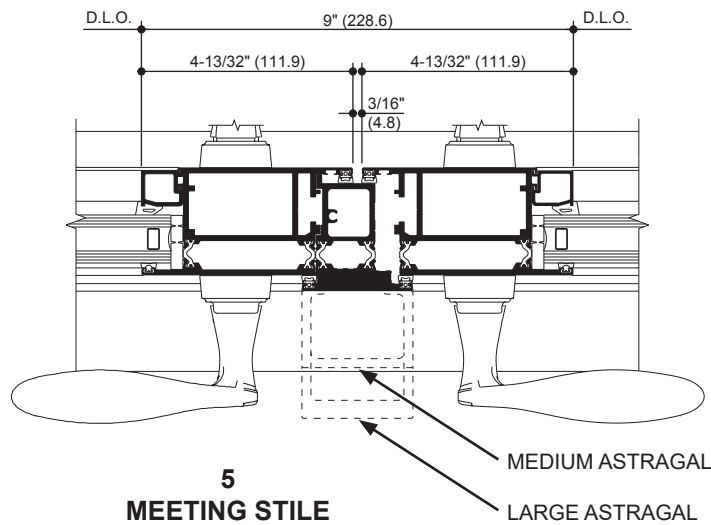
Kawneer reserves the right to change configuration without prior notice when deemed necessary for product improvement.
© 2017, Kawneer Company, Inc.

Additional information and CAD details are available at www.kawneer.com



3
PIVOT JAMB

4
LOCK JAMB
AT DEADBOLT/LATCHLOCK



5
MEETING STILE

Laws and building and safety codes governing the design and use of Kawneer products, such as glazed entrance, window, and curtain wall products, vary widely. Kawneer does not control the selection of product configurations, operating hardware, or glazing materials, and assumes no responsibility therefor.

Kawneer reserves the right to change configuration without prior notice when deemed necessary for product improvement.
© 2017, Kawneer Company, Inc.

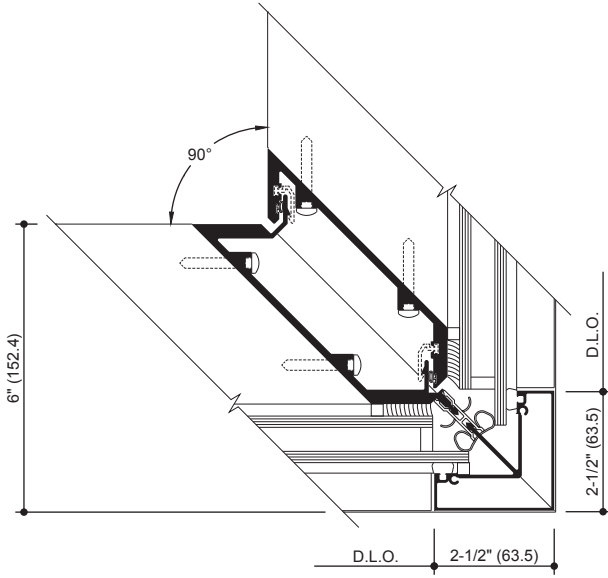
* INSTALLER NOTE: Installer is responsible for all required compatibility review and approvals with the Structural Silicone Manufacturer and the Insulating Glass Unit Manufacturer.

Additional information and CAD details are available at www.kawneer.com

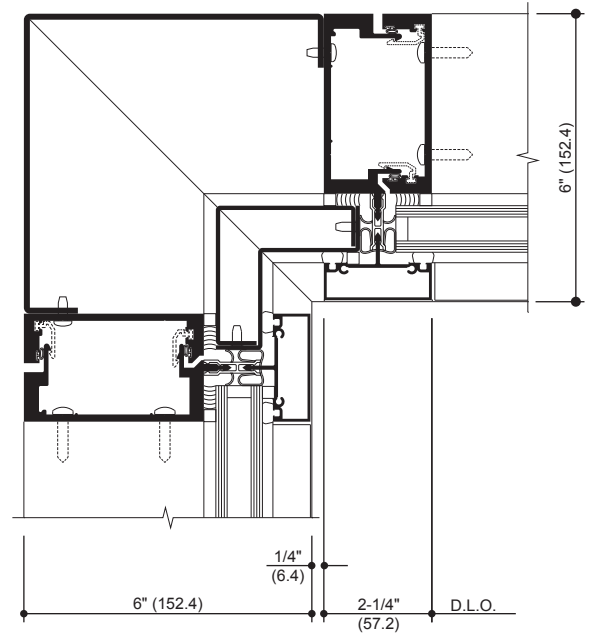
(1" (25.4) INFILL SHOWN, 1-3/16" (30.2) SIMILAR)

Laws and building and safety codes governing the design and use of Kawneer products, such as glazed entrance, window, and curtain wall products, vary widely. Kawneer does not control the selection of product configurations, operating hardware, or glazing materials, and assumes no responsibility therefor.

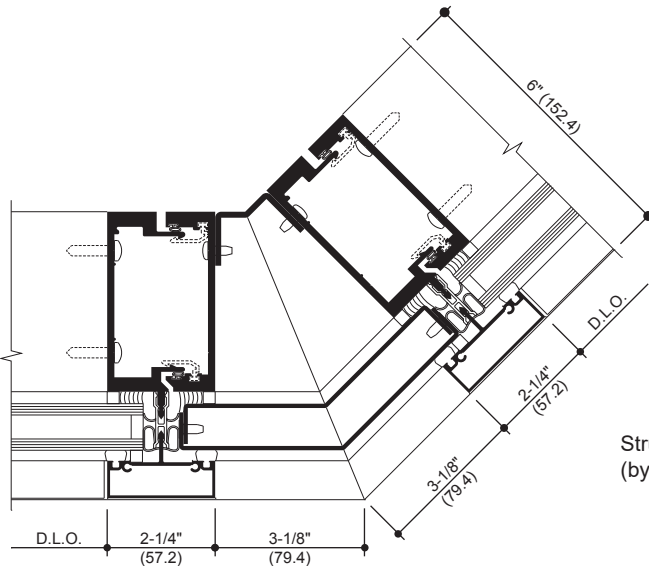
Kawneer reserves the right to change configuration without prior notice when deemed necessary for product improvement.
© 2017, Kawneer Company, Inc.



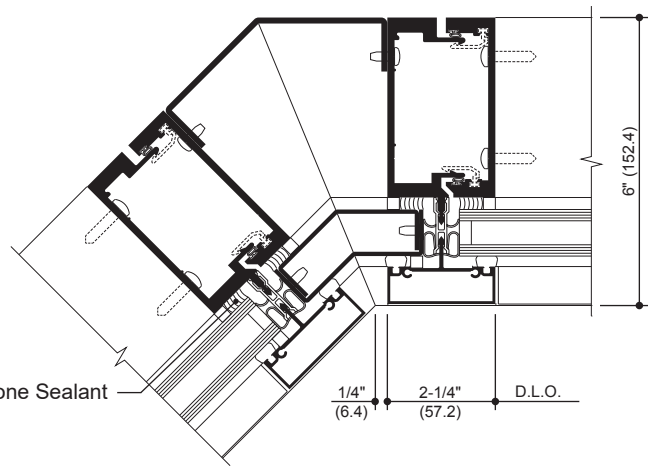
90° OUTSIDE CORNER



90° INSIDE CORNER



135° OUTSIDE CORNER



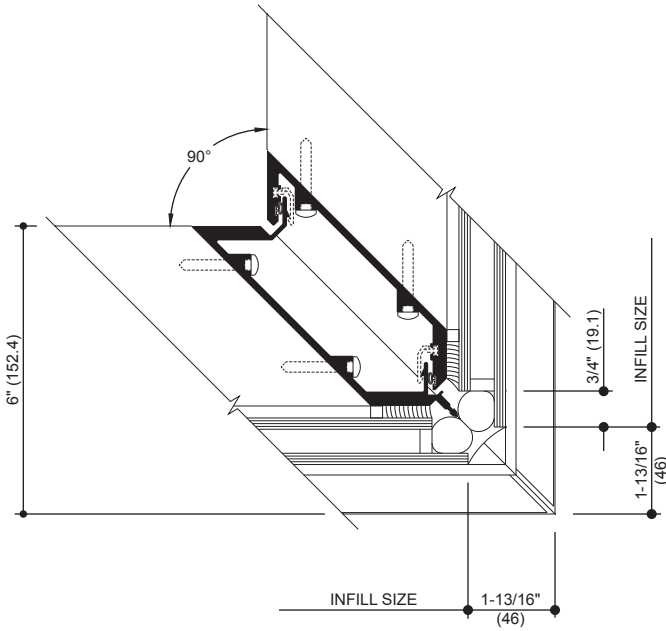
135° INSIDE CORNER

* **INSTALLER NOTE:** Installer is responsible for all required compatibility review and approvals with the Structural Silicone Manufacturer and the Insulating Glass Unit Manufacturer.

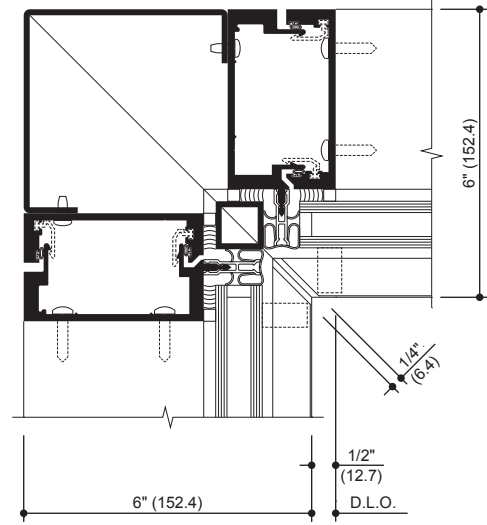
Additional information and CAD details are available at www.kawneer.com

(1" (25.4) INFILL SHOWN, 1-3/16" (30.2) SIMILAR)

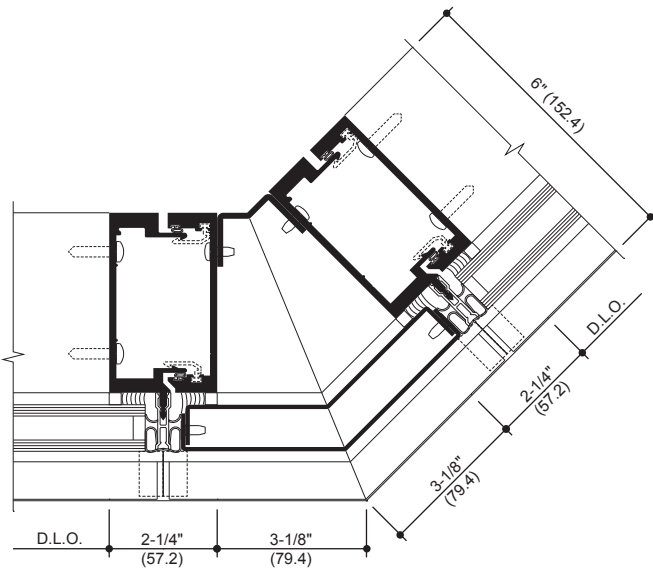
SSG CORNERS



90° OUTSIDE CORNER

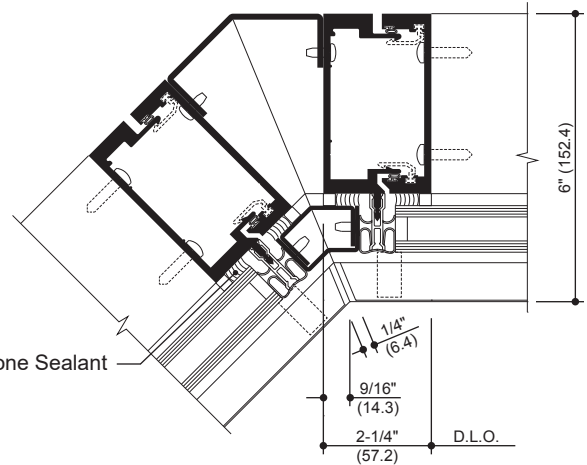


90° INSIDE CORNER



135° OUTSIDE CORNER

Structural Silicone Sealant (by Others)*



135° INSIDE CORNER

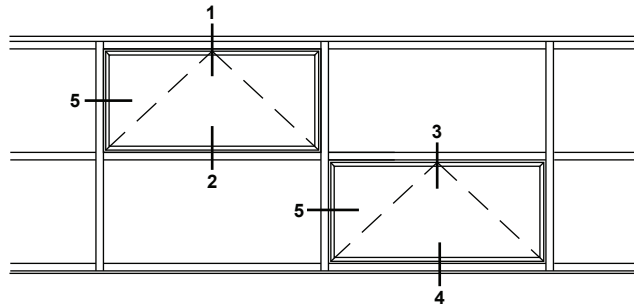
* INSTALLER NOTE: Installer is responsible for all required compatibility review and approvals with the Structural Silicone Manufacturer and the Insulating Glass Unit Manufacturer.

Laws and building and safety codes governing the design and use of Kawneer products, such as glazed entrance, window, and curtain wall products, vary widely. Kawneer does not control the selection of product configurations, operating hardware, or glazing materials, and assumes no responsibility therefor.

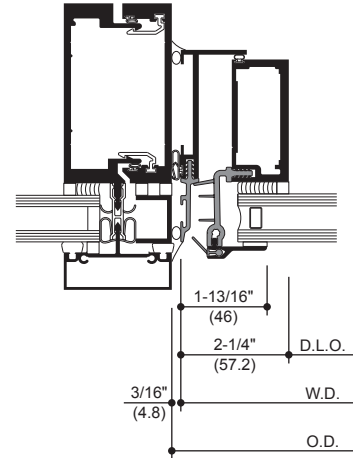
Kawneer reserves the right to change configuration without prior notice when deemed necessary for product improvement.
© 2017, Kawneer Company, Inc.

Additional information and CAD details are available at www.kawneer.com

PROJECT-OUT WINDOW SHOWN
CASEMENT OUTSWING ALSO AVAILABLE

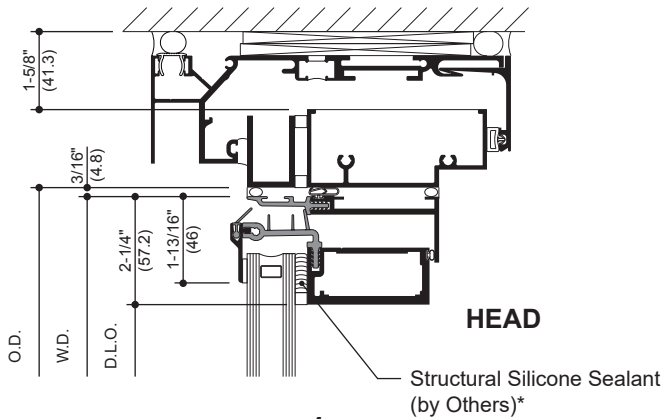


ELEVATION IS NUMBER KEYED TO DETAILS



JAMB

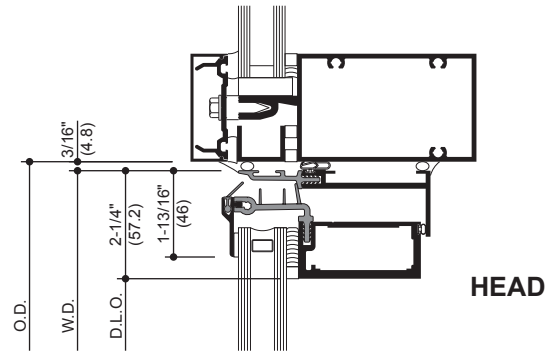
5



HEAD

Structural Silicone Sealant
(by Others)*

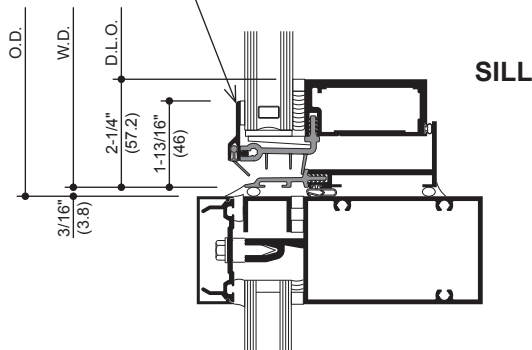
1



HEAD

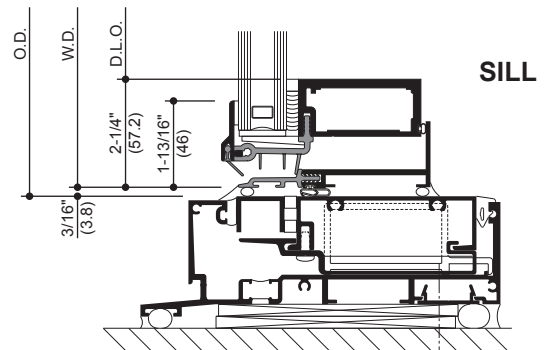
3

Trim Cover available
in #29 Black anodized
finish only



SILL

2



SILL

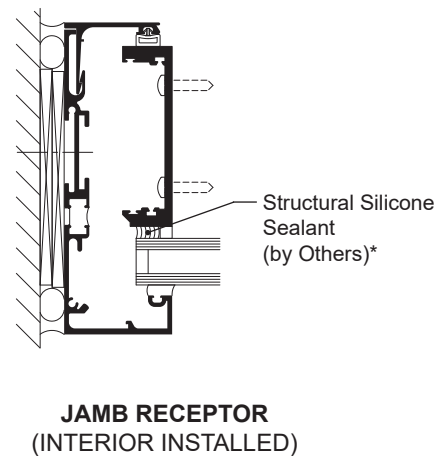
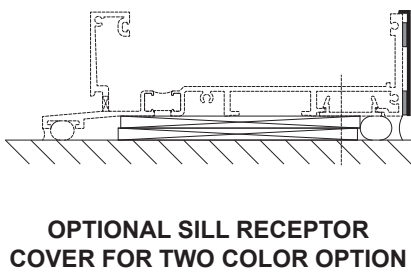
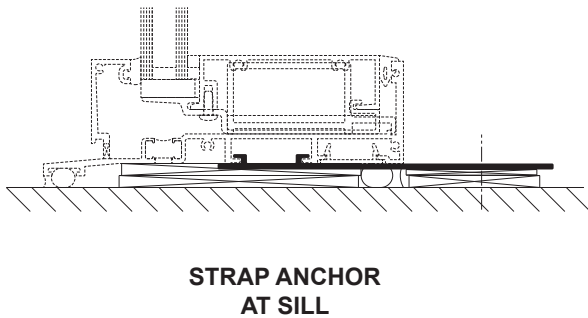
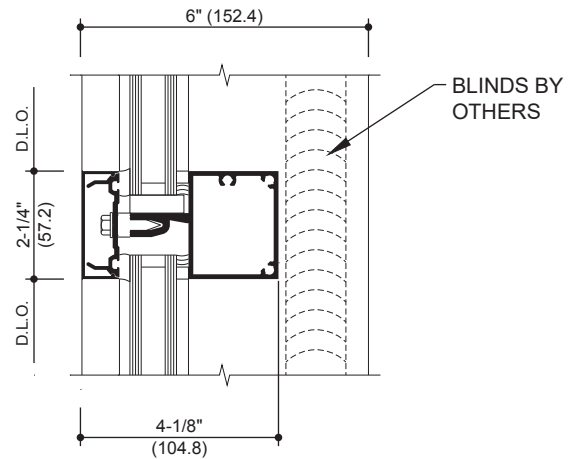
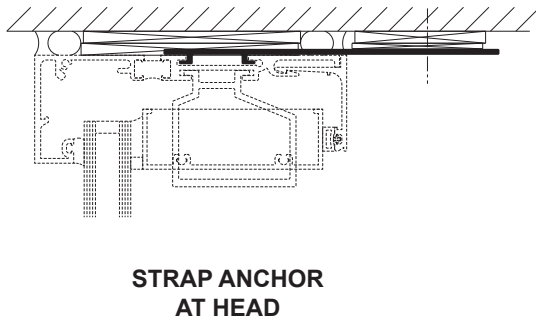
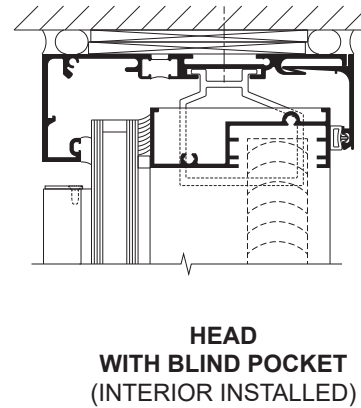
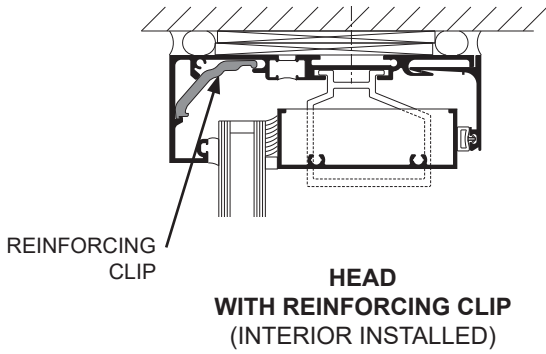
4

* **INSTALLER NOTE:** Installer is responsible for all required compatibility review and approvals with the Structural Silicone Manufacturer and the Insulating Glass Unit Manufacturer.

Laws and building and safety codes governing the design and use of Kawneer products, such as glazed entrance, window, and curtain wall products, vary widely. Kawneer does not control the selection of product configurations, operating hardware, or glazing materials, and assumes no responsibility therefor.

Kawneer reserves the right to change configuration without prior notice when deemed necessary for product improvement.
© 2017, Kawneer Company, Inc.

Additional information and CAD details are available at www.kawneer.com



Laws and building and safety codes governing the design and use of Kawneer products, such as glazed entrance, window, and curtain wall products, vary widely. Kawneer does not control the selection of product configurations, operating hardware, or glazing materials, and assumes no responsibility therefor.

Kawneer reserves the right to change configuration without prior notice when deemed necessary for product improvement.

© 2017, Kawneer Company, Inc.

* INSTALLER NOTE: Installer is responsible for all required compatibility review and approvals with the Structural Silicone Manufacturer and the Insulating Glass Unit Manufacturer.

WIND LOAD CHARTS

Mullions are designed for deflection limitations in accordance with AAMA TIR-A11 of L/175 up to 13' 6" and L/240 +1/4" above 13' 6". These curves are for mullions WITH HORIZONTALS and are based on engineering calculations for stress and deflection. Allowable wind load stress for ALUMINUM 15,152 psi (104 MPa), STEEL 30,000 psi (207 MPa). Charted curves, in all cases are for the limiting value. Wind load charts contained herein are based upon nominal wind load utilized in allowable stress design. A conversion from Load Resistance Factor Design (LRFD) is provided. To convert ultimate wind loads to nominal loads, multiply ultimate wind loads by a factor of 0.6 per ASCE/SEI 7. A 4/3 increase in allowable stress has not been used to develop these curves. For special situations not covered by these curves, contact your Kawneer representative for additional information.

DEADLOAD CHARTS

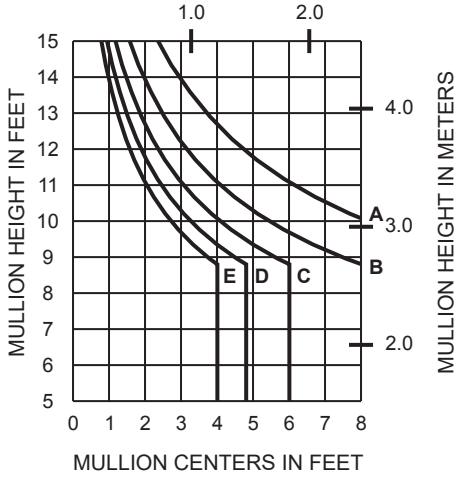
Horizontal or deadload limitations are based upon 1/8" (3.2), maximum allowable deflection at the center of an intermediate horizontal member. The accompanying charts are calculated for 1" (25.4) thick insulating glass or 1/4" (6.4) thick glass supported on two setting blocks placed at the loading points shown.

Laws and building and safety codes governing the design and use of Kawneer products, such as glazed entrance, window, and curtain wall products, vary widely. Kawneer does not control the selection of product configurations, operating hardware, or glazing materials, and assumes no responsibility therefor.

Kawneer reserves the right to change configuration without prior notice when deemed necessary for product improvement.
© 2017, Kawneer Company, Inc.

WITH HORIZONTALS

MULLION CENTERS IN METERS



	Allowable Stress Design Load	LRFD Ultimate Design Load
A =	20 PSF (960)	33 PSF (1580)
B =	30 PSF (1440)	50 PSF (2400)
C =	40 PSF (1920)	67 PSF (3200)
D =	50 PSF (2400)	83 PSF (4000)
E =	60 PSF (2880)	100 PSF (4790)

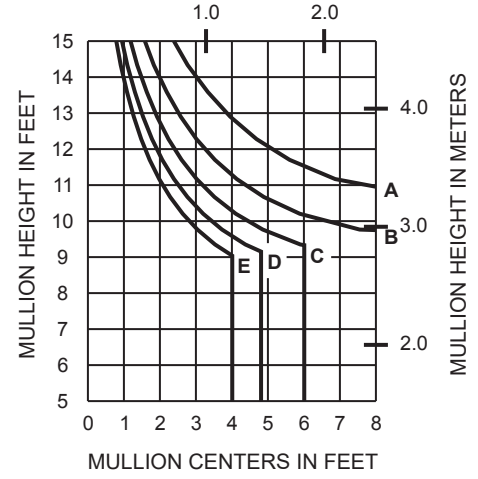


183001/183002

S5G Application

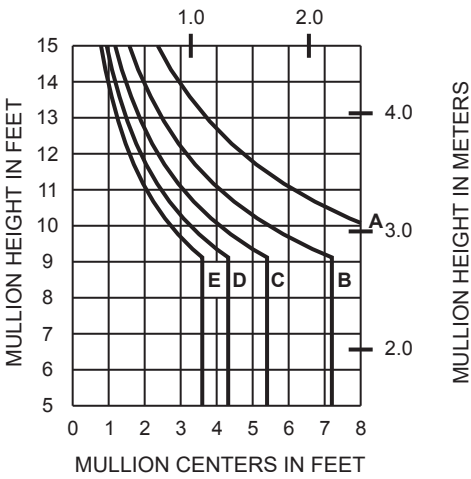
WITHOUT HORIZONTALS

MULLION CENTERS IN METERS

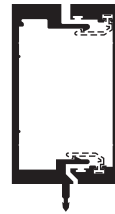


WITH HORIZONTALS

MULLION CENTERS IN METERS



	Allowable Stress Design Load	LRFD Ultimate Design Load
A =	20 PSF (960)	33 PSF (1580)
B =	30 PSF (1440)	50 PSF (2400)
C =	40 PSF (1920)	67 PSF (3200)
D =	50 PSF (2400)	83 PSF (4000)
E =	60 PSF (2880)	100 PSF (4790)

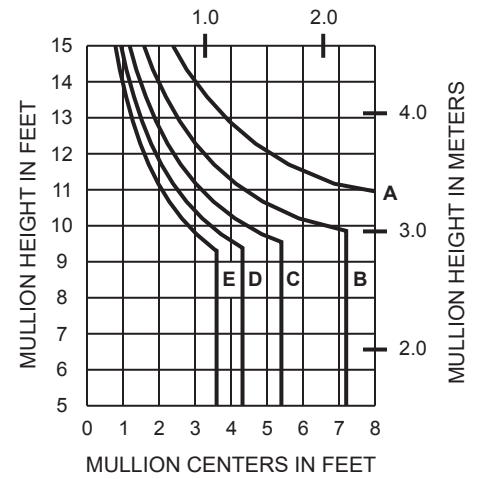


183001/183002

3M VHB Application

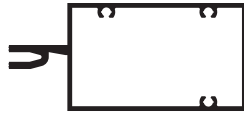
WITHOUT HORIZONTALS

MULLION CENTERS IN METERS



Laws and building and safety codes governing the design and use of Kawneer products, such as glazed entrance, window, and curtain wall products, vary widely. Kawneer does not control the selection of product configurations, operating hardware, or glazing materials, and assumes no responsibility therefor.

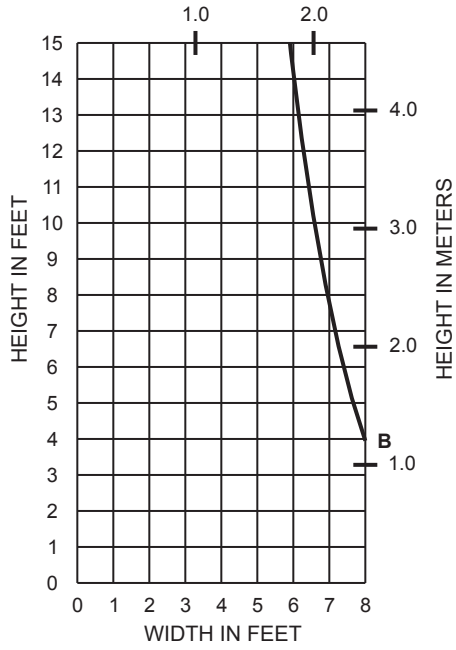
Kawneer reserves the right to change configuration without prior notice when deemed necessary for product improvement.
© 2017, Kawneer Company, Inc.



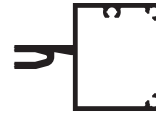
183006

(1" INFILL)

WIDTH IN METERS



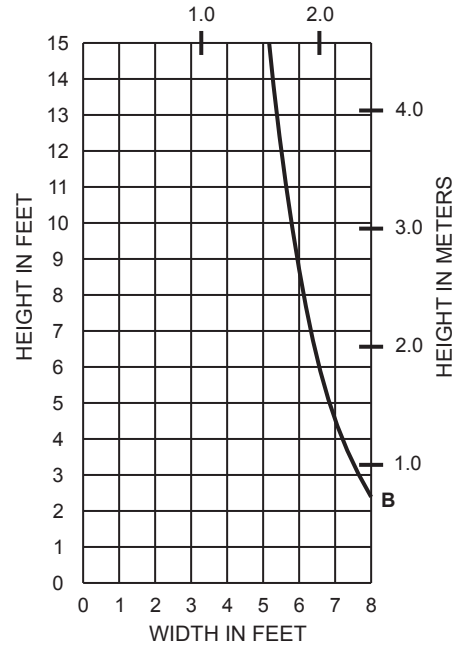
A = 1/4 POINT LOADING
B = 1/8 POINT LOADING



183014

(1" INFILL)

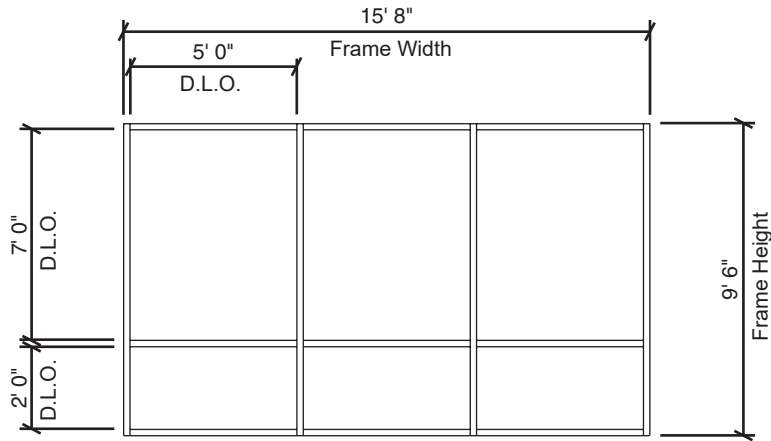
WIDTH IN METERS



Laws and building and safety codes governing the design and use of Kawneer products, such as glazed entrance, window, and curtain wall products, vary widely. Kawneer does not control the selection of product configurations, operating hardware, or glazing materials, and assumes no responsibility therefor.

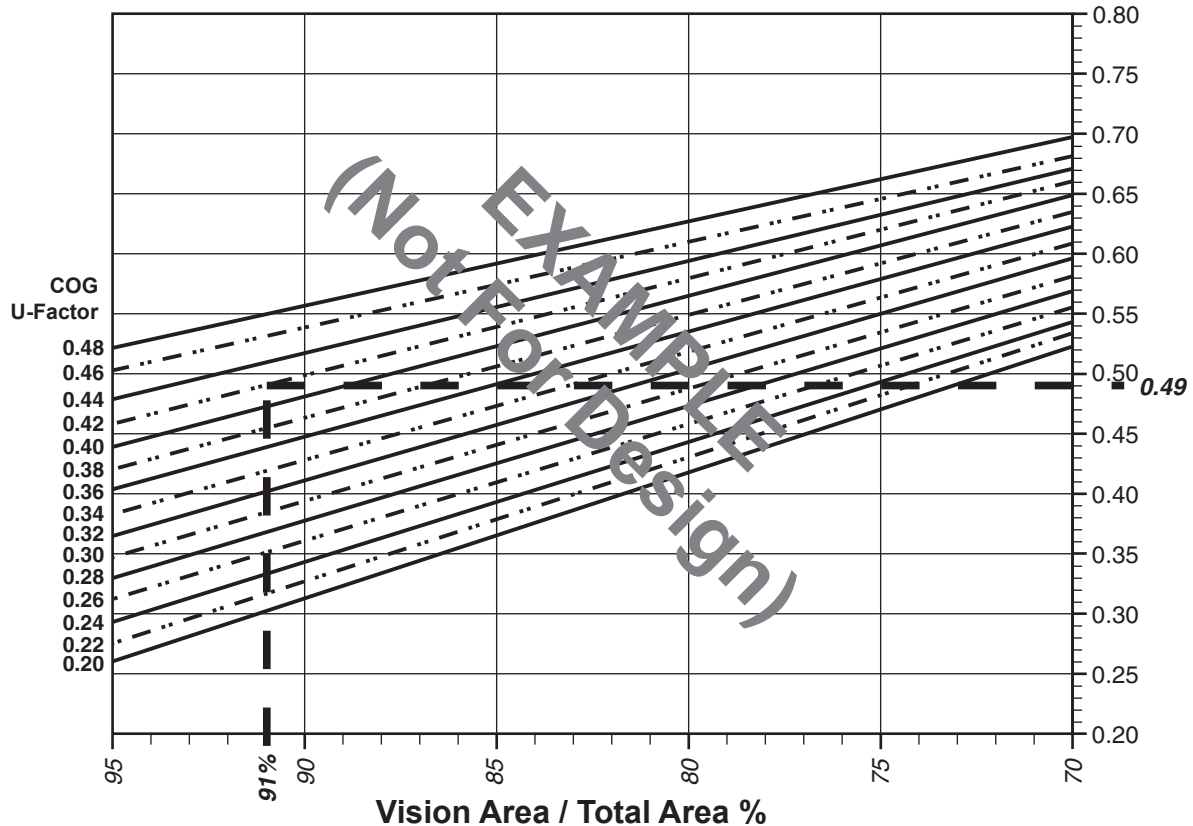
Kawneer reserves the right to change configuration without prior notice when deemed necessary for product improvement.
© 2017, Kawneer Company, Inc.

Generic Project Specific U-factor Example Calculation
 (Percent of Glass will vary on specific products depending on sitelines)
 (Based on single bay of Window Wall)



Example Glass U-Factor = 0.42 Btu/hr x ft² x °F
 Total Daylight Opening = 3(5' x 7') + 3(5' x 2') = 135 ft²
 Total Projected Area= (Total Daylight Opening + Total Area of Framing System)
 = 15' 8" x 9' 6" = 148.83 ft²
 Percent of Glass = (Total Daylight Opening ÷ Total Projected Area)
 = (135 ÷ 148.83)100 = 91%

System U-Factor vs Percent of Glass Area



Based on 91% glass and center of glass U-Factor of 0.42
 System U-Factor is equal to 0.49 Btu/hr x ft² x °F

Laws and building and safety codes governing the design and use of Kawneer products, such as glazed entrance, window, and curtain wall products, vary widely. Kawneer does not control the selection of product configurations, operating hardware, or glazing materials, and assumes no responsibility therefor.

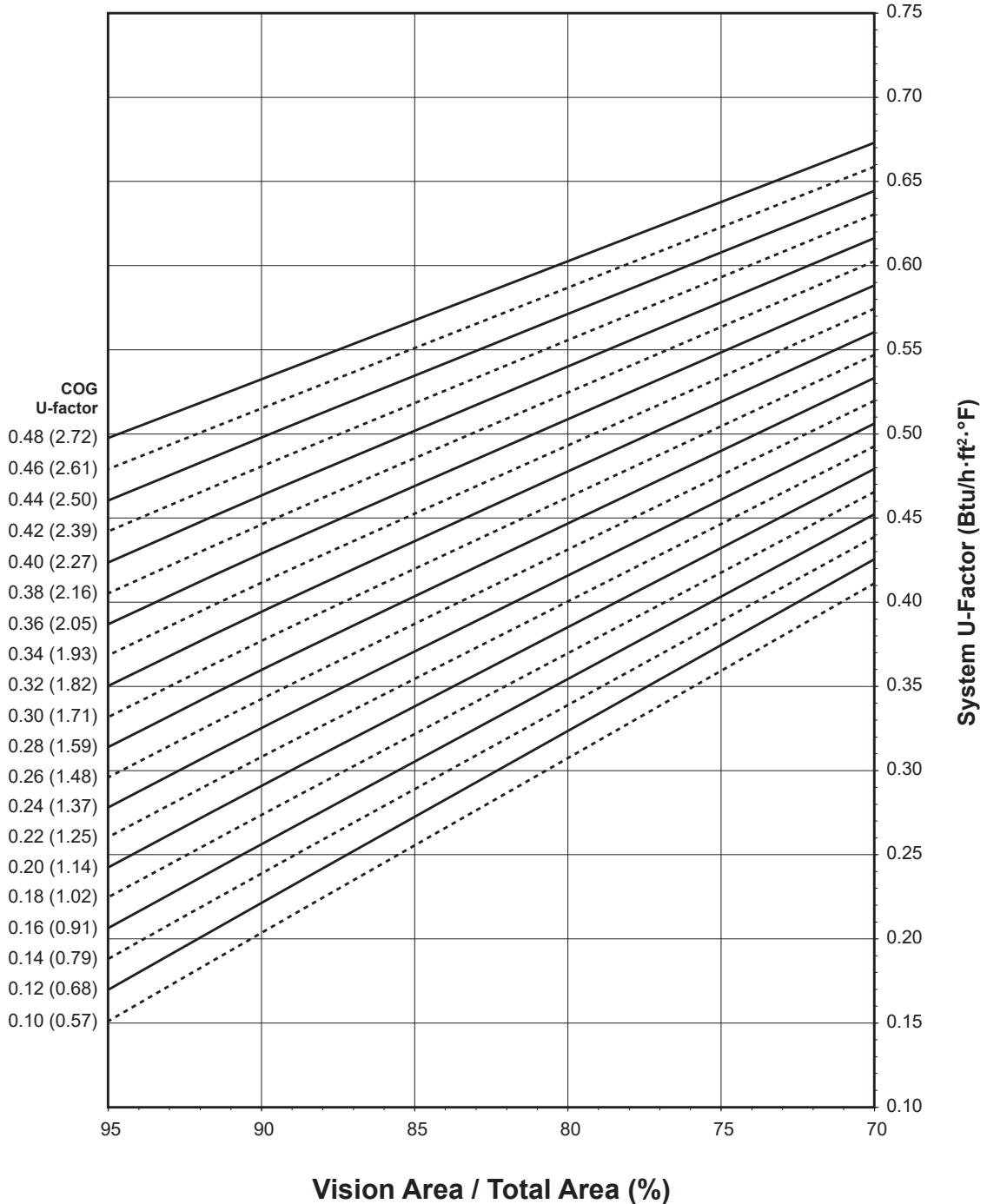
Kawneer reserves the right to change configuration without prior notice when deemed necessary for product improvement.
 © 2017, Kawneer Company, Inc.

FG 601T PG Captured Window Wall 1" Double Glazed - Warm-Edge Glazing Spacer

Note:

Values in parentheses are metric.
COG = Center of Glass.
Charts are generated per AAMA 507

System U-Factor for Vision Glass



Notes for System U-factor, SHGC and VT charts:

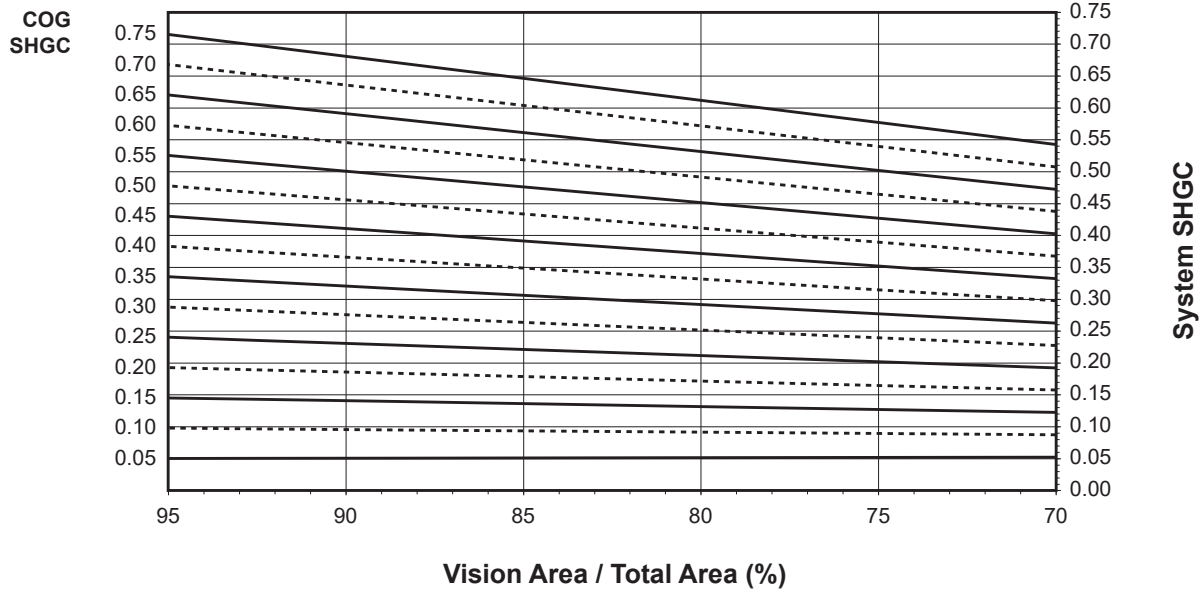
For glass values that are not listed, linear interpolation is permitted.
Glass properties are based on center of glass values and are obtained from your glass supplier.

Laws and building and safety codes governing the design and use of Kawneer products, such as glazed entrance, window, and curtain wall products, vary widely. Kawneer does not control the selection of product configurations, operating hardware, or glazing materials, and assumes no responsibility therefor.

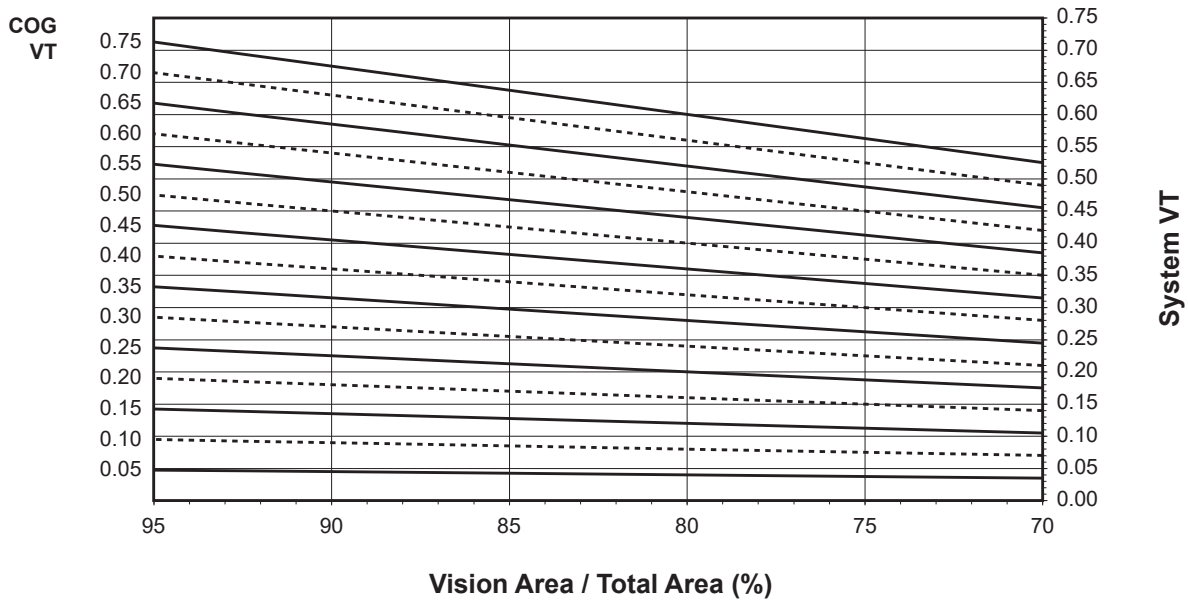
Kawneer reserves the right to change configuration without prior notice when deemed necessary for product improvement.
© 2017, Kawneer Company, Inc.

**FG 601T PG Captured Window Wall
1" Double Glazed - Warm-Edge Glazing Spacer**

System Solar Heat Gain Coefficient (SHGC) vs Percent of Vision Area



System Visible Transmittance (VT) vs Percent of Vision Area



Laws and building and safety codes governing the design and use of Kawneer products, such as glazed entrance, window, and curtain wall products, vary widely. Kawneer does not control the selection of product configurations, operating hardware, or glazing materials, and assumes no responsibility therefor.

Kawneer reserves the right to change configuration without prior notice when deemed necessary for product improvement.
© 2017, Kawneer Company, Inc.

Thermal Transmittance ¹ (BTU/hr • ft ² • °F)

Glass U-Factor ³	Overall U-Factor ⁴
0.48	0.54
0.46	0.53
0.44	0.51
0.42	0.49
0.40	0.47
0.38	0.46
0.36	0.44
0.34	0.42
0.32	0.41
0.30	0.39
0.28	0.37
0.26	0.36
0.24	0.34
0.22	0.32
0.20	0.30
0.18	0.29
0.16	0.27
0.14	0.25
0.12	0.24
0.10	0.22

**FG 601T PG Captured Window Wall
1" Double Glazed
Warm Edge Glazing Spacer**

NOTE: For glass values that are not listed, linear interpolation is permitted.

1. U-Factors are determined in accordance with NFRC 100.
2. SHGC and VT values are determined in accordance with NFRC 200.
3. Glass properties are based on center of glass values and are obtained from your glass supplier.
4. Overall U-Factor, SHGC, and VT Matricies are based on the standard NFRC specimen size of 2,000 mm wide by 2,000 mm high (78-3/4" by 78-3/4").

SHGC Matrix ²

Glass SHGC ³	Overall SHGC ⁴
0.75	0.67
0.70	0.63
0.65	0.58
0.60	0.54
0.55	0.49
0.50	0.45
0.45	0.41
0.40	0.36
0.35	0.32
0.30	0.27
0.25	0.23
0.20	0.18
0.15	0.14
0.10	0.10
0.05	0.05

Visible Transmittance ²

Glass VT ³	Overall VT ⁴
0.75	0.66
0.70	0.62
0.65	0.58
0.60	0.53
0.55	0.49
0.50	0.44
0.45	0.40
0.40	0.35
0.35	0.31
0.30	0.27
0.25	0.22
0.20	0.18
0.15	0.13
0.10	0.09
0.05	0.04

Laws and building and safety codes governing the design and use of Kawneer products, such as glazed entrance, window, and curtain wall products, vary widely. Kawneer does not control the selection of product configurations, operating hardware, or glazing materials, and assumes no responsibility therefor.

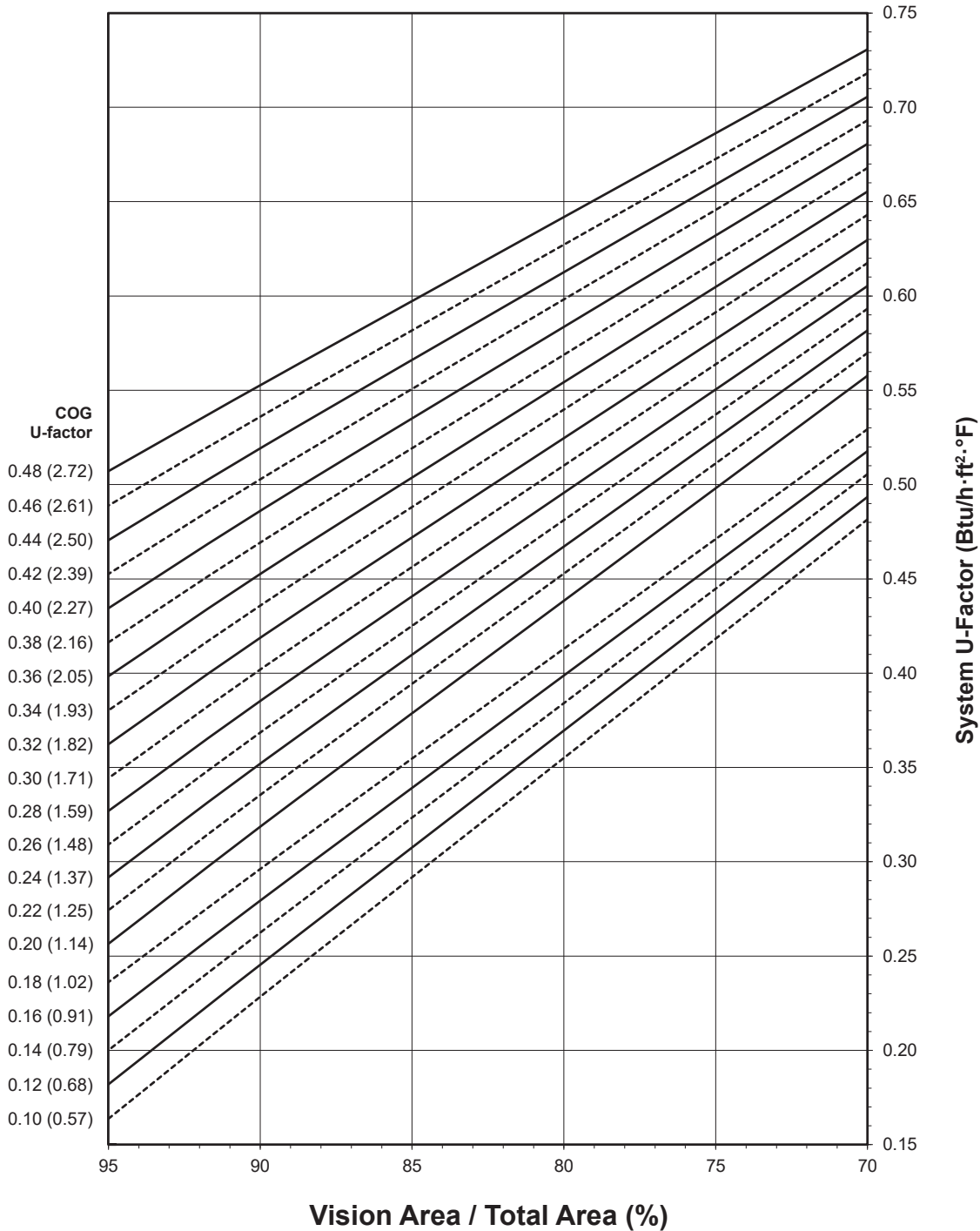
Kawneer reserves the right to change configuration without prior notice when deemed necessary for product improvement.
© 2017, Kawneer Company, Inc.

**FG 601T PG Captured Window Wall
1" Double Glazed - Aluminum Glazing Spacer**

Note:

Values in parentheses are metric.
COG = Center of Glass.
Charts are generated per AAMA 507

System U-Factor for Vision Glass



Notes for System U-factor, SHGC and VT charts:

For glass values that are not listed, linear interpolation is permitted.
Glass properties are based on center of glass values and are obtained from your glass supplier.

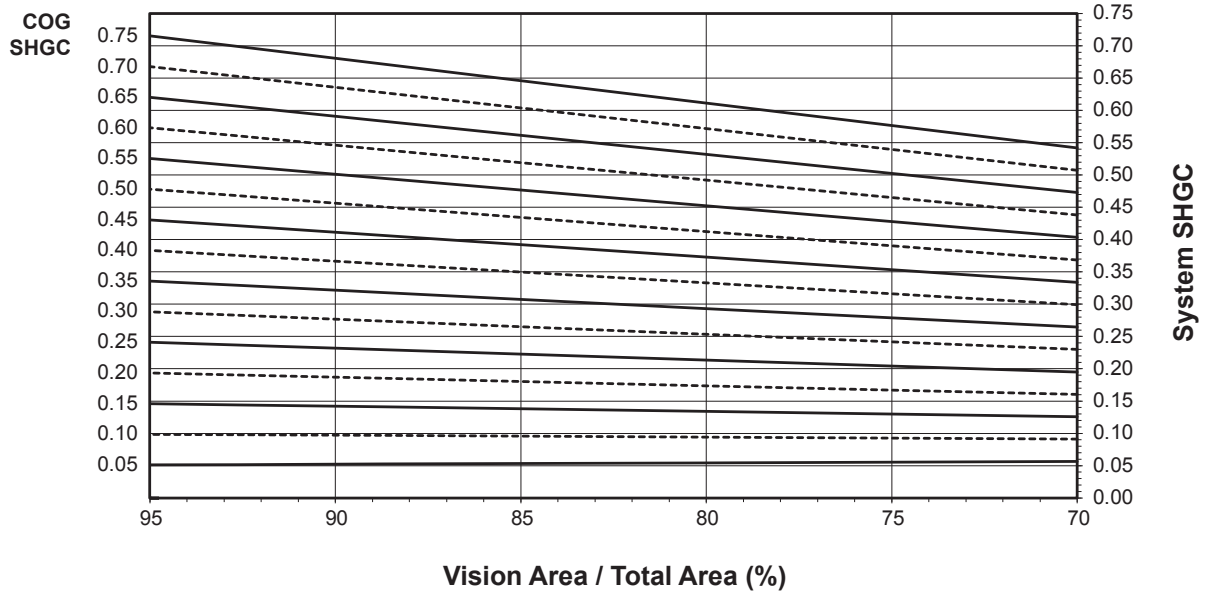
Laws and building and safety codes governing the design and use of Kawneer products, such as glazed entrance, window, and curtain wall products, vary widely. Kawneer does not control the selection of product configurations, operating hardware, or glazing materials, and assumes no responsibility therefor.

Kawneer reserves the right to change configuration without prior notice when deemed necessary for product improvement.

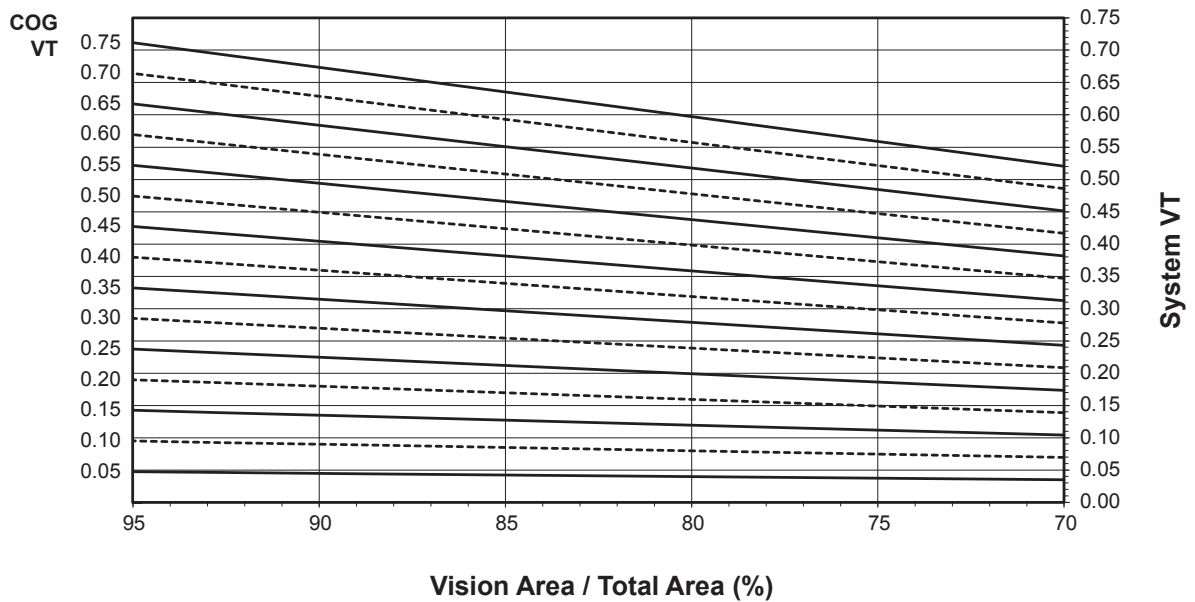
© 2017, Kawneer Company, Inc.

FG 601T PG Captured Window Wall
1" Double Glazed - Aluminum Glazing Spacer

System Solar Heat Gain Coefficient (SHGC) vs Percent of Vision Area



System Visible Transmittance (VT) vs Percent of Vision Area



Laws and building and safety codes governing the design and use of Kawneer products, such as glazed entrance, window, and curtain wall products, vary widely. Kawneer does not control the selection of product configurations, operating hardware, or glazing materials, and assumes no responsibility therefor.

Kawneer reserves the right to change configuration without prior notice when deemed necessary for product improvement.
© 2017, Kawneer Company, Inc.

Thermal Transmittance ¹ (BTU/hr • ft² • °F)

Glass U-Factor ³	Overall U-Factor ⁴
0.48	0.56
0.46	0.55
0.44	0.53
0.42	0.51
0.40	0.50
0.38	0.48
0.36	0.47
0.34	0.45
0.32	0.43
0.30	0.42
0.28	0.40
0.26	0.38
0.24	0.37
0.22	0.35
0.20	0.33
0.18	0.31
0.16	0.29
0.14	0.28
0.12	0.26
0.10	0.24

**FG 601T PG Captured Window Wall
1" Double Glazed
Aluminum Glazing Spacer**

NOTE: For glass values that are not listed, linear interpolation is permitted.

1. U-Factors are determined in accordance with NFRC 100.
2. SHGC and VT values are determined in accordance with NFRC 200.
3. Glass properties are based on center of glass values and are obtained from your glass supplier.
4. Overall U-Factor, SHGC, and VT Matricies are based on the standard NFRC specimen size of 2,000 mm wide by 2,000 mm high (78-3/4" by 78-3/4").

SHGC Matrix ²

Glass SHGC ³	Overall SHGC ⁴
0.75	0.67
0.70	0.63
0.65	0.58
0.60	0.54
0.55	0.49
0.50	0.45
0.45	0.41
0.40	0.36
0.35	0.32
0.30	0.27
0.25	0.23
0.20	0.19
0.15	0.14
0.10	0.10
0.05	0.05

Visible Transmittance ²

Glass VT ³	Overall VT ⁴
0.75	0.66
0.70	0.62
0.65	0.58
0.60	0.53
0.55	0.49
0.50	0.44
0.45	0.40
0.40	0.35
0.35	0.31
0.30	0.27
0.25	0.22
0.20	0.18
0.15	0.13
0.10	0.09
0.05	0.04

Laws and building and safety codes governing the design and use of Kawneer products, such as glazed entrance, window, and curtain wall products, vary widely. Kawneer does not control the selection of product configurations, operating hardware, or glazing materials, and assumes no responsibility therefor.

Kawneer reserves the right to change configuration without prior notice when deemed necessary for product improvement.
© 2017, Kawneer Company, Inc.

FG 601T PG SSG Window Wall 1" Double Glazed - Warm Edge Glazing Spacer

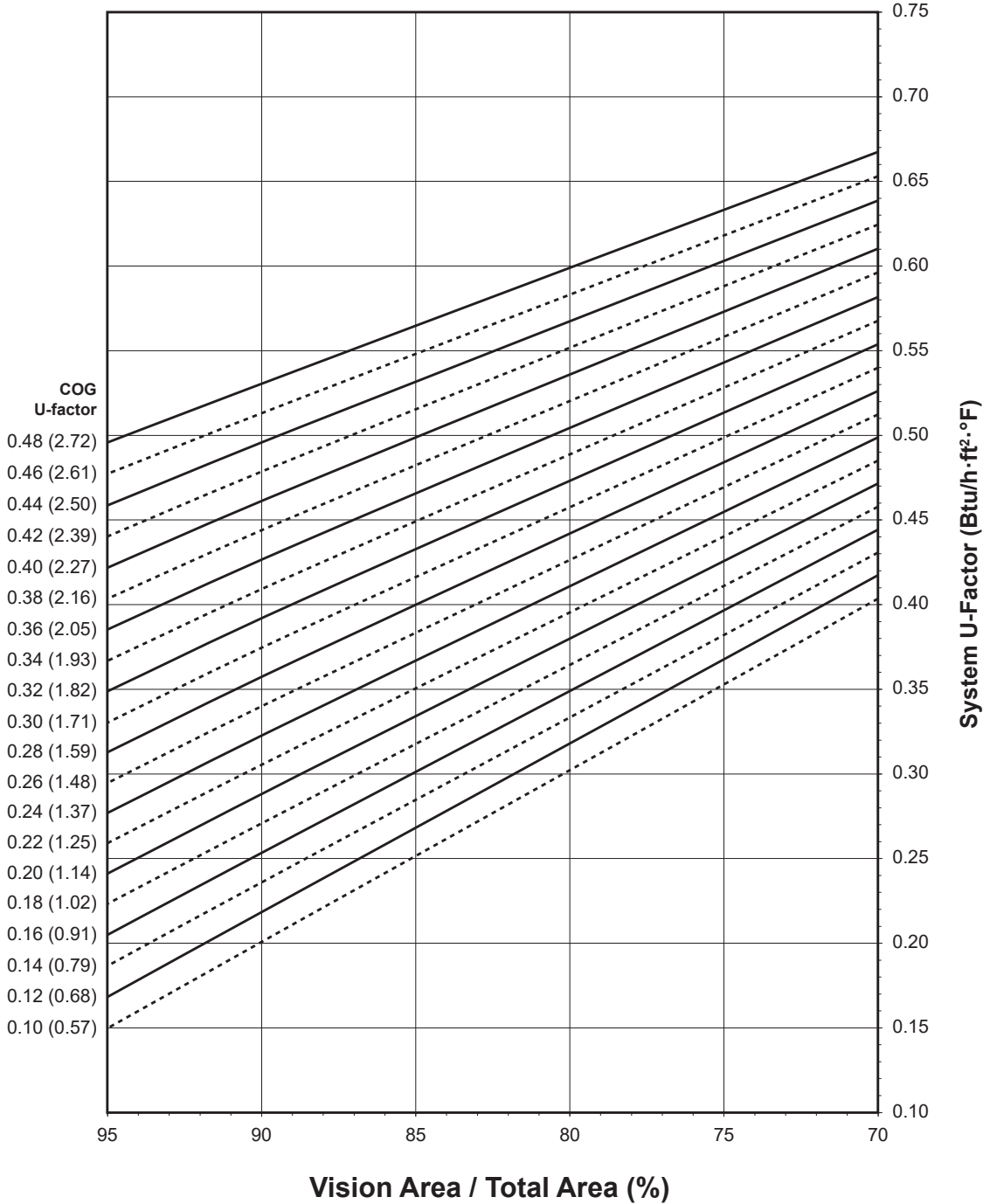
Note:

Values in parentheses are metric.

COG = Center of Glass.

Charts are generated per AAMA 507

System U-Factor for Vision Glass



Notes for System U-factor, SHGC and VT charts:

For glass values that are not listed, linear interpolation is permitted.

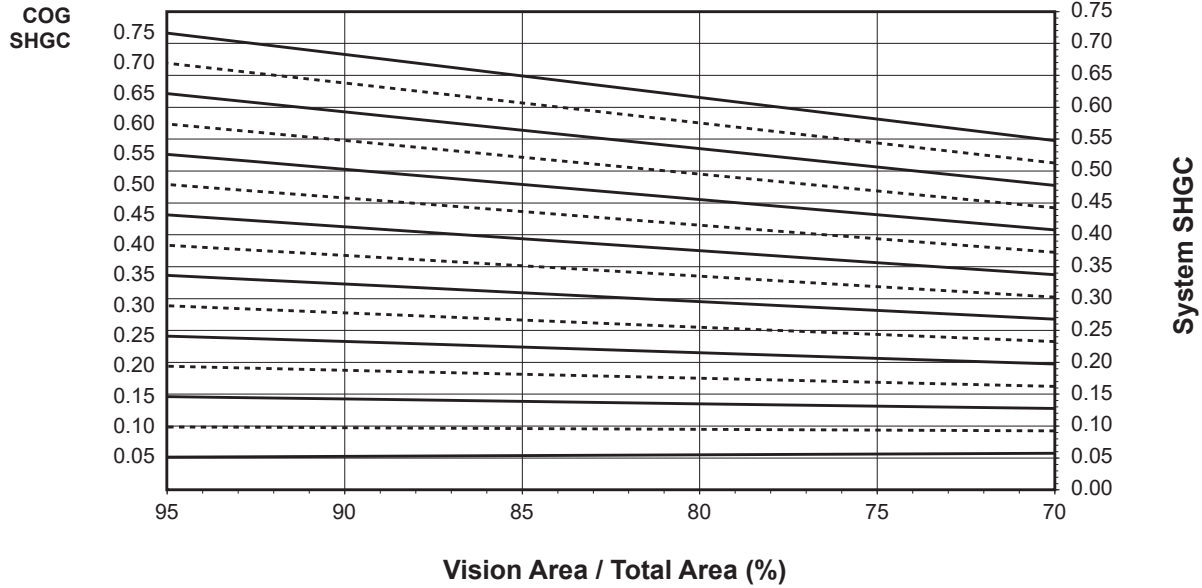
Glass properties are based on center of glass values and are obtained from your glass supplier.

Laws and building and safety codes governing the design and use of Kawneer products, such as glazed entrance, window, and curtain wall products, vary widely. Kawneer does not control the selection of product configurations, operating hardware, or glazing materials, and assumes no responsibility therefor.

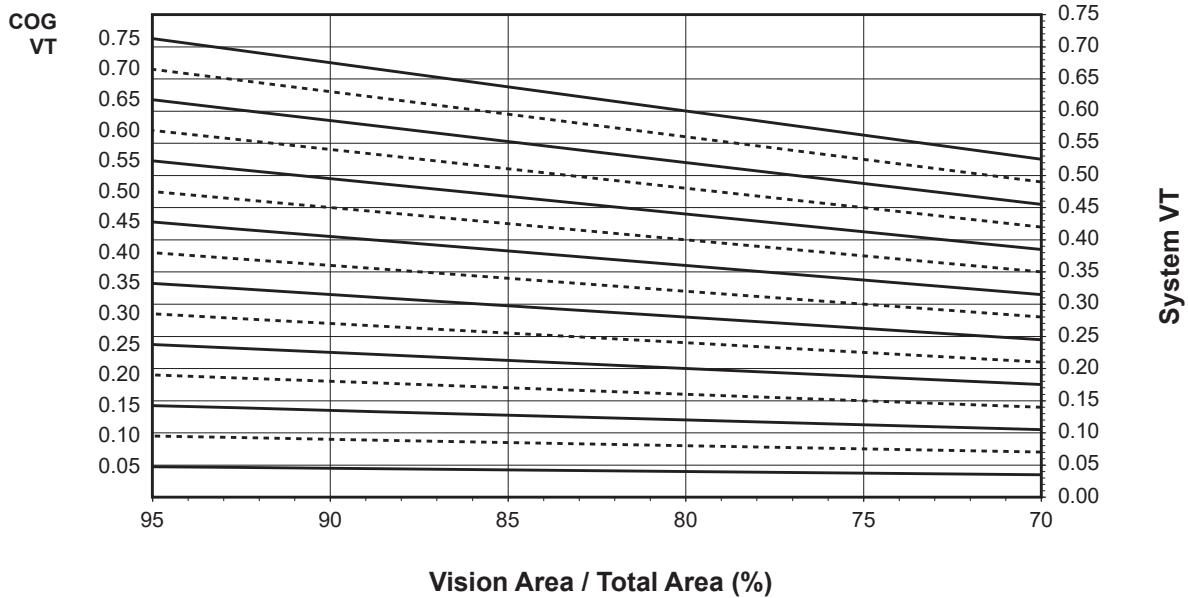
Kawneer reserves the right to change configuration without prior notice when deemed necessary for product improvement.
© 2017, Kawneer Company, Inc.

**FG 601T PG SSG Window Wall
1" Double Glazed - Warm Edge Glazing Spacer**

System Solar Heat Gain Coefficient (SHGC) vs Percent of Vision Area



System Visible Transmittance (VT) vs Percent of Vision Area



Laws and building and safety codes governing the design and use of Kawneer products, such as glazed entrance, window, and curtain wall products, vary widely. Kawneer does not control the selection of product configurations, operating hardware, or glazing materials, and assumes no responsibility therefor.

Kawneer reserves the right to change configuration without prior notice when deemed necessary for product improvement.
© 2017, Kawneer Company, Inc.

Thermal Transmittance ¹ (BTU/hr • ft ² • °F)

Glass U-Factor ³	Overall U-Factor ⁴
0.48	0.54
0.46	0.52
0.44	0.50
0.42	0.49
0.40	0.47
0.38	0.45
0.36	0.44
0.34	0.42
0.32	0.40
0.30	0.39
0.28	0.37
0.26	0.35
0.24	0.33
0.22	0.32
0.20	0.30
0.18	0.28
0.16	0.27
0.14	0.25
0.12	0.23
0.10	0.21

**FG 601T PG SSG Window Wall
1" Double Glazed
Warm Edge Glazing Spacer**

NOTE: For glass values that are not listed, linear interpolation is permitted.

1. U-Factors are determined in accordance with NFRC 100.
2. SHGC and VT values are determined in accordance with NFRC 200.
3. Glass properties are based on center of glass values and are obtained from your glass supplier.
4. Overall U-Factor, SHGC, and VT Matricies are based on the standard NFRC specimen size of 2,000 mm wide by 2,000 mm high (78-3/4" by 78-3/4").

SHGC Matrix ²

Glass SHGC ³	Overall SHGC ⁴
0.75	0.67
0.70	0.63
0.65	0.59
0.60	0.54
0.55	0.50
0.50	0.45
0.45	0.41
0.40	0.36
0.35	0.32
0.30	0.27
0.25	0.23
0.20	0.19
0.15	0.14
0.10	0.10
0.05	0.05

Visible Transmittance ²

Glass VT ³	Overall VT ⁴
0.75	0.67
0.70	0.62
0.65	0.58
0.60	0.53
0.55	0.49
0.50	0.44
0.45	0.40
0.40	0.35
0.35	0.31
0.30	0.27
0.25	0.22
0.20	0.18
0.15	0.13
0.10	0.09
0.05	0.04

Laws and building and safety codes governing the design and use of Kawneer products, such as glazed entrance, window, and curtain wall products, vary widely. Kawneer does not control the selection of product configurations, operating hardware, or glazing materials, and assumes no responsibility therefor.

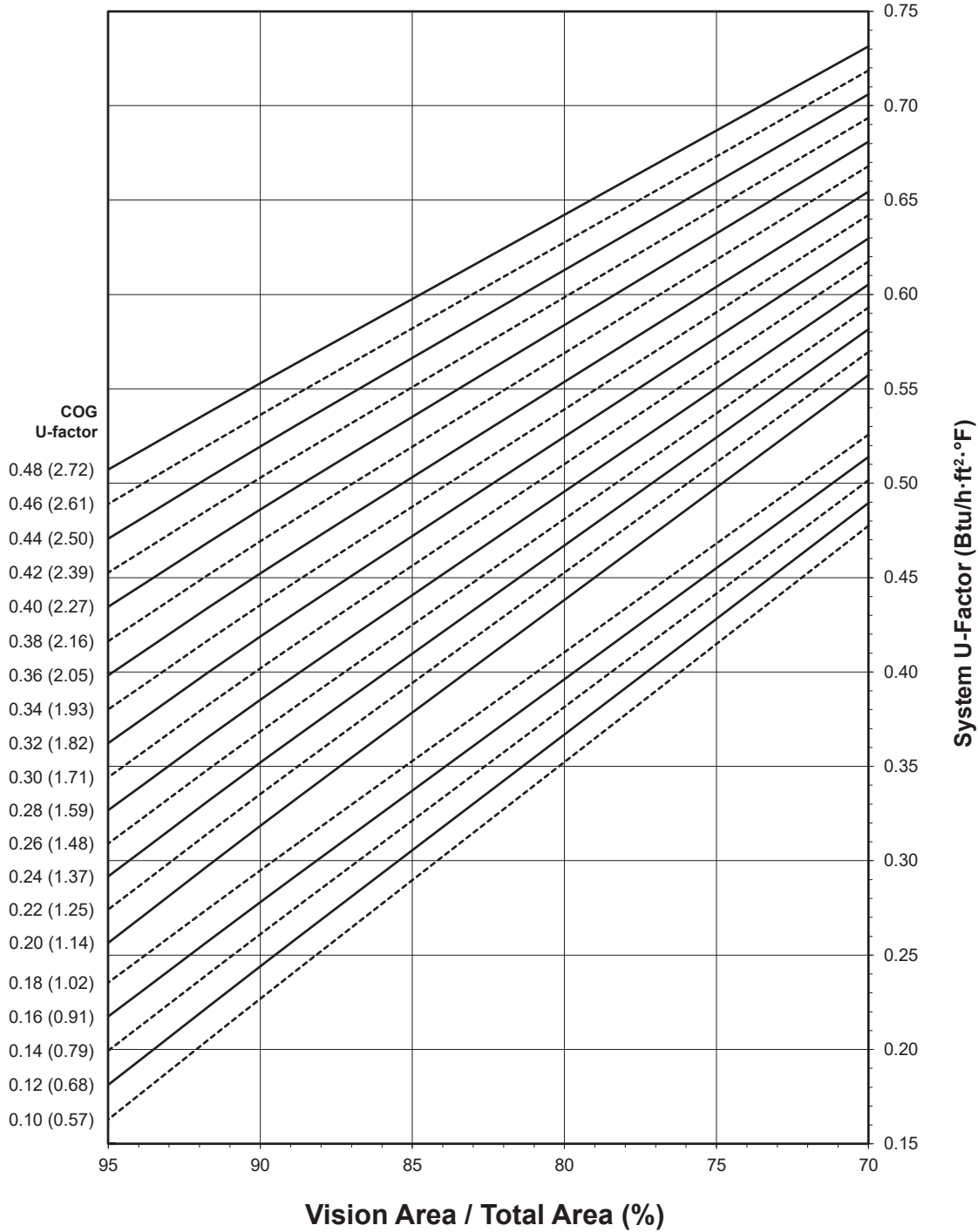
Kawneer reserves the right to change configuration without prior notice when deemed necessary for product improvement.
© 2017, Kawneer Company, Inc.

**FG 601T PG SSG Window Wall
1" Double Glazed - Aluminum Glazing Spacer**

Note:

Values in parentheses are metric.
COG = Center of Glass.
Charts are generated per AAMA 507

System U-Factor for Vision Glass



Notes for System U-factor, SHGC and VT charts:

For glass values that are not listed, linear interpolation is permitted.
Glass properties are based on center of glass values and are obtained from your glass supplier.

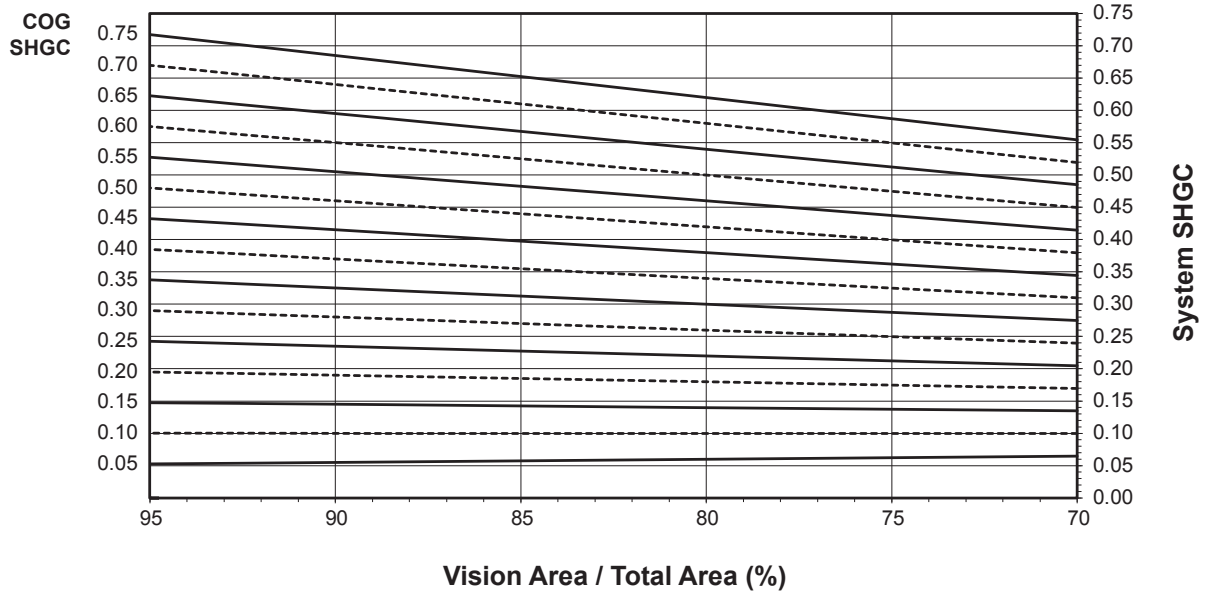
Laws and building and safety codes governing the design and use of Kawneer products, such as glazed entrance, window, and curtain wall products, vary widely. Kawneer does not control the selection of product configurations, operating hardware, or glazing materials, and assumes no responsibility therefor.

Kawneer reserves the right to change configuration without prior notice when deemed necessary for product improvement.

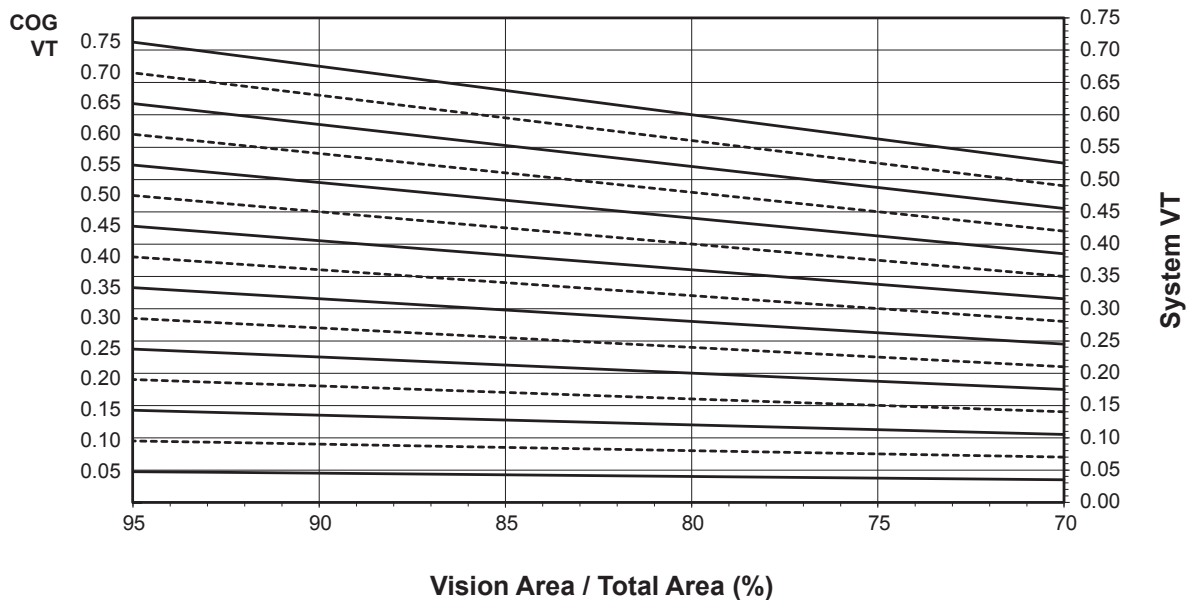
© 2017, Kawneer Company, Inc.

FG 601T PG SSG Window Wall
1" Double Glazed - Aluminum Glazing Spacer

System Solar Heat Gain Coefficient (SHGC) vs Percent of Vision Area



System Visible Transmittance (VT) vs Percent of Vision Area



Laws and building and safety codes governing the design and use of Kawneer products, such as glazed entrance, window, and curtain wall products, vary widely. Kawneer does not control the selection of product configurations, operating hardware, or glazing materials, and assumes no responsibility therefor.

Kawneer reserves the right to change configuration without prior notice when deemed necessary for product improvement.
© 2017, Kawneer Company, Inc.

Thermal Transmittance¹ (BTU/hr • ft² • °F)

Glass U-Factor ³	Overall U-Factor ⁴
0.48	0.56
0.46	0.55
0.44	0.53
0.42	0.52
0.40	0.50
0.38	0.48
0.36	0.47
0.34	0.45
0.32	0.43
0.30	0.42
0.28	0.40
0.26	0.38
0.24	0.37
0.22	0.35
0.20	0.33
0.18	0.31
0.16	0.29
0.14	0.28
0.12	0.26
0.10	0.24

**FG 601T PG SSG Window Wall
1" Double Glazed
Aluminum Glazing Spacer**

NOTE: For glass values that are not listed, linear interpolation is permitted.

1. U-Factors are determined in accordance with NFRC 100.
2. SHGC and VT values are determined in accordance with NFRC 200.
3. Glass properties are based on center of glass values and are obtained from your glass supplier.
4. Overall U-Factor, SHGC, and VT Matricies are based on the standard NFRC specimen size of 2,000 mm wide by 2,000 mm high (78-3/4" by 78-3/4").

SHGC Matrix²

Glass SHGC ³	Overall SHGC ⁴
0.75	0.68
0.70	0.63
0.65	0.59
0.60	0.54
0.55	0.50
0.50	0.45
0.45	0.41
0.40	0.37
0.35	0.32
0.30	0.28
0.25	0.23
0.20	0.19
0.15	0.14
0.10	0.10
0.05	0.06

Visible Transmittance²

Glass VT ³	Overall VT ⁴
0.75	0.67
0.70	0.62
0.65	0.58
0.60	0.53
0.55	0.49
0.50	0.44
0.45	0.40
0.40	0.35
0.35	0.31
0.30	0.27
0.25	0.22
0.20	0.18
0.15	0.13
0.10	0.09
0.05	0.04

Laws and building and safety codes governing the design and use of Kawneer products, such as glazed entrance, window, and curtain wall products, vary widely. Kawneer does not control the selection of product configurations, operating hardware, or glazing materials, and assumes no responsibility therefor.

Kawneer reserves the right to change configuration without prior notice when deemed necessary for product improvement.
© 2017, Kawneer Company, Inc.

CONDENSATION RESISTANCE

Glazing Infill	Condensation Resistance Factor (CRF) AAMA 1503		Temperature Index (TI) CSA A440-0	
	Frame	Glass	Frame	Glass
1" Double	76	74	67	67

Laws and building and safety codes governing the design and use of Kawneer products, such as glazed entrance, window, and curtain wall products, vary widely. Kawneer does not control the selection of product configurations, operating hardware, or glazing materials, and assumes no responsibility therefor.

Kawneer reserves the right to change configuration without prior notice when deemed necessary for product improvement.
© 2017, Kawneer Company, Inc.

Laws and building and safety codes governing the design and use of Kawneer products, such as glazed entrance, window, and curtain wall products, vary widely. Kawneer does not control the selection of product configurations, operating hardware, or glazing materials, and assumes no responsibility therefor.

Kawneer reserves the right to change configuration without prior notice when deemed necessary for product improvement.
© 2017, Kawneer Company, Inc.